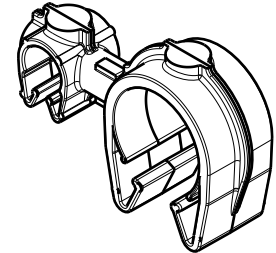
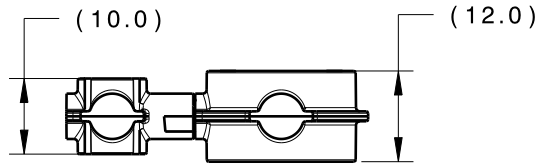
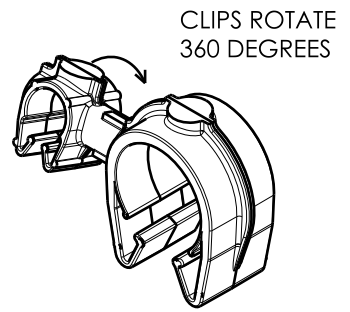
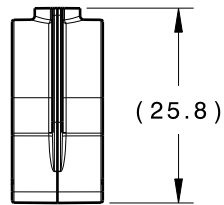
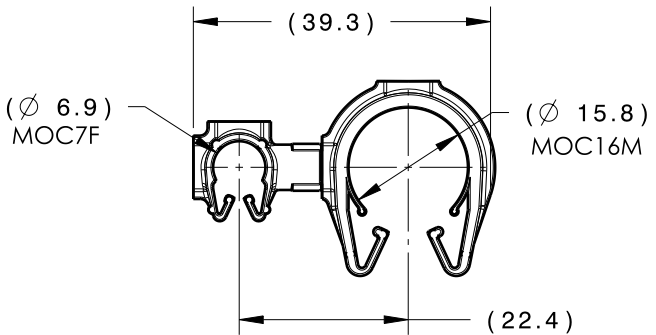


Revision Level			Revision Record	Changed	Date	Approved	Date
Drawing	State	Part					
01.2	DESIGN RELEASE		SEE ECN# 014407	FDS	04/23/18	EJH	04/23/18



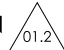
ISOMETRIC VIEW



ISOMETRIC VIEW ROTATED

TYPE	MOC7F	MOC16M
HARNESS	6.5MM-7.5MM	14.0MM-17.0MM
HOSE	6.0MM-7.5MM	14.0MM-17.0MM
HARD PIPE/TUBE	7.0MM-8.0MM	15.9MM-18.3MM

*RECOMMENDED SIZES MAY DIFFER DEPENDING ON THE APPLICATION, PRODUCT REQUIREMENTS AND MATERIALS USED

GLOBAL PART DESCRIPTION 	MOC7F			MOC16M		
	DRAWING	MATERIAL	COLOR	DRAWING	MATERIAL	COLOR
MOC7FMOC16M-PA66HIRHS-BK	16-0315-000-CSU		BLACK	16-0321-000-CSU	PA66HIRHS	BLACK

Material SEE CHART COLOR: SEE CHART	Units millimeters	The copyright of this drawing is reserved by HellermannTyton. It is issued on condition that it is not reproduced, copied or disclosed to a third party, either wholly or in part, without the consent of HellermannTyton.	Drawn	TAT	2/21/17	Article/Type-No	MOC7FMOC16M	Scale	1:1
	Tolerance defined on each dimension		Approved	EJH	2/28/17	Title	 7MM MOC COUPLED TO A 16MM MOC	Project Number	16-0326
			HellermannTyton			Drawing-No	16-0326-251-CSU 	PRODUCTION : Phase	Format
			North America Email: corp@htamericas.com Web: www.hellermann.tyton.com					Sheet	1/1