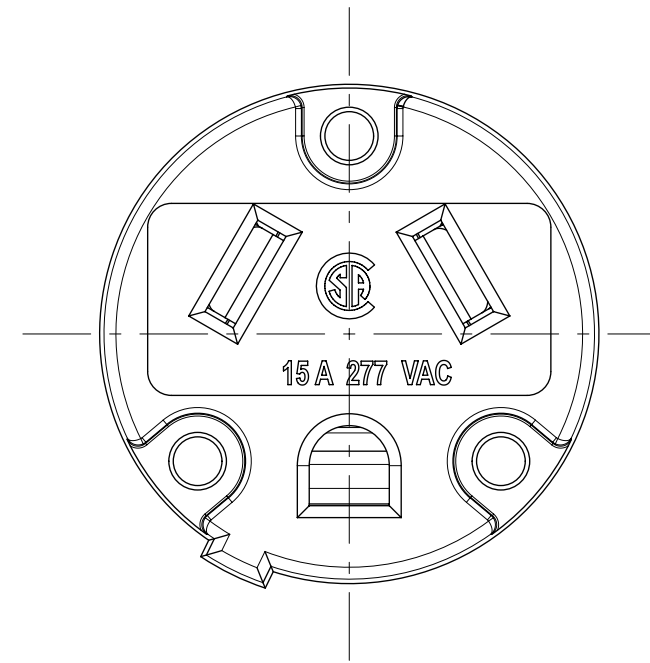
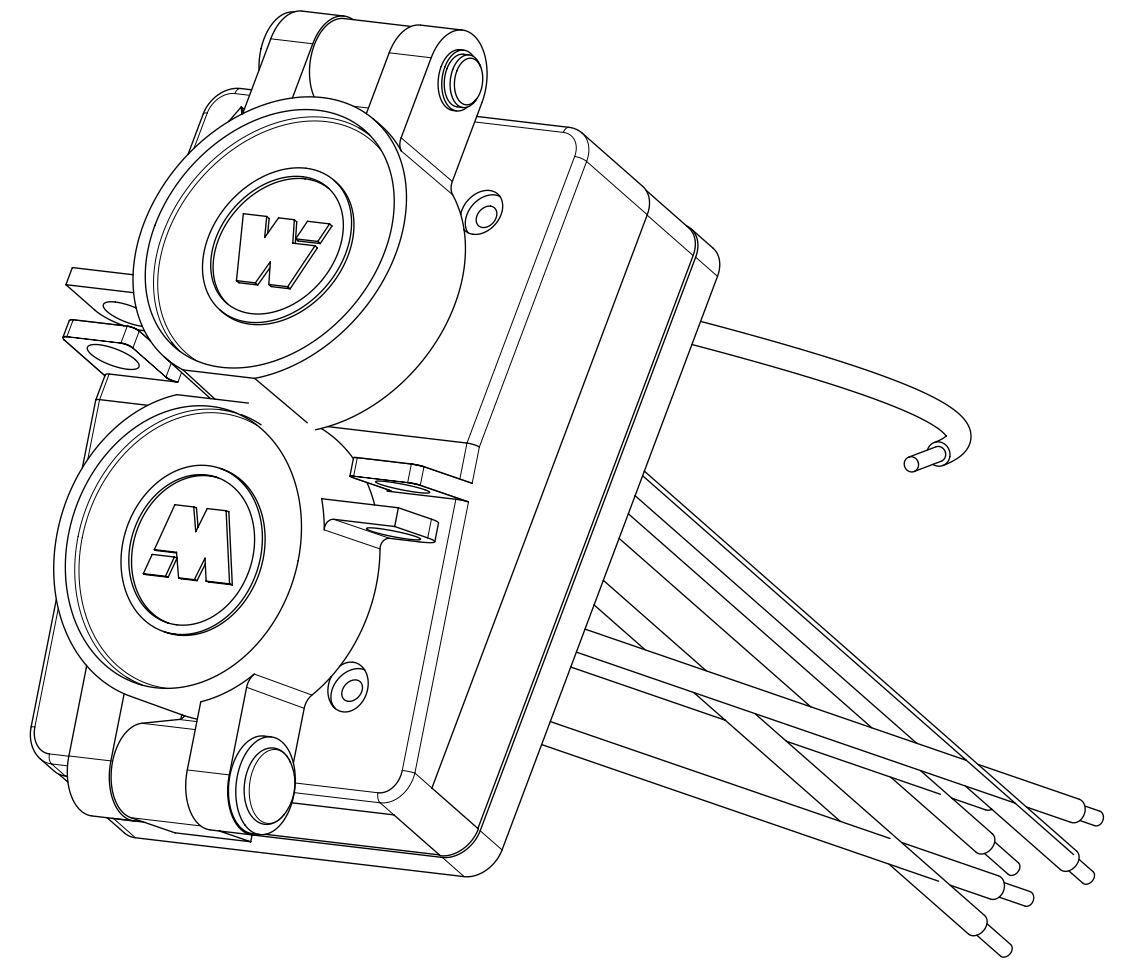
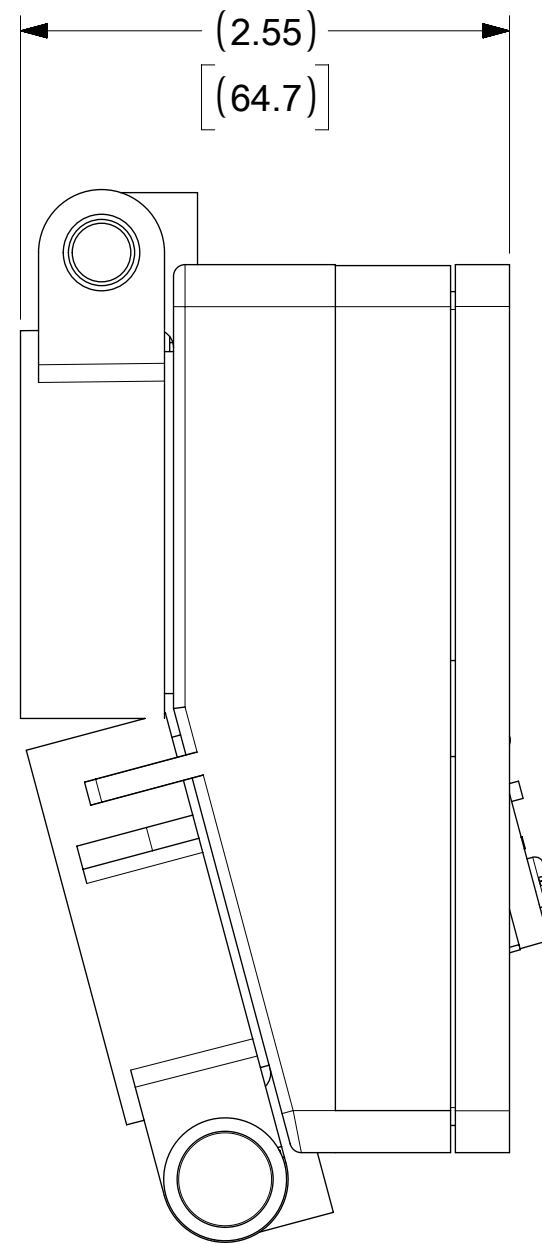
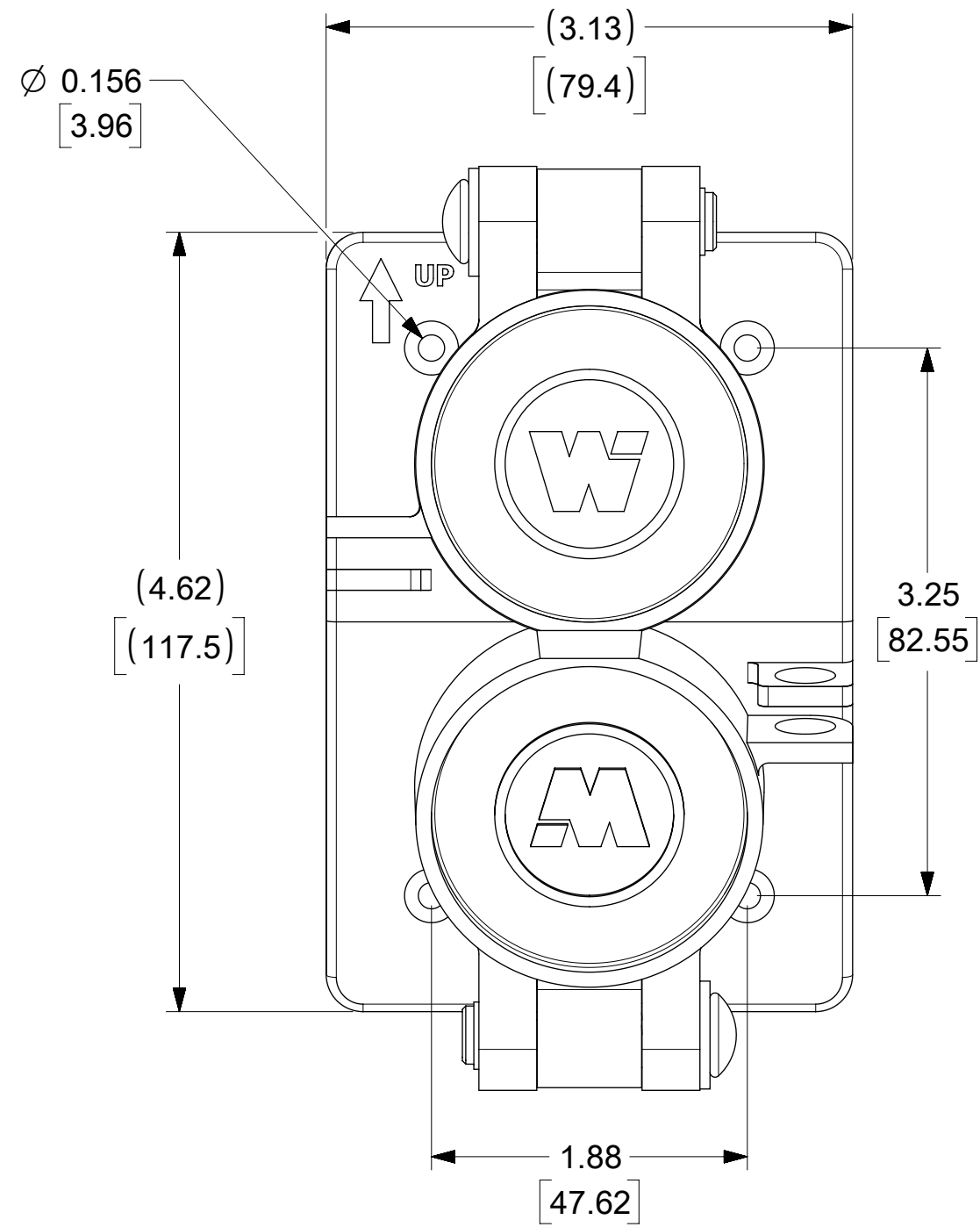
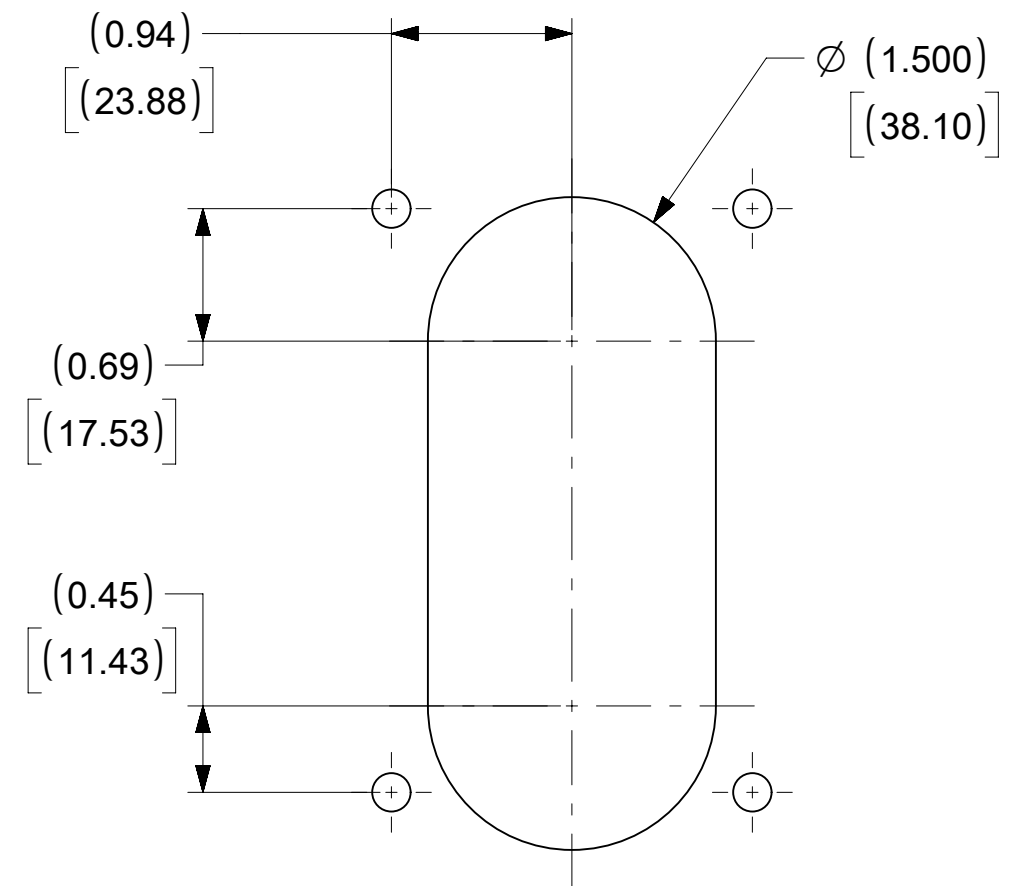


ORDER NO.	WOODHEAD NO.	COLOR
130146-0128	60W34DPLX	YELLOW



FACE VIEW



CLEARANCE HOLE (FOR PANEL MOUNT)

DESCRIPTION	MATERIAL	QTY.
RETAINING SCREWS	STAINLESS STEEL	6
INSERT ASSY	NYLON, BRASS, NICKEL & ZINC PLATED	2
GASKET	NEOPRENE	1
BASE PLATE	POLYCARBONATE	1
COVER FLIP LID	POLYCARBONATE	2
COVER PLATE	STAINLESS STEEL	1
SCREW (GROUND WIRE)	STAINLESS STEEL	1
FLAT WASHER	STAINLESS STEEL	2
RIVET	ALUMINUM	2
TORSION SPRING	STAINLESS STEEL WIRE	2
WASHER	STAINLESS STEEL	2
DOME PUSH CAP	STAINLESS STEEL	2
JUMPER WIRE ASSY	COPPER, BRASS (TINNED FINISH)	1
#12-1 BLACK WIRE	COPPER WIRE	2
#12-1 WHITE WIRE	COPPER WIRE	2
#12-1 GREEN WIRE	COPPER WIRE	2

THIS DRAWING CONTAINS INFORMATION THAT IS PROPRIETARY TO MOLEX ELECTRONIC TECHNOLOGIES, LLC AND SHOULD NOT BE USED WITHOUT WRITTEN PERMISSION										
SYMBOLS		DIMENSION UNITS		SCALE		CURRENT REV DESC: MIGRATE TO NX/ECTR				
▽ = 0	INCH	[MM]	NTS							
▽ = 0	GENERAL TOLERANCES (UNLESS SPECIFIED)									
▽ = 0		MM	INCH							
▽ = 0	4 PLACES	±	±			EC NO: 613190				
▽ = 0	3 PLACES	±	±			DRWN: SRPATIL 2019/01/04				
▽ = 0	2 PLACES	±	±			CHK'D: DNGUYEN62 2019/03/07				
▽ = 0	1 PLACE	±	±			APPR: HKNEELAND 2019/03/30				
▽ = 0	0 PLACES	±	±			INITIAL REVISION:				
▽ = 0	ANGULAR TOL ± °					DRWN: SRPATIL 2019/01/04				
▽ = 0	DRAFT WHERE APPLICABLE MUST REMAIN WITHIN DIMENSIONS					APPR: HKNEELAND 2019/03/30				
▽ = 0	THIRD ANGLE PROJECTION		DRAWING		SERIES		MATERIAL NUMBER			
▽ = 0	C-SIZE		130146		SEE TABLE		CUSTOMER			
							DOC TYPE		DOC PART	REVISION
							PSD		000	A
							GENERAL MARKET		SHEET NUMBER	
							1 OF 1			

DOCUMENT STATUS	P1	RELEASE DATE	2019/03/30	22:50:37
-----------------	----	--------------	------------	----------