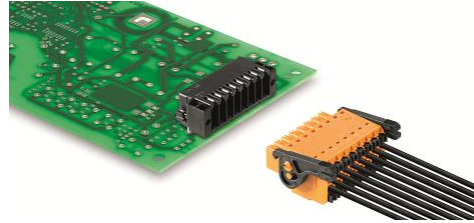


Redesign – Female plug B2CF 3.50/./180..

Initial situation

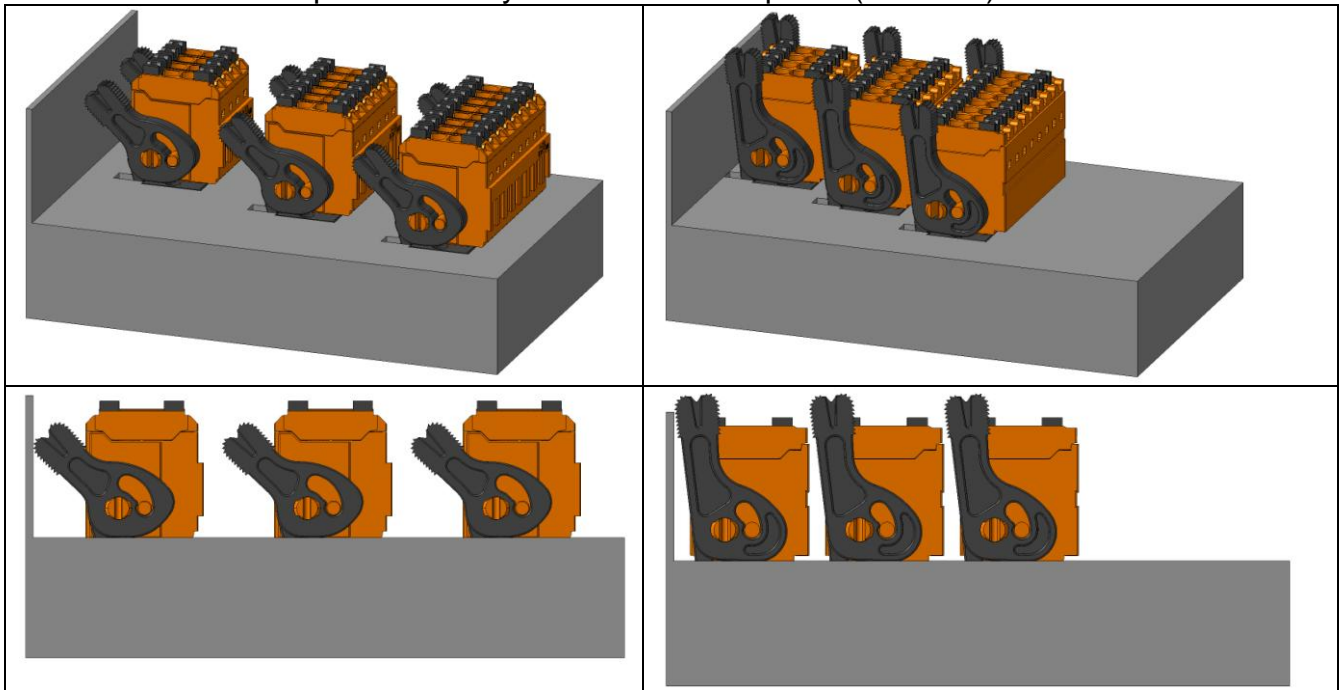
In order to continually improve our products and to meet the increasing market requirements we have revised the design of our female plug connector system OMNIMATE Signal pitch 3.50 mm (double-row).



Pic.1: S2C-SMT 3.50/./90.. | B2CF 3.50/./180LR..

Technical change

1. Compared with the previous, the new lock & release lever is designed much flatter and it is therefore no longer beyond the upper edge of connector. Due to this compact design more connectors can be placed side by side on the front panel (see Pic2).



Pic.2: Old - B2CF 3.50/./180LR

New - B2CF 3.50/./180LR

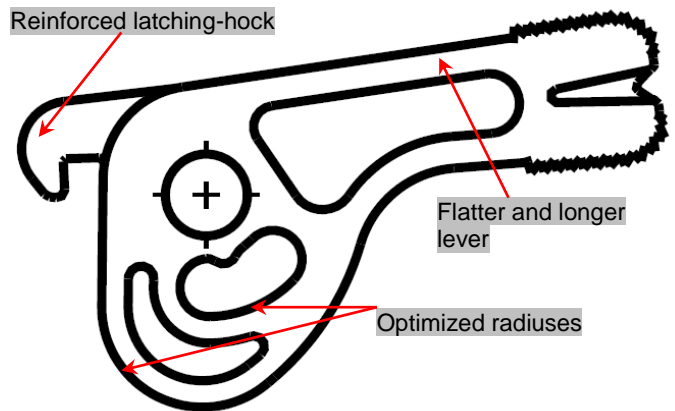
Other benefits of optimized lock & release lever:

- The lock & release lever latches automatically during insertion. Subsequent locking after plugging is not necessary.
- Higher leverage makes the disconnection of plug easier.
- Improved handling in confined spaces by a longer lever.
- When the lever is actuated, the female connector is released more gently from the component assembly. This is particular important in case of extreme ambient temperatures.
- When the lock & release lever is locked, the reinforced latching-hock increases the maximum pull-out force and avoids an inadvertent disconnection of the plug.

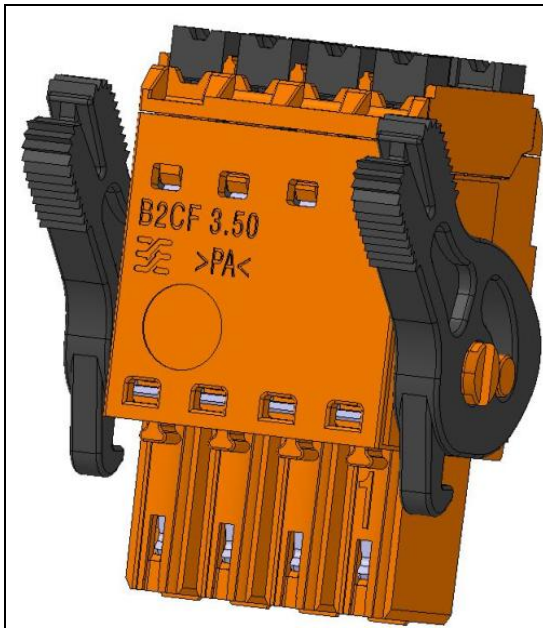
Note:

The same lock & release levers are already being used successfully in female plug connector system OMNIMATE signal 3.50mm (BL 3.50/././180LR; BLZF 3.50/././180LR; BL-I/O 3.50/././180LR).

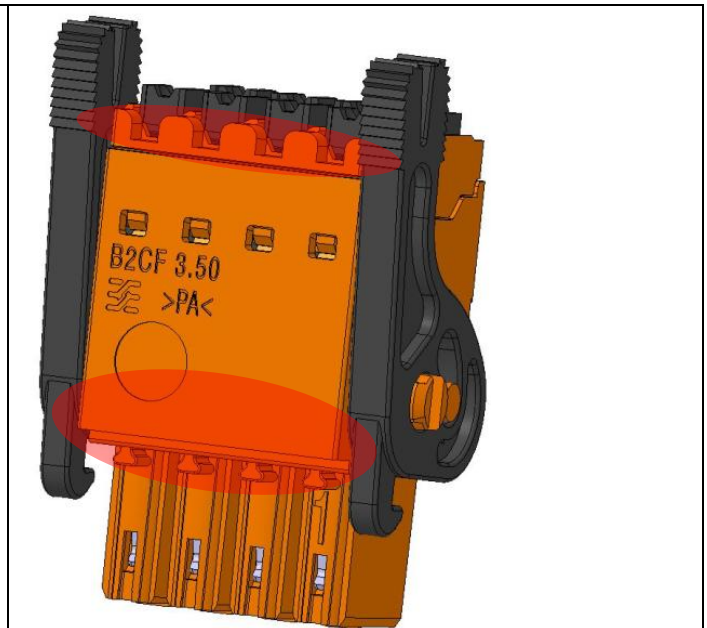
2. In order to optimize the interference resistance against discharges of static electricity the design-related openings on the plastic housing are now closed. In addition, several contours are revised and the fixing area for the optional strain relief is modified. The use of the existing strain relief (from 6 poles: orange 1629680000, black 1627820000 | from 16 poles: orange 1629690000, black 1627830000) is replaced by a substance-to-substance welded strain relief. There will be separate Order-No. in future.



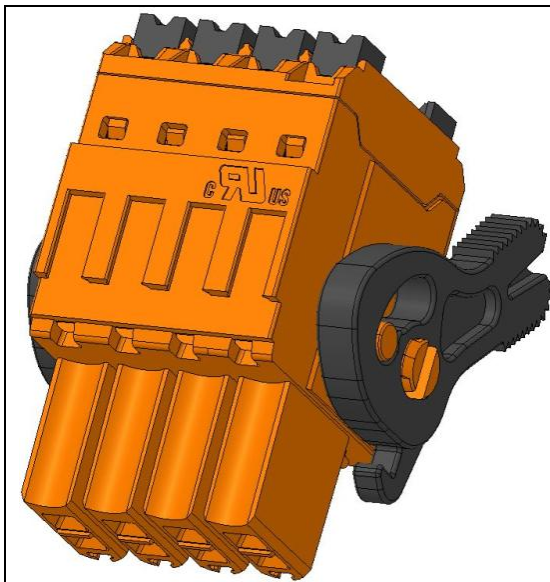
Pic.3: Details of optimized lock & release lever



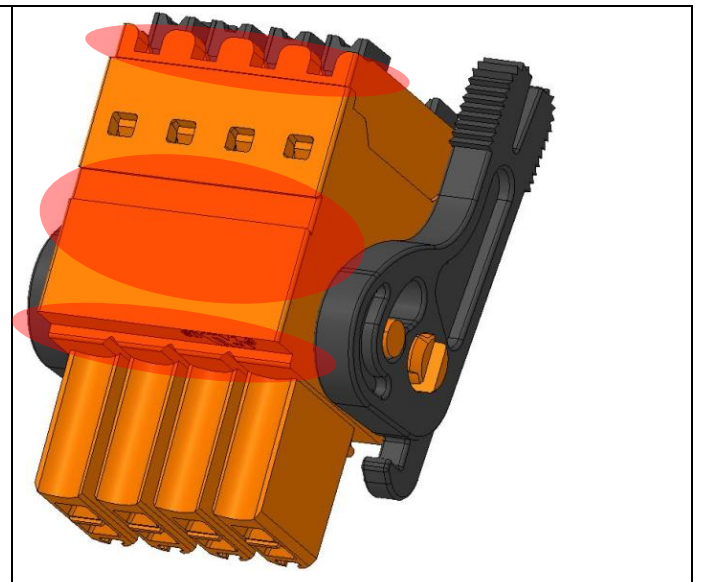
Pic.4: Old - B2CF 3.50../180 (top side)



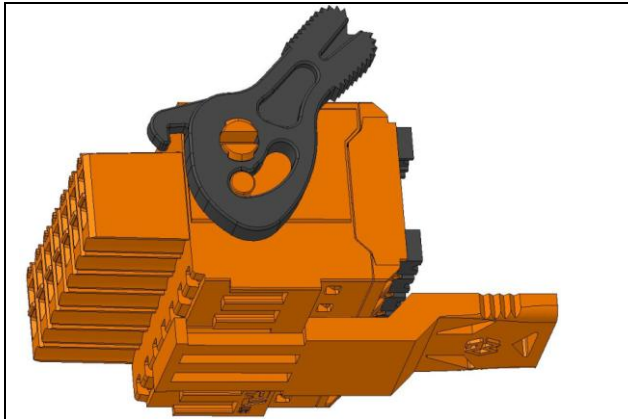
New - B2CF 3.50../180 (modified housing and LR)



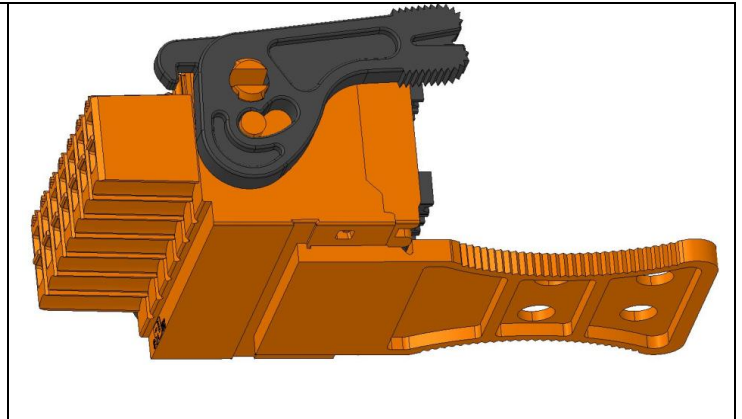
Pic.5: Old - B2CF 3.50../180 (bottom side)



New - B2CF 3.50../180 (with modified contours and intake for strain relief)

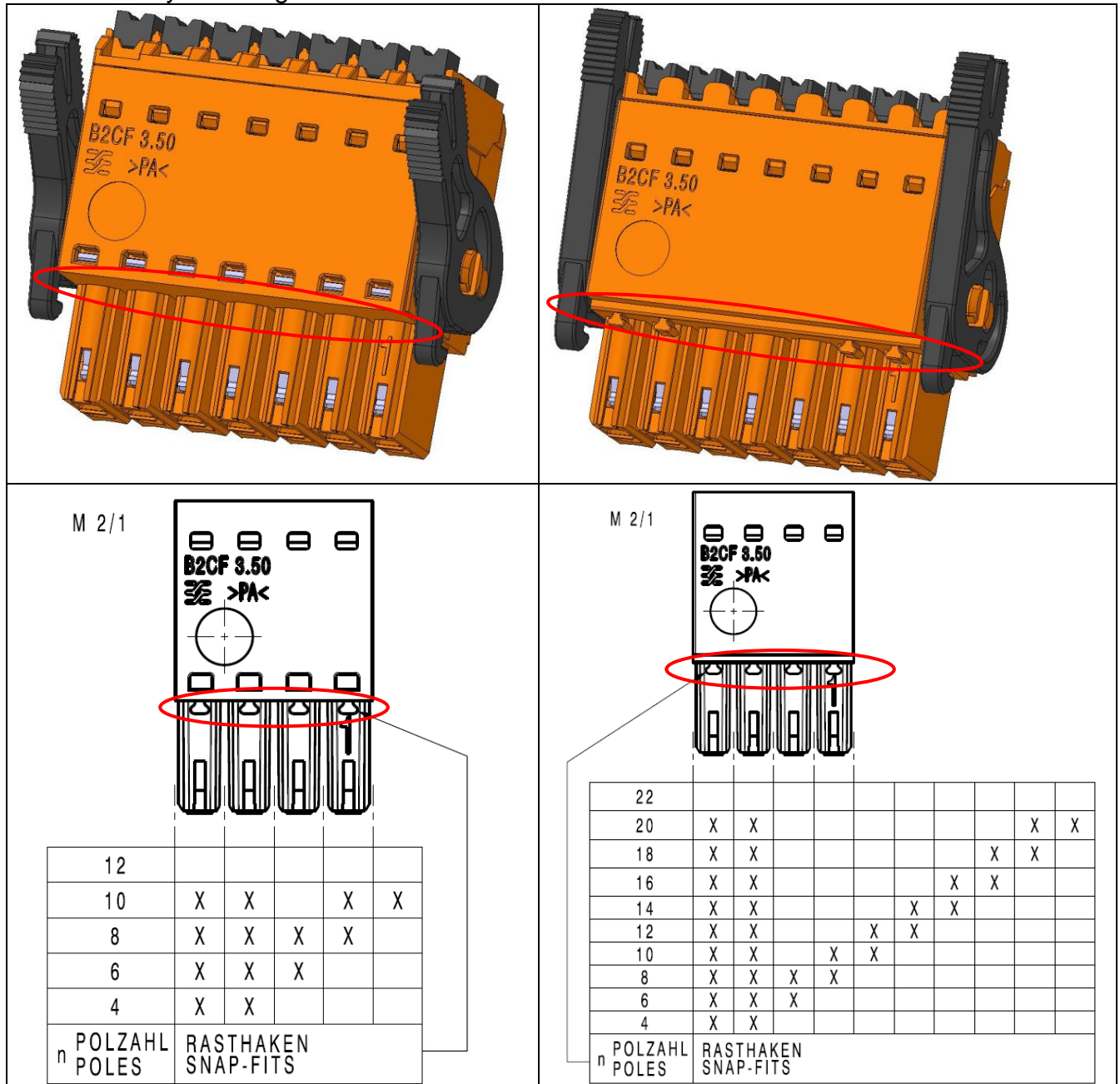


**Pic.6: Old - B2CF 3.50../180LR
with fixed strain relief (1629680000)**



**New - B2CF 3.50../180LR
with welded strain relief**

The following Picture (Pic.7) indicates the quantity and position of the snap-fits. By an optimal interaction between the snap-fits and the decreased contact friction, the plug- and pull force remains virtually unchanged.

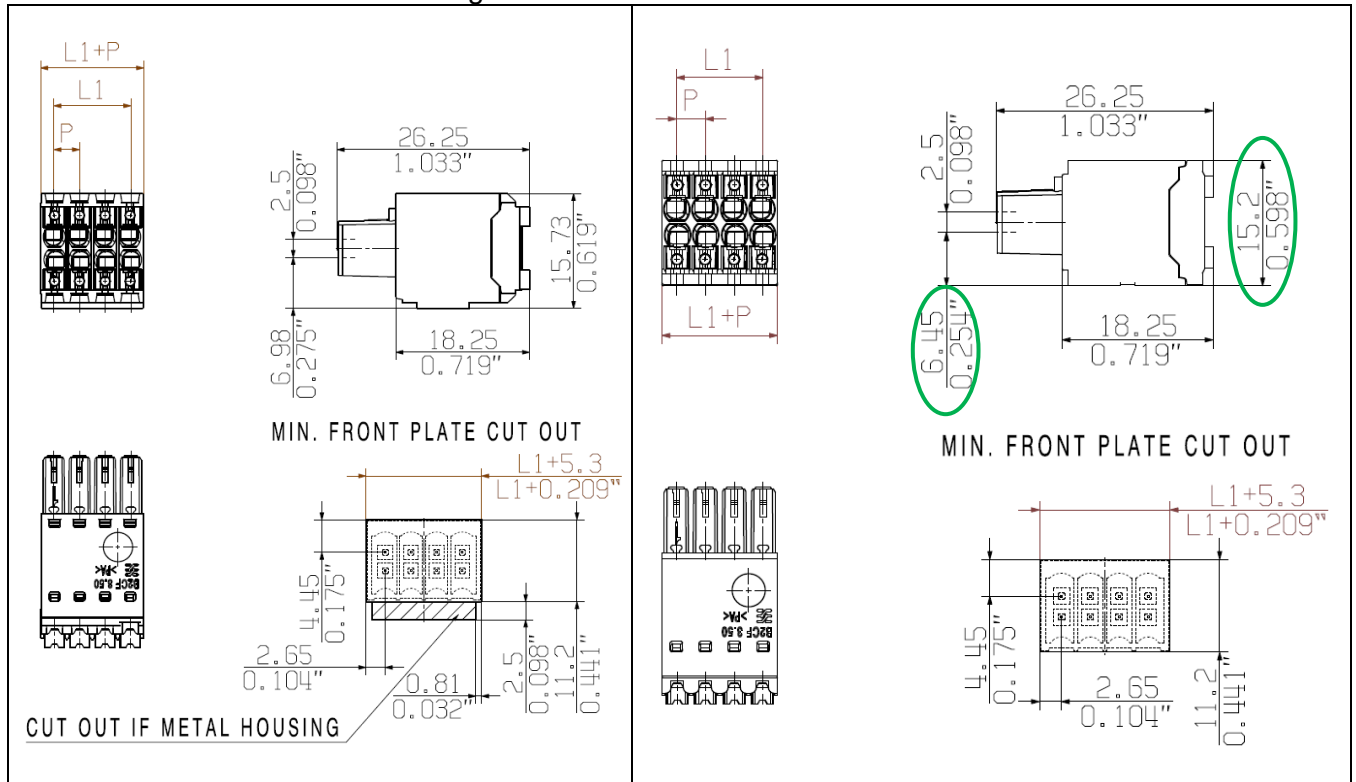


Pic.7: Old - B2CF 3.50../180..
Please note: From 12-pole without snap-fits

New - B2CF 3.50../180..
Please note: From 22-pole without snap-fits

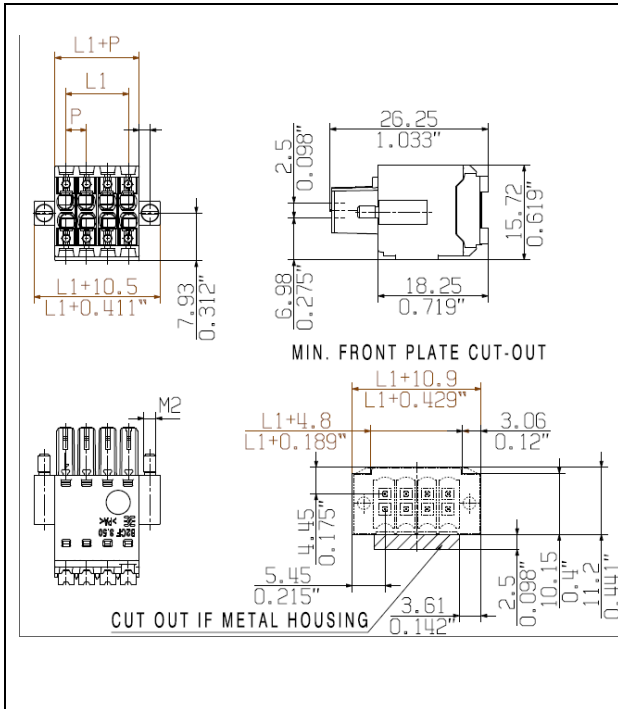
Comparison old/new

- Green = dimension becomes smaller
- Orange = dimension becomes larger (not relevant)
- Red = dimension becomes larger

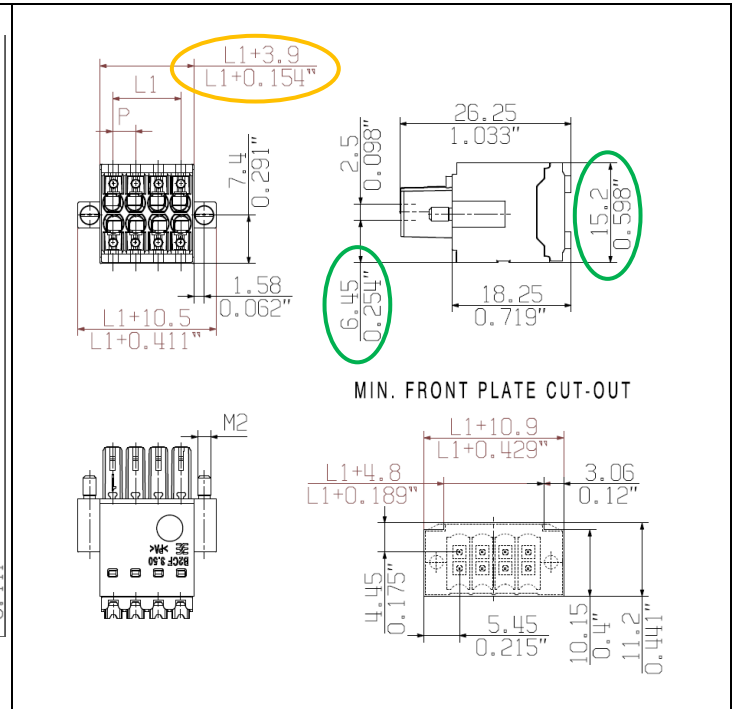


Pic.8: B2CF 3.50../180G old design

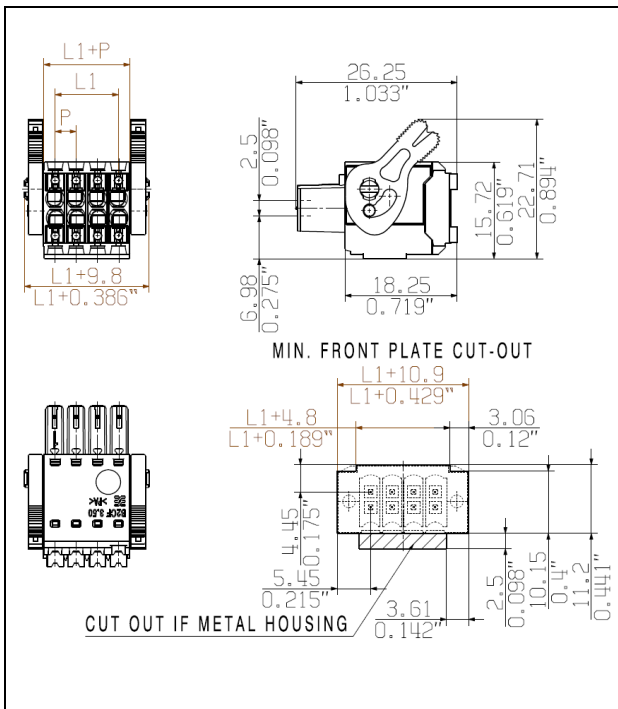
B2CF 3.50../180G new design



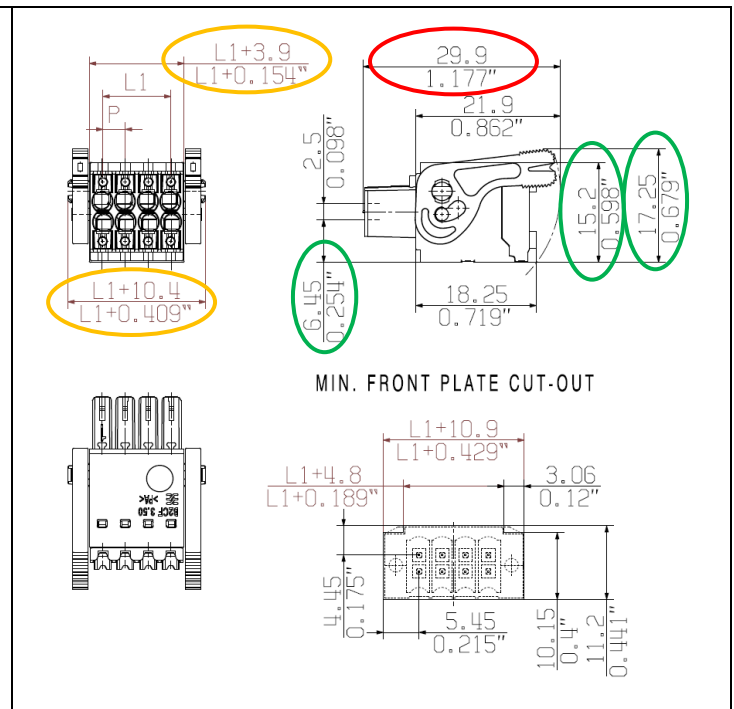
Pic.9: B2CF 3.50../180F old design



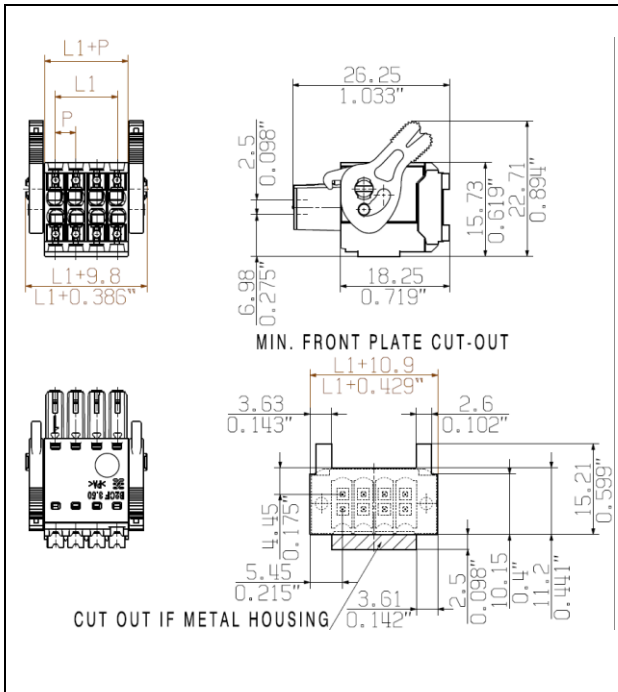
B2CF 3.50../180F new design



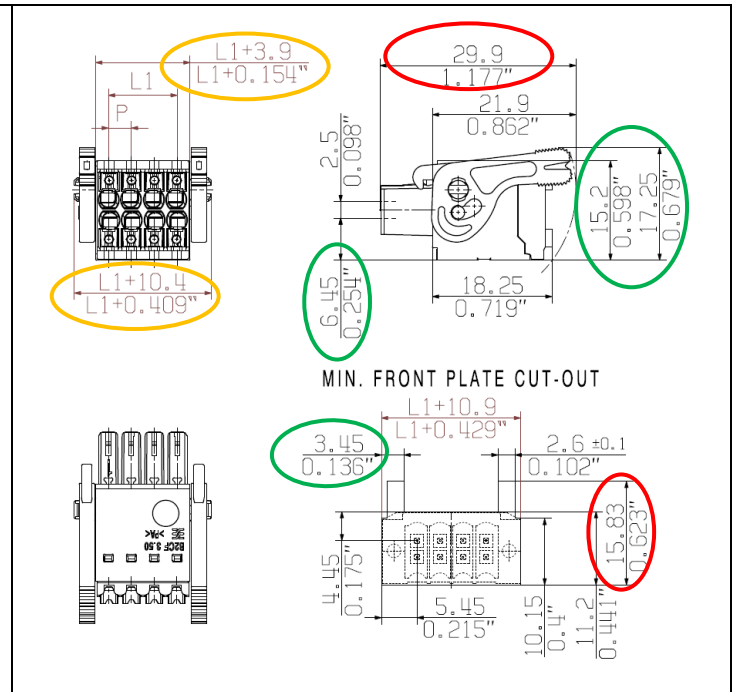
Pic.10: B2CF 3.50../180LH old design



B2CF 3.50../180LH new design



Pic.11: B2CF 3.50../180LR old design



B2CF 3.50../180LR new design

Important Information

- The order-no. won't be changed and remain as before.
- Due to the unchanged order-no. a stock mixing cannot be ruled out. In order to avoid unnecessary costs and negative influence on delivery performance, no inventory clearance takes place. If needed, a stock clean up can be made in individual cases. Therefore please feel free to contact us.
- The changeover will be carried out step by step from cw 31/2015. Please find the exact dates in the spreadsheet 1 (page10).
- The changeover shall be fully completed till cw51/2015.
- The version number (KKZ) is raised up to 8.
- No technical changes were made to the counterparts (S2C-SMT 3.50/./ and S2CD-THR 3.50).
- We will be able to offer the series B2CF 3.50/./180.. (10-pole) with strain relief from cw41/2015. More information will follow shortly.

Effected products

- B2CF 3.50/./180G..
 - B2CF 3.50/./180F..
 - B2CF 3.50/./180LH..
 - B2CF 3.50/./180LR..
- (see spreadsheet 1)

Mit freundlichen Grüßen



Eduard Emisch

Product Support Manager
Signal Connectors 3.xx mm pitch

Weidmüller Interface GmbH & Co. KG
Braunenbrucher Weg 18
32758 Detmold



Dennis Kräft

Head of Productmanagement Device
Connectors

Weidmüller Interface GmbH & Co. KG
Braunenbrucher Weg 18
32758 Detmold

Spreadsheet 1

Order-No.	Description	Available stock (pcs) <small>2015/06/23</small>	Date of change
1277270000	B2CF 3.50/04/180 SN OR BX	528 => 0	cw 25/2015 => 31/2015
1277280000	B2CF 3.50/06/180 SN OR BX	0 => 0	cw 22/2015 => 31/2015
1277290000	B2CF 3.50/08/180 SN OR BX	60 => 123	cw 23/2015 => 31/2015
1277310000	B2CF 3.50/10/180 SN OR BX	0 => 0	cw 22/2015 => 31/2015
1277320000	B2CF 3.50/12/180 SN OR BX	0 => 0	cw 22/2015 => 31/2015
1277330000	B2CF 3.50/14/180 SN OR BX	72 => 0	cw 23/2015 => 31/2015
1277370000	B2CF 3.50/22/180 SN OR BX	0 => 0	cw 22/2015 => 31/2015
1277390000	B2CF 3.50/26/180 SN OR BX	0 => 0	cw 22/2015 => 31/2015
1277410000	B2CF 3.50/28/180 SN OR BX	0 => 0	cw 22/2015 => 31/2015
1277420000	B2CF 3.50/30/180 SN OR BX	0 => 0	cw 22/2015 => 31/2015
1277440000	B2CF 3.50/34/180 SN OR BX	0 => 0	cw 22/2015 => 31/2015
1277450000	B2CF 3.50/36/180 SN OR BX	9 => 0	cw 42/2015 => 31/2015
1277540000	B2CF 3.50/18/180 SN BK BX	108 => 54	cw 23/2015 => 31/2015
1277560000	B2CF 3.50/22/180 SN BK BX	0 => 0	cw 22/2015 => 31/2015
1277570000	B2CF 3.50/24/180 SN BK BX	32 => 0	cw 23/2015 => 31/2015
1277620000	B2CF 3.50/32/180 SN BK BX	0 => 0	cw 22/2015 => 31/2015
1277630000	B2CF 3.50/34/180 SN BK BX	0 => 0	cw 22/2015 => 31/2015
1277670000	B2CF 3.50/06/180F SN OR BX	0 => 0	cw 22/2015 => 31/2015
1277680000	B2CF 3.50/08/180F SN OR BX	19 => 90	cw 23/2015 => 35/2015
1277720000	B2CF 3.50/12/180F SN OR BX	66 => 0	cw 25/2015 => 31/2015
1277770000	B2CF 3.50/22/180F SN OR BX	0 => 0	cw 22/2015 => 31/2015
1277780000	B2CF 3.50/24/180F SN OR BX	0 => 0	cw 22/2015 => 31/2015
1277790000	B2CF 3.50/26/180F SN OR BX	0 => 480	cw 22/2015 => 31/2015
1277820000	B2CF 3.50/30/180F SN OR BX	30 => 0	cw 42/2015 => 31/2015
1277830000	B2CF 3.50/32/180F SN OR BX	0 => 30	cw 22/2015 => 35/2015
1277850000	B2CF 3.50/36/180F SN OR BX	24 => 0	cw 42/2015 => 31/2015
1277870000	B2CF 3.50/06/180F SN BK BX	0 => 0	cw 22/2015 => 31/2015
1277900000	B2CF 3.50/12/180F SN BK BX	15 => 132	cw 23/2015 => 31/2015
1277910000	B2CF 3.50/14/180F SN BK BX	0 => 0	cw 22/2015 => 31/2015
1277930000	B2CF 3.50/18/180F SN BK BX	0 => 0	cw 22/2015 => 31/2015
1277990000	B2CF 3.50/28/180F SN BK BX	0 => 0	cw 22/2015 => 31/2015
1278000000	B2CF 3.50/30/180F SN BK BX	0 => 0	cw 22/2015 => 31/2015
1278020000	B2CF 3.50/34/180F SN BK BX	1 => 1	cw 23/2015 => 31/2015
1278060000	B2CF 3.50/08/180LR SN OR BX	80 => 11	cw 28/2015 => 31/2015
1278110000	B2CF 3.50/18/180LR SN OR BX	48 => 0	cw 42/2015 => 31/2015
1278140000	B2CF 3.50/24/180LR SN OR BX	0 => 0	cw 22/2015 => 31/2015
1278150000	B2CF 3.50/26/180LR SN OR BX	0 => 0	cw 22/2015 => 31/2015
1278170000	B2CF 3.50/28/180LR SN OR BX	0 => 0	cw 22/2015 => 31/2015

1278200000	B2CF 3.50/34/180LR SN OR BX	0 => 0	cw 22/2015 => 31/2015
1278280000	B2CF 3.50/14/180LR SN BK BX	0 => 0	cw 22/2015 => 31/2015
1278310000	B2CF 3.50/20/180LR SN BK BX	19 => 42	cw 23/2015 => 31/2015
1278320000	B2CF 3.50/22/180LR SN BK BX	0 => 0	cw 22/2015 => 31/2015
1278340000	B2CF 3.50/24/180LR SN BK BX	0 => 0	cw 22/2015 => 31/2015
1278350000	B2CF 3.50/26/180LR SN BK BX	0 => 0	cw 22/2015 => 31/2015
1278370000	B2CF 3.50/28/180LR SN BK BX	0 => 0	cw 22/2015 => 31/2015
1278380000	B2CF 3.50/30/180LR SN BK BX	25 => 25	cw 25/2015 => 35/2015
1278400000	B2CF 3.50/34/180LR SN BK BX	0 => 0	cw 22/2015 => 31/2015
1319430000	B2CF 3.50/10/180LH SN BK BX SO	0 => 0	cw 22/2015 => 31/2015
1319440000	B2CF 3.50/16/180LH SN BK BX SO	0 => 0	cw 22/2015 => 31/2015
1319450000	B2CF 3.50/32/180LH SN BK BX SO	0 => 0	cw 22/2015 => 31/2015
1319460000	B2CF 3.50/36/180LH SN BK BX SO	0 => 0	cw 22/2015 => 31/2015
1362190000	B2CF 3.50/04/180LH SN BK BX SO	2501 => 2394	cw 43/2015 => 43/2015
1362210000	B2CF 3.50/10/180LH SN BK BX SO	0 => 2652	cw 22/2015 => 35/2015
1362220000	B2CF 3.50/28/180LH SN BK BX SO	2370 => 2310	cw 32/2015 => 39/2015
1365820000	B2CF 3.50/24/180LH SN OR BX	0 => 0	cw 22/2015 => 31/2015
1367020000	B2CF 3.50/16/180LH SN BK BX SO	378 => 378	cw 30/2015 => 35/2015
1367030000	B2CF 3.50/32/180LH SN BK BX SO	0 => 1410	cw 22/2015 => 35/2015
1375710000	B2CF 3.50/04/180LH SN BK BX	0 => 0	cw 22/2015 => 31/2015
1375720000	B2CF 3.50/06/180LH SN BK BX	0 => 0	cw 22/2015 => 31/2015
1375730000	B2CF 3.50/08/180LH SN BK BX	0 => 0	cw 22/2015 => 31/2015
1375770000	B2CF 3.50/14/180LH SN BK BX	0 => 0	cw 22/2015 => 31/2015
1375790000	B2CF 3.50/18/180LH SN BK BX	0 => 0	cw 22/2015 => 31/2015
1375810000	B2CF 3.50/22/180LH SN BK BX	0 => 0	cw 22/2015 => 31/2015
1375830000	B2CF 3.50/28/180LH SN BK BX	0 => 0	cw 22/2015 => 31/2015
1375840000	B2CF 3.50/30/180LH SN BK BX	0 => 0	cw 22/2015 => 31/2015
1375870000	B2CF 3.50/34/180LH SN BK BX	0 => 0	cw 22/2015 => 31/2015
1375890000	B2CF 3.50/04/180LH SN OR BX	0 => 0	cw 22/2015 => 31/2015
1375910000	B2CF 3.50/08/180LH SN OR BX	0 => 0	cw 22/2015 => 31/2015
1375930000	B2CF 3.50/12/180LH SN OR BX	0 => 0	cw 22/2015 => 31/2015
1375980000	B2CF 3.50/20/180LH SN OR BX	0 => 0	cw 22/2015 => 31/2015
1376000000	B2CF 3.50/26/180LH SN OR BX	0 => 0	cw 22/2015 => 31/2015
1376010000	B2CF 3.50/28/180LH SN OR BX	0 => 0	cw 22/2015 => 31/2015
1376020000	B2CF 3.50/30/180LH SN OR BX	0 => 0	cw 22/2015 => 31/2015
1376030000	B2CF 3.50/32/180LH SN OR BX	0 => 0	cw 22/2015 => 31/2015
1376040000	B2CF 3.50/34/180LH SN OR BX	0 => 0	cw 22/2015 => 31/2015
1376050000	B2CF 3.50/36/180LH SN OR BX	0 => 0	cw 22/2015 => 31/2015
1376390000	B2CF 3.50/16/180LH SN BK BX SO	0 => 0	cw 22/2015 => 31/2015
1389100000	B2CF 3.50/20/180LH SN OR BX SO	0 => 0	cw 22/2015 => 31/2015
1397090000	B2CF 3.50/20/180LH SN BK BX SO	0 => 0	cw 22/2015 => 31/2015

1397100000	B2CF 3.50/32/180LH SN BK BX SO	0 => 0	cw 22/2015 => 31/2015
1409910000	B2CF 3.50/08/180LH SN BK BX SO	0 => 0	cw 22/2015 => 31/2015
1431140000	B2CF 3.50/10/180LH SN BK BX SO	0 => 0	cw 22/2015 => 31/2015
1449810000	B2CF 3.50/24/180 SN BK BX PRT	0 => 504	cw 22/2015 => 35/2015
1456480000	B2CF 3.50/08/180LH SN BK BX SO	0 => 0	cw 22/2015 => 31/2015
1456490000	B2CF 3.50/10/180LH SN BK BX SO	0 => 0	cw 22/2015 => 31/2015
1460020000	B2CF 3.50/10/180 AU BK BX SO	102 => 4182	cw 23/2015 => 51/2015
1460030000	B2CF 3.50/16/180 AU RD BX SO	46 => 706	cw 27/2015 => 39/2015
1460180000	B2CF 3.50/06/180LH SN BK BX SO	0 => 0	cw 22/2015 => 31/2015
1462000000	B2CF 3.50/10/180 AU BK BX SO	0 => 5082	cw 22/2015 => 51/2015
1477270000	B2CF 3.50/08/180LH SN BK BX SO	0 => 0	cw 22/2015 => 31/2015
1477280000	B2CF 3.50/12/180LH SN BK BX SO	0 => 0	cw 22/2015 => 31/2015
1491240000	B2CF 3.50/16/180F SN BK BX SO	0 => 0	cw 22/2015 => 31/2015
1491250000	B2CF 3.50/20/180F SN BK BX SO	0 => 0	cw 22/2015 => 31/2015
1519900000	B2CF 3.50/06/180LR AU BK BX	0 => 1512	cw 22/2015 => 51/2015
1519920000	B2CF 3.50/12/180LR AU BK BX	0 => 1056	cw 22/2015 => 51/2015
1535020000	B2CF 3.50/06/180LH SN BK BX SO	0 => 0	cw 22/2015 => 31/2015
1537910000	B2CF 3.50/20/180LH SN BK BX SO	0 => 0	cw 22/2015 => 31/2015
1538270000	B2CF 3.50 SET BOSCH R911173648 AA1	0 => 0	cw 22/2015 => 31/2015
1547100000	B2CF 3.50/30/180LH SN BK BX PRT	0 => 0	cw 22/2015 => 31/2015
1552420000	SET B2CF 3.50 REDUZ	0 => 200	cw 22/2015 => 47/2015
1552940000	B2CF 3.50/16/180F SN BK BX SO	0 => 0	cw 22/2015 => 31/2015
1552970000	B2CF 3.50/32/180F SN BK BX SO	0 => 0	cw 22/2015 => 31/2015
1993830000	B2CF 3.50/04/180F AU BK BX	0 => 0	cw 22/2015 => 31/2015
1994640000	B2CF 3.50/08/180F SN BK BX PRT	0 => 0	cw 22/2015 => 31/2015
1994650000	B2CF 3.50/12/180F SN BK BX PRT	0 => 0	cw 22/2015 => 31/2015
1994660000	B2CF 3.50/16/180F SN BK BX PRT	0 => 0	cw 22/2015 => 31/2015
1994670000	B2CF 3.50/24/180F SN BK BX PRT	0 => 0	cw 22/2015 => 31/2015
1994840000	B2CF 3.50/10/180 SN OR BX PRT	0 => 0	cw 22/2015 => 31/2015
2000450000	B2CF 3.50/12/180LH SN BK BX SO	0 => 0	cw 22/2015 => 31/2015
2002160000	B2CF 3.50/14/180 SN BK BX PRT	0 => 0	cw 22/2015 => 31/2015
2009400000	B2CF 3.50/14/180LH SN BK BX PRT	0 => 0	cw 22/2015 => 31/2015
1278080000	B2CF 3.50/12/180LR SN OR BX	132 => 198	cw 30/2015 => 51/2015
1277460000	B2CF 3.50/04/180 SN BK BX	264 => 0	cw 26/2015 => 31/2015
1277480000	B2CF 3.50/08/180 SN BK BX	409 => 0	cw 27/2015 => 31/2015
1277530000	B2CF 3.50/16/180 SN BK BX	990 => 0	cw 32/2015 => 31/2015
1277890000	B2CF 3.50/10/180F SN BK BX	0 => 0	cw 22/2015 => 31/2015
1277730000	B2CF 3.50/14/180F SN OR BX	60 => 60	cw 38/2015 => 47/2015
1460200000	B2CF 3.50/36/180LH SN BK BX SO	120 => 120	cw 26/2015 => 47/2015
1375880000	B2CF 3.50/36/180LH SN BK BX	24 => 24	cw 42/2015 => 51/2015
1277350000	B2CF 3.50/18/180 SN OR BX	304 => 216	cw 31/2015 => 51/2015

1277360000	B2CF 3.50/20/180 SN OR BX	1235 => 864	cw 51/2015 => 51/2015
1277470000	B2CF 3.50/06/180 SN BK BX	870 => 174	cw 31/2015 => 35/2015
1277490000	B2CF 3.50/10/180 SN BK BX	353 => 55	cw 36/2015 => 35/2015
1277510000	B2CF 3.50/12/180 SN BK BX	79 => 0	cw 23/2015 => 31/2015
1277520000	B2CF 3.50/14/180 SN BK BX	0 => 0	cw 22/2015 => 31/2015
1277740000	B2CF 3.50/16/180F SN OR BX	108 => 108	cw 28/2015 => 47/2015
1277760000	B2CF 3.50/20/180F SN OR BX	42 => 0	cw 24/2015 => 31/2015
1277810000	B2CF 3.50/28/180F SN OR BX	1068 => 1068	cw 51/2015 => 51/2015
1277840000	B2CF 3.50/34/180F SN OR BX	24 => 24	cw 42/2015 => 51/2015
1277860000	B2CF 3.50/04/180F SN BK BX	236 => 0	cw 29/2015 => 31/2015
1277880000	B2CF 3.50/08/180F SN BK BX	270 => 0	cw 34/2015 => 31/2015
1277920000	B2CF 3.50/16/180F SN BK BX	34 => 108	cw 24/2015 => 31/2015
1277940000	B2CF 3.50/20/180F SN BK BX	334 => 126	cw 44/2015 => 51/2015
1277950000	B2CF 3.50/22/180F SN BK BX	0 => 0	cw 22/2015 => 31/2015
1277970000	B2CF 3.50/24/180F SN BK BX	0 => 0	cw 22/2015 => 31/2015
1277980000	B2CF 3.50/26/180F SN BK BX	90 => 60	cw 46/2015 => 51/2015
1278010000	B2CF 3.50/32/180F SN BK BX	30 => 0	cw 24/2015 => 31/2015
1278030000	B2CF 3.50/36/180F SN BK BX	24 => 0	cw 23/2015 => 31/2015
1278040000	B2CF 3.50/04/180LR SN OR BX	336 => 213	cw 51/2015 => 51/2015
1278050000	B2CF 3.50/06/180LR SN OR BX	108 => 0	cw 42/2015 => 31/2015
1278070000	B2CF 3.50/10/180LR SN OR BX	156 => 78	cw 42/2015 => 51/2015
1278100000	B2CF 3.50/16/180LR SN OR BX	3864 => 3132	cw 51/2015 => 51/2015
1278190000	B2CF 3.50/32/180LR SN OR BX	0 => 0	cw 22/2015 => 31/2015
1278210000	B2CF 3.50/36/180LR SN OR BX	93 => 69	cw 42/2015 => 51/2015
1278230000	B2CF 3.50/04/180LR SN BK BX	138 => 138	cw 38/2015 => 51/2015
1278250000	B2CF 3.50/08/180LR SN BK BX	0 => 90	cw 22/2015 => 47/2015
1278270000	B2CF 3.50/12/180LR SN BK BX	0 => 0	cw 22/2015 => 31/2015
1278290000	B2CF 3.50/16/180LR SN BK BX	254 => 54	cw 29/2015 => 35/2015
1278300000	B2CF 3.50/18/180LR SN BK BX	96 => 96	cw 42/2015 => 51/2015
1278390000	B2CF 3.50/32/180LR SN BK BX	120 => 90	cw 51/2015 => 51/2015
1278410000	B2CF 3.50/36/180LR SN BK BX	336 => 72	cw 42/2015 => 35/2015
1367040000	B2CF 3.50/36/180LH SN BK BX SO	1128 => 1128	cw 42/2015 => 51/2015
1375740000	B2CF 3.50/10/180LH SN BK BX	166 => 0	cw 42/2015 => 31/2015
1375750000	B2CF 3.50/12/180LH SN BK BX	66 => 66	cw 24/2015 => 31/2015
1375780000	B2CF 3.50/16/180LH SN BK BX	54 => 54	cw 42/2015 => 51/2015
1375820000	B2CF 3.50/26/180LH SN BK BX	108 => 108	cw 42/2015 => 51/2015
1375850000	B2CF 3.50/32/180LH SN BK BX	30 => 30	cw 37/2015 => 51/2015
1375920000	B2CF 3.50/10/180LH SN OR BX	0 => 0	cw 22/2015 => 31/2015
1375940000	B2CF 3.50/14/180LH SN OR BX	60 => 0	cw 42/2015 => 31/2015
1375950000	B2CF 3.50/16/180LH SN OR BX	270 => 270	cw 42/2015 => 51/2015
1375990000	B2CF 3.50/22/180LH SN OR BX	108 => 66	cw 42/2015 => 51/2015
1376380000	B2CF 3.50/10/180LH SN BK BX SO	312 => 312	cw 42/2015 => 51/2015

1376400000	B2CF 3.50/20/180LH SN BK BX SO	1470 => 1470	cw 42/2015 => 51/2015
1397080000	B2CF 3.50/20/180LH SN BK BX SO	211 => 252	cw 42/2015 => 51/2015
1446980000	B2CF 3.50/08/180LR SN BK BX PRT	877 => 810	cw 42/2015 => 51/2015
1447010000	B2CF 3.50/16/180LR SN BK BX PRT	1080 => 1080	cw 42/2015 => 51/2015
1447020000	B2CF 3.50/24/180LR SN BK BX PRT	504 => 504	cw 51/2015 => 51/2015
1449730000	B2CF 3.50/30/180LH SN BK BX PRT	180 => 0	cw 28/2015 => 31/2015
1551300000	B2CF 3.50/10/180F SN BK BX PRT	0 => 0	cw 22/2015 => 31/2015
1551320000	B2CF 3.50/04/180F SN BK BX PRT	0 => 0	cw 22/2015 => 31/2015
1278180000	B2CF 3.50/30/180LR SN OR BX	0 => 0	cw 22/2015 => 31/2015
1460190000	B2CF 3.50/10/180LH SN BK BX SO	78 => 78	cw 24/2015 => 51/2015
1278260000	B2CF 3.50/10/180LR SN BK BX	78 => 0	cw 24/2015 => 31/2015
1477290000	B2CF 3.50/24/180LH SN BK BX SO	0 => 0	cw 22/2015 => 31/2015
1277550000	B2CF 3.50/20/180 SN BK BX	240 => 0	cw 25/2015 => 31/2015
1277580000	B2CF 3.50/26/180 SN BK BX	30 => 0	cw 29/2015 => 31/2015
1540310000	B2CF 3.50/10/180F SN BK BX SO	72 => 72	cw 38/2015 => 47/2015
1551310000	B2CF 3.50/08/180F SN BK BX PRT	0 => 0	cw 22/2015 => 31/2015
1277650000	B2CF 3.50/04/180F SN OR BX	163 => 104	cw 45/2015 => 51/2015
1278130000	B2CF 3.50/22/180LR SN OR BX	0 => 0	cw 22/2015 => 31/2015
1375900000	B2CF 3.50/06/180LH SN OR BX	0 => 0	cw 22/2015 => 31/2015
1447000000	B2CF 3.50/12/180LR SN BK BX PRT	528 => 528	cw 42/2015 => 51/2015
1277640000	B2CF 3.50/36/180 SN BK BX	0 => 20	cw 22/2015 => 43/2015
1277380000	B2CF 3.50/24/180 SN OR BX	0 => 0	cw 22/2015 => 31/2015
1278090000	B2CF 3.50/14/180LR SN OR BX	360 => 480	cw 46/2015 => 51/2015
1277750000	B2CF 3.50/18/180F SN OR BX	384 => 0	cw 51/2015 => 31/2015
1277610000	B2CF 3.50/30/180 SN BK BX	0 => 0	cw 22/2015 => 31/2015
1278120000	B2CF 3.50/20/180LR SN OR BX	0 => 0	cw 22/2015 => 31/2015
1277340000	B2CF 3.50/16/180 SN OR BX	15048 => 6336	cw 39/2015 => 35/2015
1277690000	B2CF 3.50/10/180F SN OR BX	5 => 216	cw 23/2015 => 51/2015
1362200000	B2CF 3.50/06/180LH SN BK BX SO	1210 => 2160	cw 28/2015 => 35/2015
1375970000	B2CF 3.50/18/180LH SN OR BX	30 => 0	cw 42/2015 => 31/2015
1456500000	B2CF 3.50/16/180LH SN BK BX SO	1080 => 1188	cw 51/2015 => 51/2015
1456510000	B2CF 3.50/20/180LH SN BK BX SO	1525 => 1470	cw 51/2015 => 51/2015
1456520000	B2CF 3.50/20/180LH SN BK BX SO	732 => 966	cw 51/2015 => 51/2015
1537010000	B2CF 3.50/16/180F SN BK BX SO	216 => 108	cw 51/2015 => 51/2015
1537030000	B2CF 3.50/20/180F SN BK BX SO	336 => 504	cw 51/2015 => 51/2015
1537040000	B2CF 3.50/20/180F SN BK BX SO	714 => 1050	cw 51/2015 => 51/2015
1277430000	B2CF 3.50/32/180 SN OR BX	0 => 0	cw 22/2015 => 31/2015
1278240000	B2CF 3.50/06/180LR SN BK BX	0 => 0	cw 22/2015 => 31/2015
1372870000	B2CF 3.50/24/180LH SN BK BX	756 => 756	cw 46/2015 => 51/2015
1277590000	B2CF 3.50/28/180 SN BK BX	36 => 0	cw 25/2015 => 31/2015
1375800000	B2CF 3.50/20/180LH SN BK BX	0 => 0	cw 22/2015 => 31/2015