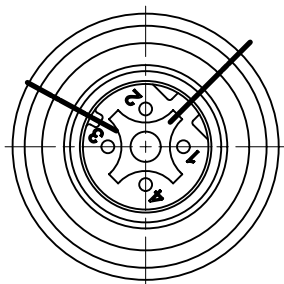


M12 4 POLE MALE



VIEW FROM THE FRONT SIDE

Pin	Wire color
1	WH/OG
2	WH/GN
3	OG
4	GN

PART No. MATRIX

E W W A 0 6 2 1 5 M X X X

E=ETHERNET

HEADS:
W=M12 4-Pole Ultra Lock D-Coding
W=M12 4-Pole Ultra Lock D-Coding

HEADS STYLE:
062=MALE STR / MALE RA

UNITS:
M=METER
T=10x METER

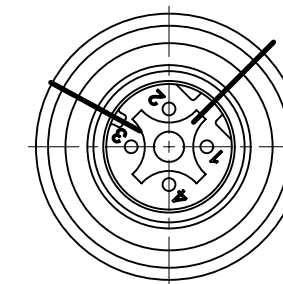
WIRING TYPE:
A=4 Pole (STRAIGHT WIRED)

CABLE TYPE

LENGTH EXAMPLES:
005=0.5m
010=1m
150=15m

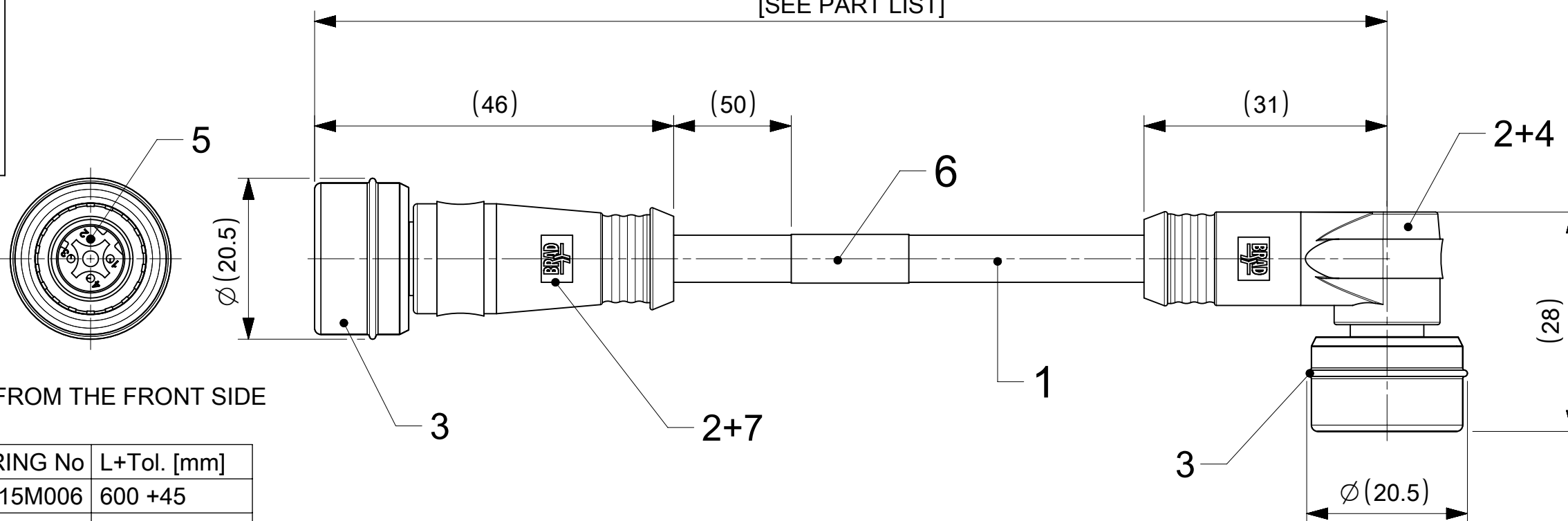
L+Tol.
[SEE PART LIST]

M12 4 POLE MALE

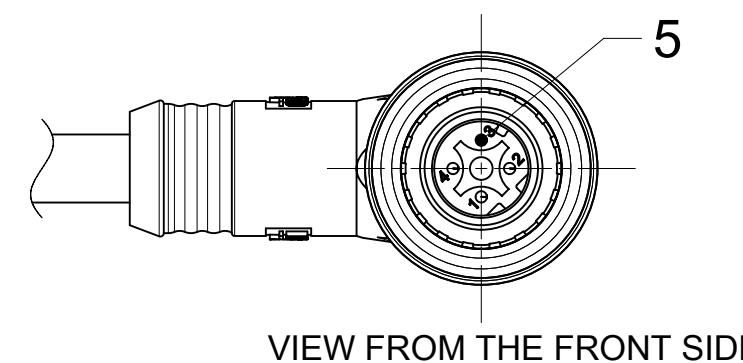


VIEW FROM THE FRONT SIDE

Pin	Wire color
1	WH/OG
2	WH/GN
3	OG
4	GN



VIEW FROM THE FRONT SIDE



VIEW FROM THE FRONT SIDE

PART LIST

MOLEX PN	ENGINEERING No	L+Tol. [mm]
1201080049	EWWA06215M006	600 +45
1201080050	EWWA06215M010	1000+56
1201080051	EWWA06215M020	2000 +89
1201080052	EWWA06215M050	5000+165
1201080053	EWWA06215M100	10000+317
1201080054	EWWA06215M150	15000+622
1201080055	EWWA06215M300	30000+622
1201088209	EWWA06215M200	20000+622
1201088210	EWWA06215M400	40000+800
1201088211	EWWA06215M600	60000+1200
1201088212	EWWA06215M800	80000+1600
1201088213	EWWA06215T100	100000+2000

BOM

ITEM	QTY.	DESCRIPTION	MATERIAL	FINISH / COLOR
7	1	M12S-SLEEVE STRAIGHT	BRASS	Ni-PLATED
6	1	WRAP LABEL	VINYL	YELLOW
5	8	CONTACT MALE	BRASS	GOLD OVER Ni-PLATED
4	1	SHIELD CLOSURE CAP 90	BRASS	Ni-PLATED
3	2	ULTRALOCK ASSEMBLY MALE	-	-
2	-	MOULDING MATERIAL	TPU	BLACK
1	-	CABLE SHIELDED PVC CAT5E	PVC	TEAL

DOCUMENT STATUS	P1	RELEASE DATE	2022/04/22	06:35:56
-----------------	----	--------------	------------	----------

NOTES :

ACC. TO CAT5e ETHERNET STD.
MAX. VOLTAGE : 30V
MAX. CURRENT : 1.5A
IP RATING : IP67
TEMPERATURE RANGE : -20°C TO +75°C

FUNCTIONAL SYMBOLS	THIS DRAWING CONTAINS INFORMATION THAT IS PROPRIETARY TO MOLEX ELECTRONIC TECHNOLOGIES, LLC AND SHOULD NOT BE USED WITHOUT WRITTEN PERMISSION	CURRENT REV DESC:		
	$\nabla_A = 0$ $\nabla_E = 0$ $\nabla_V = 0$	DIMENSION UNITS: mm SCALE: 3:2 GENERAL TOLERANCES (UNLESS SPECIFIED) ANGULAR TOL ± 1.0°	EC NO: 703538 DRWN: SSM CHK'D: RSILLER APPR: RSILLER	
DIVISIONAL SYMBOLS	4 PLACES ± 3 PLACES ± 2 PLACES ± 0.05 1 PLACE ± 0.3 0 PLACES ± 0.5	INITIAL REVISION: DRWN: SSM APPR: RSILLER	2022/03/29 2022/04/22	PRODUCT CUSTOMER DRAWING
	DRAFT WHERE APPLICABLE MUST REMAIN WITHIN DIMENSIONS	THIRD ANGLE PROJECTION	DRAWING: A3-SIZE SERIES: 120108	MATERIAL NUMBER: SEE PART LIST CUSTOMER: GENERAK MARKET
		DOCUMENT NUMBER: 1201080049 DOC TYPE: PSD DOC PART: 000 REVISION: A	SHEET NUMBER: 1 OF 1	

6

5

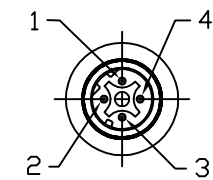
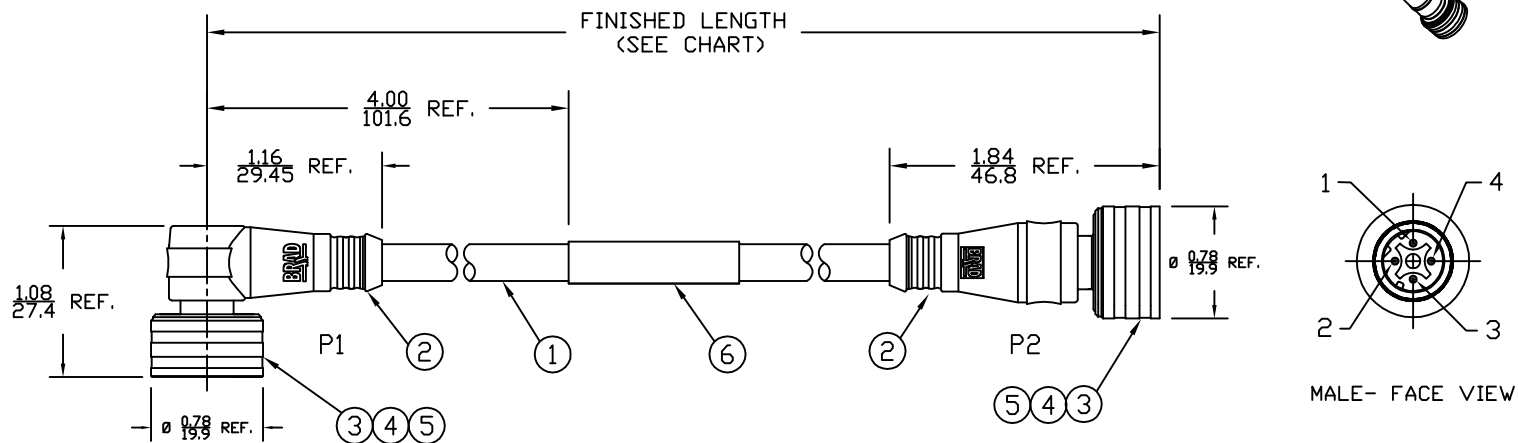
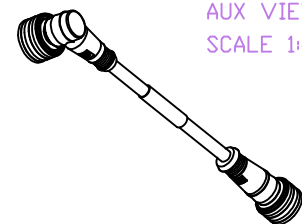
4

3

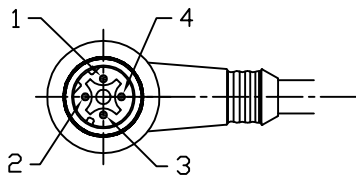
2

1

PART NUMBER	ENGINEERING NO.	LENGTH ± TOLERANCE
1201080050	EWWA06215M010	3' 3" +2.19"/-0" [1M +55.6/-0 mm]
1201080052	EWWA06215M050	16' 4" +6.5"/-0" [5M +165.0/-0 mm]



MALE-FACE VIEW



MALE-FACE VIEW

P1		P2	
1	WHITE/DRG	1	
2	WHITE/GRN	2	
3	ORANGE	3	
4	GREEN	4	

WIRING DIAGRAM

NOTES:

- MATERIAL: SEE TABLE
- FINISHES: SEE TABLE
- CABLE: #26/4 SHIELDED PVC
- ELECTRICAL DATA:
ACCORDING TO CAT5e ETHERNET STANDARD
MAX. VOLTAGE: 30V
MAX. CURRENT 1.5A
- ENVIRONMENTAL:
PROTECTION IP67
TEMPERATURE RANGE: -20°C TO 75°C
- WRAP LABEL IS MARKED WITH P/N, DATE CODE,
VOLTAGE & AMPERAGE.
- ASSEMBLY IS RoHS COMPLIANT.

ITEM	QTY.	DESCRIPTION	MATERIAL	FINISH
6	1	LABEL	PLASTIC FILM	BLACK/YELLOW
5	2	INSERT	PUR	BLACK
4	8	PIN CONTACT	COPPER ALLOY	GOLD PLATED
3	2	M12 ULTRA-LOCK HEAD ASSY	BRASS	NICKEL
2	2	OVERMOLD	PUR	BLACK
1	1	ETHERNET CABLE-CAT5E	PVC JACKET	TEAL

SD RELEASE EC NO: WEL2010-0005 7/7/09 DRWN: VOU CHKD: BWOODMAN APPR: JFMURPHY 2009/07/20	QUALITY SYMBOLS	GENERAL TOLERANCES (UNLESS SPECIFIED)	DIMENSION STYLE IN/MM	SCALE 3:4	DESIGN UNITS INCH	THIRD ANGLE PROJECTION
	▽=0 ∇=0	4 PLACES ±--- ±--- 3 PLACES ±--- ±0.05 2 PLACES ±--- ±0.10 1 PLACE ±--- ±0.20	mm INCH	DRAWN BY VOU	DATE 2009/07/07	TITLE M12 ULTRA-LOCK CABLE ASSY 4P M/MP ST/90 D-CODE #26/4 SHIELDED PVC
		ANGULAR ±1/2°	DRAFT WHERE APPLICABLE MUST REMAIN WITHIN DIMENSIONS	CHECKED BY BWOODMAN	DATE 2009/07/31	MOLEX INCORPORATED
			SIZE A	MATERIAL NO. SEE CHART	APPROVED BY ---	DATE ---
1	REV					SHEET NO. 1 OF 1

6

5

4

3

2

1

E

E

D

D

C

C

B

B

A

A