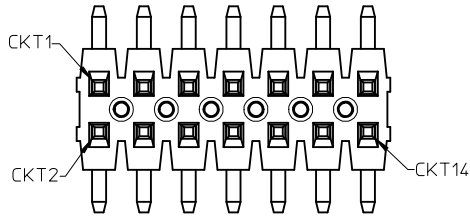


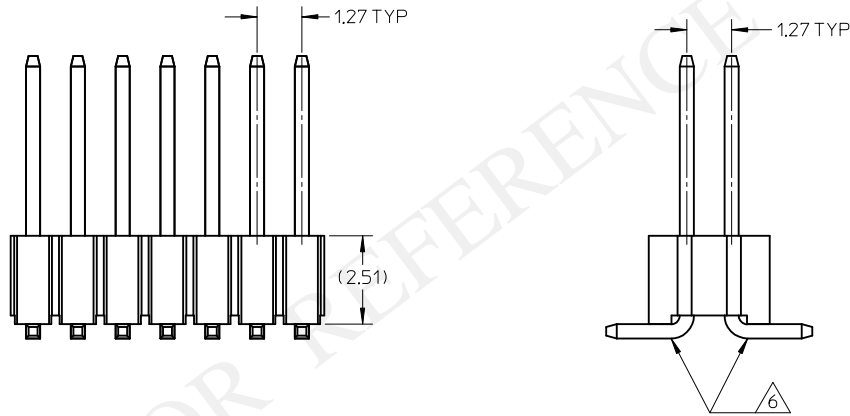
EM-87933-028

|   |                 |  |           |                 |   |                           |                        |
|---|-----------------|--|-----------|-----------------|---|---------------------------|------------------------|
| SEE SHEET 3<br>EC NO: S2017-0234<br>DRWN: MRAMAKRISHNA 2016/10/12<br>CHKD:<br>APPR: MRAMAKRISHNA 2016/10/21 | QUALITY SYMBOLS | GENERAL TOLERANCES (UNLESS SPECIFIED)                |           | DIMENSION STYLE | SCALE   | DESIGN UNITS              | THIRD ANGLE PROJECTION |
|   | $F_A = 0$       | mm   | INCH      | MM ONLY         | NTS   | METRIC                    |                        |
|   | $F_G = 0$       | 4 PLACES   | $\pm$ --- | $\pm$ ---       | DRAWN BY  | DATE                      | TITLE                  |
|   | $F_P = 0$       | 3 PLACES   | $\pm$ --- | $\pm$ ---       | MRAMAKRISHNA  | 2015/05/08                | CUSTOM HEADER          |
|   | 2 PLACES        | $\pm 0.20$   | $\pm$ --- | CHECKED BY      | DATE  | 1.27MM PITCH DUAL ROW     |                        |
|   | 1 PLACE         | $\pm$ ---  | $\pm$ --- | ATSEE           | 2015/05/08  | HEADER, SINGLE WAFER, SMT |                        |
|   |                 | ANGULAR $\pm 3^\circ$                                |           | APPROVED BY     | DATE  | MOLEX INCORPORATED        |                        |
|   |                 | DRAFT WHERE APPLICABLE MUST REMAIN WITHIN DIMENSIONS |           | MRAMAKRISHNA    | 2015/06/11  | DOCUMENT NO.              | SHEET NO.              |
|   |                 |  |           | MATERIAL NO.    |   | SD-151159-0001            | 1 OF 3                 |
|   |                 |  |           | SIZE            | THIS DRAWING CONTAINS INFORMATION THAT IS PROPRIETARY TO MOLEX INCORPORATED AND SHOULD NOT BE USED WITHOUT WRITTEN PERMISSION |                           |                        |
|   |                 |  |           | A3              |   |                           |                        |

### CIRCUITS POSITION CONFIGURATION



### PART WITHOUT PEG AND CAP VERSION



**NOTES:**

1. MATERIAL:
  - HSG: LCP, GLASS-FILLED, UL94V-0, COLOR: BLACK
  - CAP: NYLON, GLASS-FILLED, UL94V-0, COLOR: BLACK
  - PIN: 0.40MM SQ. COPPER ALLOY
2. PLATING TYPE:
  - (1) GOLD FLASH OVER  
1.25µm MIN. NICKEL OVERALL.
  - (2) GOLD FLASH ON CONTACT AND  
2.50µm MIN. TIN ON SOLDER TAIL OVER  
1.25µm MIN. NICKEL OVERALL.
  - (3) 0.38µm MIN. GOLD PLATE ON CONTACT AND  
2.00µm MIN. TIN ON SOLDER TAIL OVER  
1.25µm MIN. NICKEL OVERALL.
  - (4) 0.76µm MIN. GOLD PLATE ON CONTACT AND  
2.00µm MIN. TIN ON SOLDER TAIL OVER  
1.25µm MIN. NICKEL OVERALL.
  - (5) 2.50µm MIN. TIN OVERALL  
1.25µm MIN. NICKEL OVERALL.
3. PACKAGING TYPE: SEE TABLE
4. PCB THICKNESS 1.60+/-0.10mm
5. PRODUCT SPECIFICATION: PS-87933-001
6. BEND DEPRESSION IS ACCEPTED SO LONG AS IT DOES NOT AFFECT THE OVERALL COPLANARITY OF TAIL
7. COPLANARITY IS TO BE MEASURED BY RESTING THE SOLDER TAIL ON A FLAT SURFACE
8. CAP POSITION TO BE LOCATED AT THE CENTER OF DIMENSION (A) REGARDLESS OF CIRCUIT SIZE  
TOP SURFACE OF CAP TO BE FLAT FOR THE PURPOSE OF PICK & PLACE BY VACUUM SUCTION NOZZLE
9. IRREGULAR CIRCUIT CUTOFF WITHIN BREAKAWAY SECTION IS PERMISSIBLE. CUTTING OR CHIPPING OF THE MAIN BODY IS NOT ACCEPTABLE
10. PIN PUSH OUT FORCE: 0.4Kgf IN EITHER DIRECTION
11. THE ABOVE CKT 14 IS FOR ILLUSTRATION PURPOSE ONLY
12. PACKAGING SPECIFICATION:
  - T&R: PK-89990-567
  - TRAY: PK-89990-568

EM-87933-028

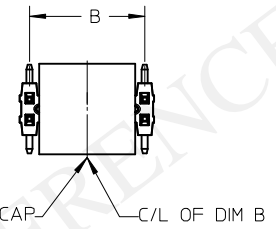
|   |                       |  |  |                 |   |   |                        |  |
|---|-----------------------|--|--|-----------------|---|---|------------------------|--|
| SEE SHEET 3<br>EC NO: S2017-0234<br>DRWN: MRAMAKRISHNA 2016/10/12<br>CHKD:<br>APPR: MRAMAKRISHNA 2016/10/21 | DESCRIPTION<br>REV    | QUALITY SYMBOLS                                      | GENERAL TOLERANCES (UNLESS SPECIFIED)        | DIMENSION STYLE | SCALE   | DESIGN UNITS  | THIRD ANGLE PROJECTION |  |
|   |                       | $F_A=0$  | mm INCH                                      | MM ONLY         | NTS   | METRIC  |                        |  |
|   |                       | $F_G=0$  | 4 PLACES ± --- ± ---                         | DRAWN BY DATE   | TITLE   | CUSTOM HEADER<br>1.27MM PITCH DUAL ROW<br>HEADER, SINGLE WAFER, SMT |                        |  |
|   |                       | $F_P=0$  | 3 PLACES ± --- ± ---                         | CHECKED BY DATE |   |   |                        |  |
|   | 2 PLACES ± 0.20 ± --- | APPROVED BY DATE                                     | MOLEX INCORPORATED<br>DOCUMENT NO. SHEET NO. |                 |   |   |                        |  |
|   | 1 PLACE ± --- ± ---   | MATERIAL NO.   |  |                 |   | SD-151159-0001  | 2 OF 3                 |  |
|   | ANGULAR ± 3 °         | DRAFT WHERE APPLICABLE MUST REMAIN WITHIN DIMENSIONS |  | SIZE            | THIS DRAWING CONTAINS INFORMATION THAT IS PROPRIETARY TO MOLEX INCORPORATED AND SHOULD NOT BE USED WITHOUT WRITTEN PERMISSION |   |                        |  |
|   |                       | A3   |  |                 |   |   |                        |  |

| CKT SIZE | DIMENSION |       |       |
|----------|-----------|-------|-------|
|          | A         | B     | C     |
| 04       | 2.54      | 1.27  | -     |
| 06       | 3.81      | 2.54  | -     |
| 08       | 5.08      | 3.81  | -     |
| 10       | 6.35      | 5.08  | 3.81  |
| 12       | 7.62      | 6.35  | -     |
| 14       | 8.89      | 7.62  | -     |
| 16       | 10.16     | 8.89  | -     |
| 18       | 11.43     | 10.16 | -     |
| 20       | 12.70     | 11.43 | 10.16 |
| 22       | 12.70     | 11.43 | -     |
| 24       | 13.97     | 12.70 | -     |
| 26       | 15.24     | 13.97 | -     |
| 28       | 16.51     | 15.24 | -     |
| 30       | 17.78     | 16.51 | -     |
| 32       | 19.05     | 17.78 | 16.51 |
| 34       | 20.32     | 19.05 | -     |
| 36       | 21.59     | 20.32 | -     |
| 38       | 22.86     | 21.59 | -     |
| 40       | 24.13     | 22.86 | -     |
| 42       | 25.40     | 24.13 | 22.86 |
| 44       | 26.67     | 25.40 | -     |
| 46       | 27.94     | 26.67 | -     |
| 48       | 29.21     | 27.94 | -     |
| 50       | 30.48     | 29.21 | -     |
| 52       | 31.75     | 30.48 | 29.21 |
| 54       | 33.02     | 31.75 | -     |
| 56       | 34.29     | 33.02 | -     |
| 58       | 35.56     | 34.29 | -     |
| 60       | 36.83     | 35.56 | 34.29 |
| 62       | 38.10     | 36.83 | -     |
| 64       | 40.64     | 39.37 | -     |

| PART NUMBER IN PACKAGIN OPTION |                              |                  |               | CKT SIZE | PEG | PLATE OPT. | VOID POSITION | DIMENSION |       |              |      |      |      |
|--------------------------------|------------------------------|------------------|---------------|----------|-----|------------|---------------|-----------|-------|--------------|------|------|------|
| TRAY WITHOUT CAP               | TAPE & REEL WITH CAP W/O PEG | TUBE WITHOUT CAP | TUBE WITH CAP |          |     |            |               | G         | F     | MATING END M | E    | J    | (K)  |
| -                              | -                            | 151159-0400      | -             | 04       | NO  | 1          | -             | -         | 6.51  | 3.00         | 1.00 | 1.92 | 5.10 |
| -                              | 151159-0600                  | -                | -             | 06       | NO  | 5          | -             | 10.81     | 10.01 | 6.50         | 1.00 | 2.36 | 6.00 |
| 151159-2000                    | -                            | -                | -             | 20       | NO  | 4          | -             | -         | 8.61  | 4.83         | 1.27 | 2.36 | 6.00 |
| -                              | 151159-2400                  | -                | -             | 24       | NO  | 5          | -             | 13.31     | 12.51 | 9.00         | 1.00 | 2.36 | 6.00 |
| 151159-2401                    | -                            | -                | -             | 24       | NO  | 5          | -             | -         | 15.81 | 12.30        | 1.00 | 2.36 | 6.00 |
| -                              | 151159-6400                  | -                | -             | 64       | NO  | 1          | -             | 7.21      | 5.96  | 3.05         | 0.40 | 2.28 | 5.84 |

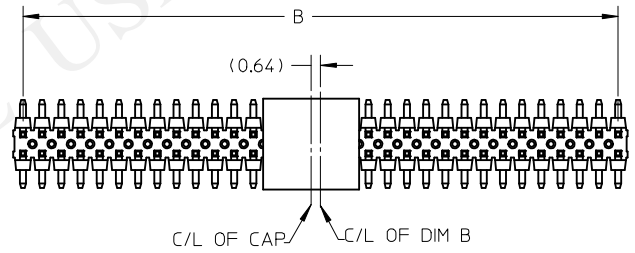
### CAP POSITION ILLUSTRATION FOR REFERENCE

FOR ILLUSTRATION 14 CKT AS SHOWN



C/L OF DIM B = C/L OF CAP  
FOR ODD CKT COLUMN

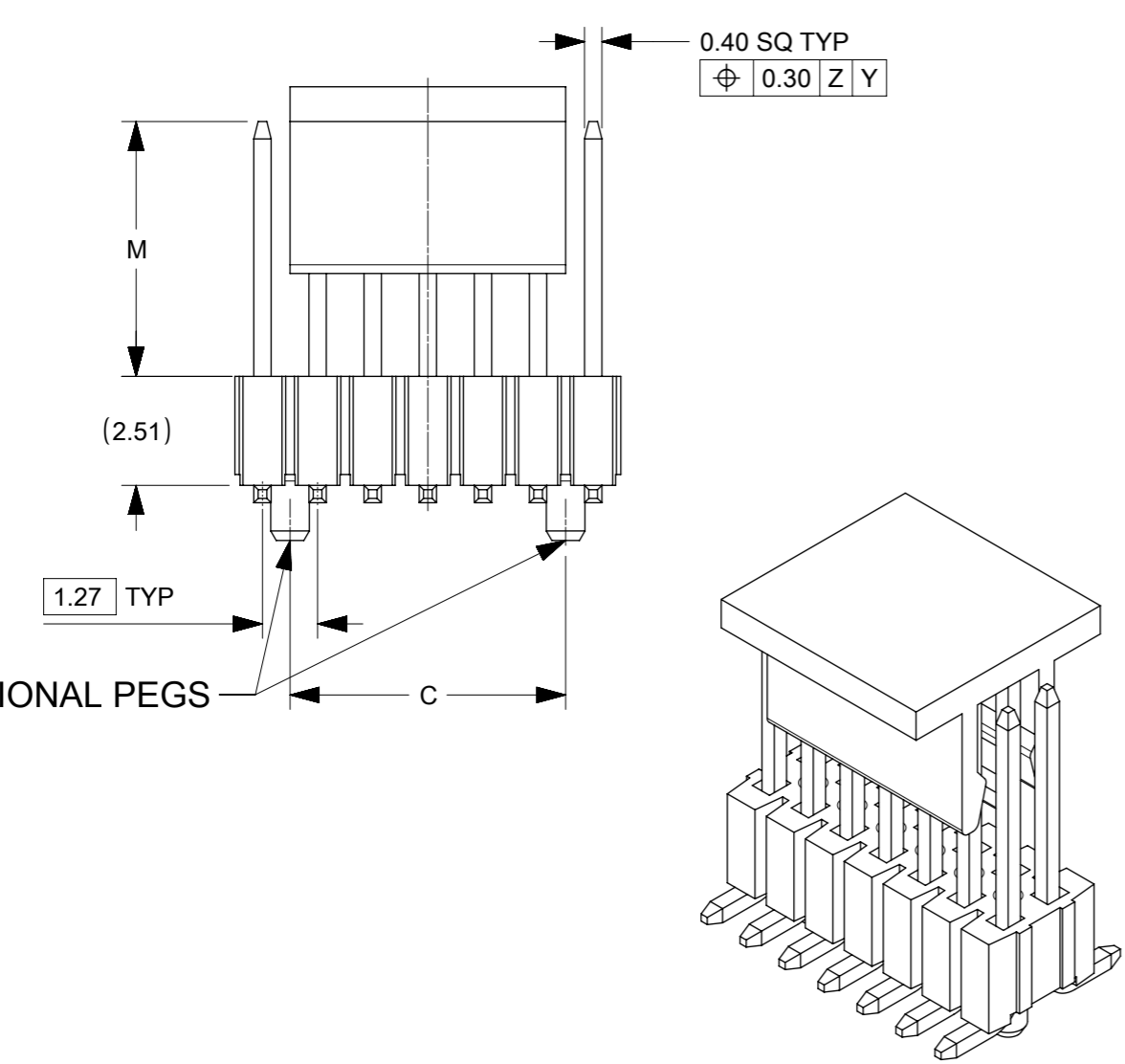
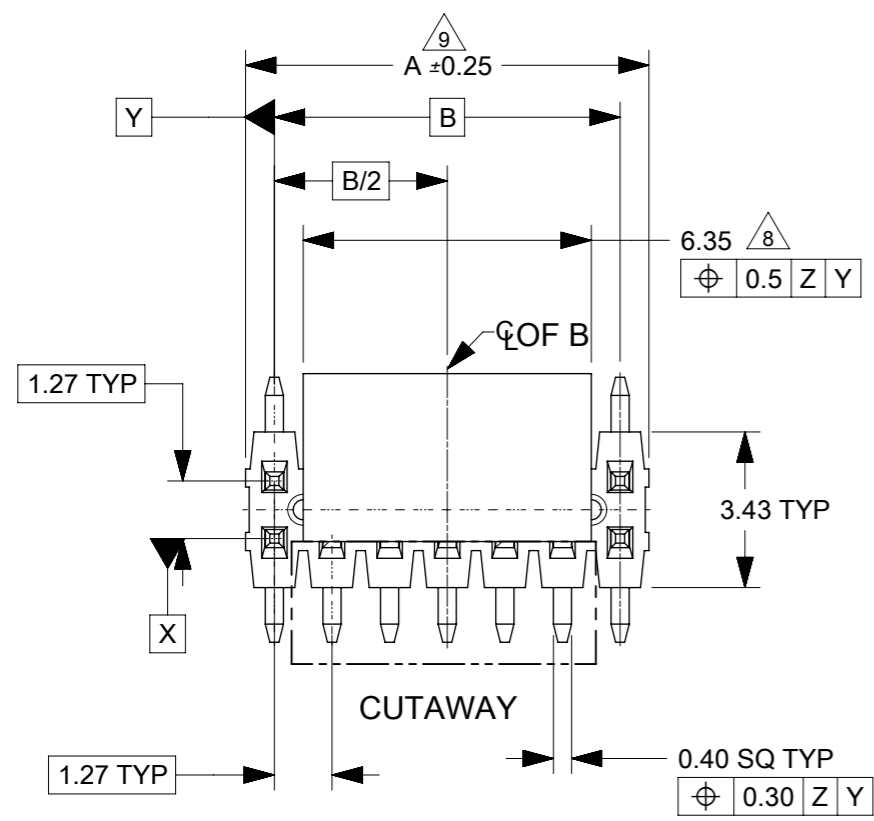
FOR ILLUSTRATION 64 CKT AS SHOWN



C/L OF DIM B IS OFFSET WITH C/L OF CAP  
FOR EVEN CKT COLUMN

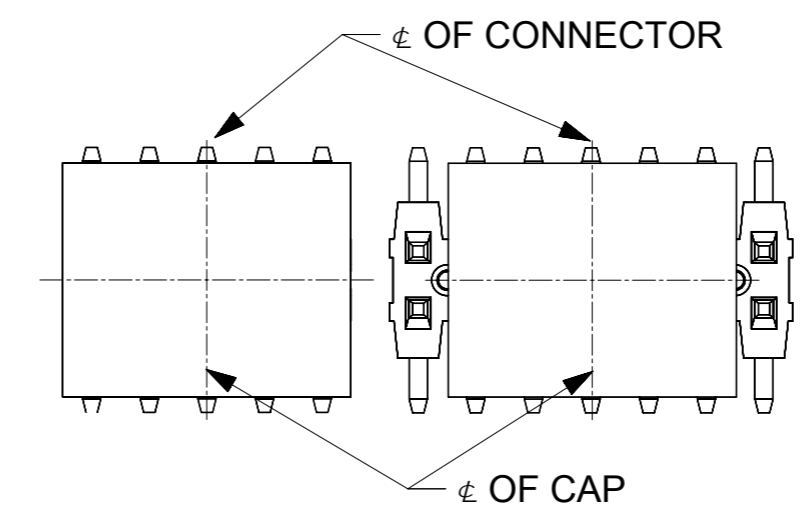
|   |                 |  |        |                 |   |                    |                         |                        |  |  |
|---|-----------------|--|--------|-----------------|---|--------------------|-------------------------|------------------------|--|--|
| ADD P/N 151159-2401<br>EC NO: S2017-0234<br>DRWN:MRAMAKRISHNA 2016/10/12<br>CHKD:<br>APPR:MRAMAKRISHNA 2016/10/21 | QUALITY SYMBOLS | GENERAL TOLERANCES (UNLESS SPECIFIED)                |        | DIMENSION STYLE |   | SCALE              | DESIGN UNITS            | THIRD ANGLE PROJECTION |  |  |
|   | $F_A=0$         | mm   | INCH   | MM ONLY         |   | NTS                | METRIC                  |                        |  |  |
|   | $F_C=0$         | 4 PLACES   | ± ---  | ± ---           | DRAWN BY  | DATE               | TITLE                   |                        |  |  |
|   | $F_B=0$         | 3 PLACES   | ± ---  | ± ---           | MRAMAKRISHNA  | 2015/05/08         | CUSTOM HEADER           |                        |  |  |
|   |                 | 2 PLACES   | ± 0.20 | ± ---           | CHECKED BY  | DATE               | 1.27MM PITCH DUAL ROW   |                        |  |  |
|   |                 | 1 PLACE  | ± ---  | ± ---           | ATSEE   | 2015/05/08         | HEADER,SINGLE WAFER,SMT |                        |  |  |
|   |                 | ANGULAR ± 3 °  |        | APPROVED BY     | DATE  | MOLEX INCORPORATED |                         |                        |  |  |
|   |                 | DRAFT WHERE APPLICABLE MUST REMAIN WITHIN DIMENSIONS |        | MRAMAKRISHNA    | 2015/06/11  | DOCUMENT NO.       |                         | SHEET NO.              |  |  |
|   |                 |  |        | SEE TABLE       |   | SD-151159-0001     |                         | 3 OF 3                 |  |  |
|   |                 |  |        | SIZE A3         | THIS DRAWING CONTAINS INFORMATION THAT IS PROPRIETARY TO MOLEX INCORPORATED AND SHOULD NOT BE USED WITHOUT WRITTEN PERMISSION |                    |                         |                        |  |  |

EM-87933-028

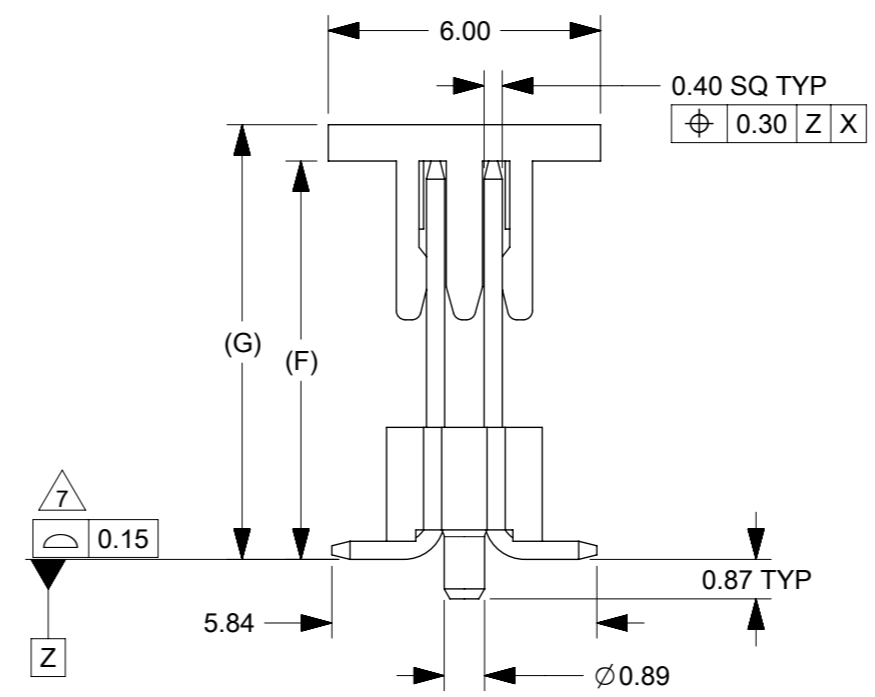
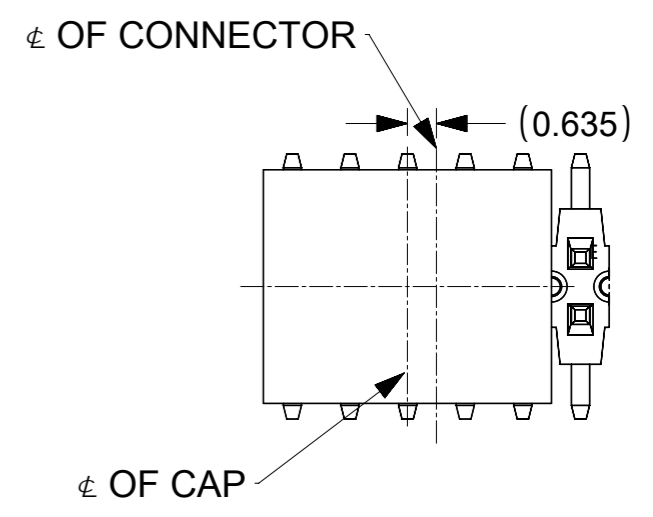


8 CAP POSITION WITH RESPECT TO CONNECTOR

FOR CKT 10 & BELOW & CKT 14, 18, 22, 26, 30, 34, 38, 42, 46, 50, 54, 58, 62, 66, 70, 74, 78, 82, 86, 90, 94, 98

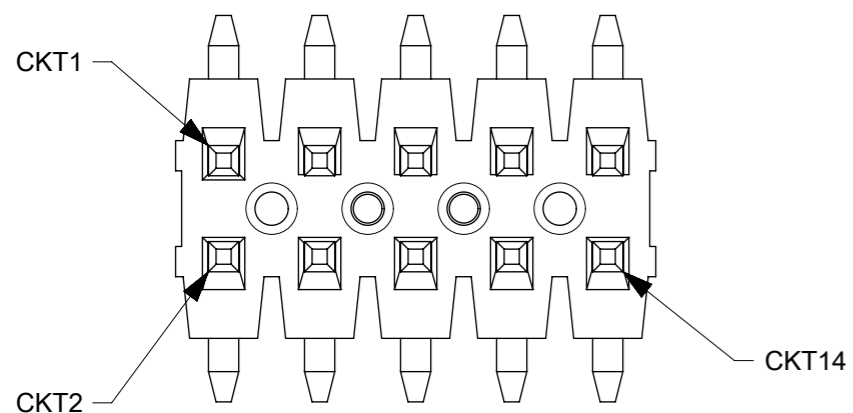


FOR 12, 16, 20, 24, 28, 32, 36, 40, 44, 48, 52, 56, 60, 64, 68, 72, 76, 80, 84, 86, 92, 96, 100

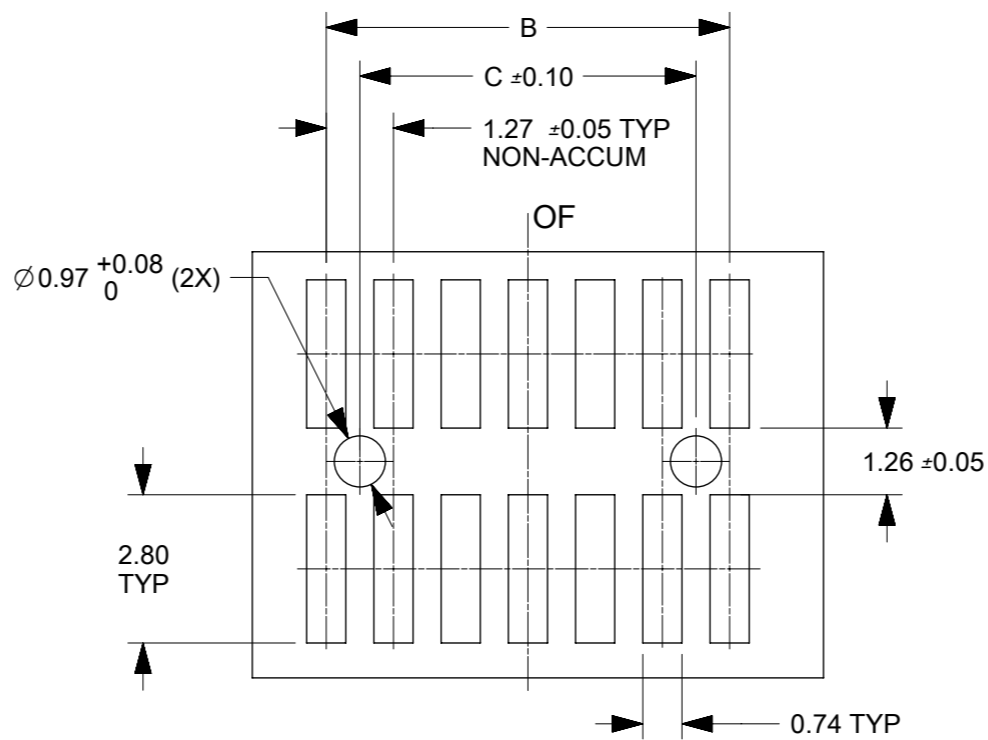
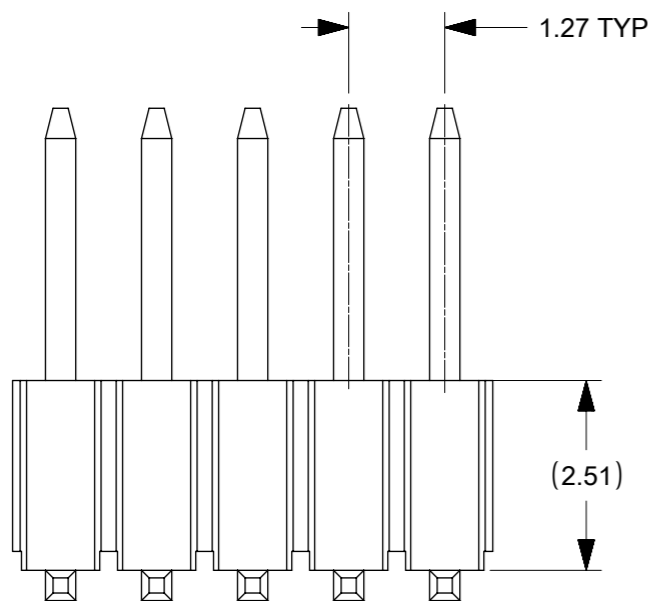


|   |   |  |            |                                       |                        |                 |   |  |  |      |
|---|---|--|------------|---------------------------------------|------------------------|-----------------|---|--|--|------|
| QUALITY SYMBOLS<br>▽ = 0<br>▽ = 0<br>▽ = 0<br>▼ = 0<br>▽ = 0<br>⊠ = 0<br>■ = 0<br>▽ = 0 | THIS DRAWING CONTAINS INFORMATION THAT IS PROPRIETARY TO MOLEX ELECTRONIC TECHNOLOGIES, LLC AND SHOULD NOT BE USED WITHOUT WRITTEN PERMISSION |  |            |                                       |                        |                 |   |  |  |      |
|   | 2017/08/22  | 2017/10/23   | 2017/11/07 | GENERAL TOLERANCES (UNLESS SPECIFIED) |                        | DIMENSION UNITS | SCALE   |  |  |      |
|   |   |  |            | MM                                    | INCH                   | MM              | NTS   |  |  |      |
|   | EC NO: 123611<br>DRWN: SCHEONG<br>CHKD: GMENARLY<br>REV APPR: KHLIM   | 4 PLACES   | ±          | ±                                     | DRWN BY                | DATE            | CUSTOMER DRAWING<br>SERIES: 87933 MATERIAL NUMBER: SEE TABLE CUSTOMER: GENERAL MARKET<br>DOCUMENT NUMBER: SD-87933-100 DOC TYPE: PSD DOC PART: 000 SHEET NUMBER: 1 OF 3 |  |  |      |
|   |   | 3 PLACES   | ±          | ±                                     | SKLIM01                | 2007/04/24      |   |  |  |      |
|   |   | 2 PLACES   | ±          | 0.2                                   | ±                      | CHK'D BY        |   |  |  | DATE |
|   |   | 1 PLACES   | ±          | ±                                     | CWLAM                  | 2007/05/04      |   |  |  |      |
|   |   | 0 PLACES   | ±          | ±                                     | APP'R BY               | DATE            |   |  |  |      |
|   |   | ANGULAR TOL = 3.0                                    |            | APPR BY                               | DATE                   |                 |   |  |  |      |
|   |   | DRAFT WHERE APPLICABLE MUST REMAIN WITHIN DIMENSIONS |            | DRAWING SIZE                          | THIRD ANGLE PROJECTION |                 |   |  |  |      |
|   |   |  | A3         |                                       |                        |                 |   |  |  |      |

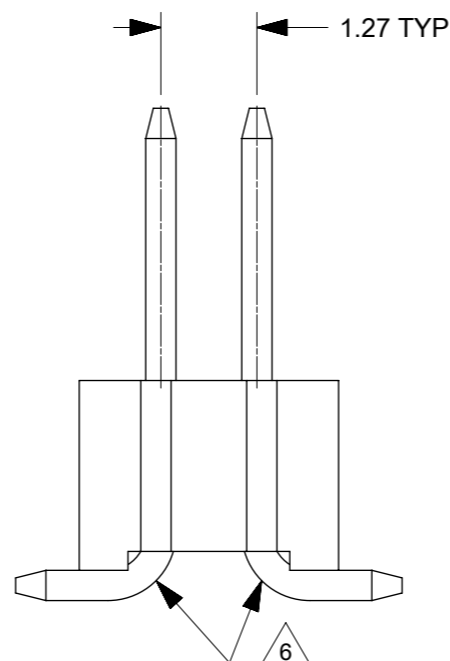
CIRCUITS POSITION CONFIGURATION



PART WITHOUT PEG AND CAP VERSION



RECOMMENDED PCB LAYOUT : COMPONENT SIDE



NOTES:

1. MATERIAL:  
HSG: LCP, GLASS-FILLED, UL94V-0, COLOR: BLACK  
CAP: NYLON, GLASS-FILLED, UL94V-0, COLOR: BLACK  
PIN: 0.40MM SQ, COPPER ALLOY
2. PLATING TYPE:  
(1) GOLD FLASH OVER  
1.25µm MIN. NICKEL OVERALL.  
(2) GOLD FLASH ON CONTACT AND  
2.50µm MIN. TIN ON SOLDER TAIL OVER  
1.25µm MIN. NICKEL OVERALL.  
(3) 0.38µm MIN. GOLD PLATE ON CONTACT AND  
2.00µm MIN. TIN ON SOLDER TAIL OVER  
1.25µm MIN. NICKEL OVERALL.  
(4) 0.76µm MIN. GOLD PLATE ON CONTACT AND  
2.00µm MIN. TIN ON SOLDER TAIL OVER  
1.25µm MIN. NICKEL OVERALL.  
(5) 2.50µm MIN. TIN OVERALL  
1.25µm MIN. NICKEL OVERALL
3. PACKAGING TYPE: SEE TABLE
4. PCB THICKNESS 1.60+/-0.10mm
5. PRODUCT SPECIFICATION: 879330001\_PS
6. BEND DEPRESSION IS ACCEPTED SO LONG AS IT DOES NOT AFFECT THE OVERALL COPLANARITY OF TAIL
7. COPLANARITY IS TO BE MEASURED BY RESTING THE SOLDER TAIL ON A FLAT SURFACE
8. CAP POSITION TO BE LOCATED AS SHOWN  
(A) REFER TO CKT SIZE ON SHEET 1  
TOP SURFACE OF CAP TO BE FLAT FOR THE PURPOSE OF PICK & PLACE BY VACUUM SUCTION NOZZLE
9. IRREGULAR CIRCUIT CUTOFF WITHIN BREAKAWAY SECTION IS PERMISSIBLE. CUTTING OR CHIPPING OF THE MAIN BODY IS NOT ACCEPTABLE
10. PIN PUSH OUT FORCE: 0.4Kgf IN EITHER DIRECTION
11. THE ABOVE CKT 14 IS FOR ILLUSTRATION PURPOSE ONLY
12. PACKAGING SPECIFICATION:  
T&R: PK-89990-567  
TRAY: PK-89990-568/ PK-87933-300

| QUALITY SYMBOLS | THIS DRAWING CONTAINS INFORMATION THAT IS PROPRIETARY TO MOLEX ELECTRONIC TECHNOLOGIES, LLC AND SHOULD NOT BE USED WITHOUT WRITTEN PERMISSION |                                       |              |                        |   |   |                          |  |  |  |
|-----------------|---|---------------------------------------|--------------|------------------------|---|---|--------------------------|--|--|--|
| ▽ = 0           | EC NO: 123611<br>DRWN: SCHEONG<br>CHK'D: GMENARLY<br>REV APPR: KHLIM  | GENERAL TOLERANCES (UNLESS SPECIFIED) |              | DIMENSION UNITS        |   | SCALE   |                          |  |  |  |
| ▽ = 0           |   | MM                                    | INCH         | MM                     | NTS   |   |                          |  |  |  |
| ▽ = 0           |   | 4 PLACES ±                            | ±            | DRWN BY                | DATE  | CUSTOMER DRAWING<br>1.27MM PITCH DUAL ROW HEADER, SINGLE WAFER, SMT     |                          |  |  |  |
| ▼ = 0           |   | 3 PLACES ±                            | ±            | SKLIM01                | 2007/04/24  |   |                          |  |  |  |
| ▽ = 0           |   | 2 PLACES ±                            | 0.2          | ±                      | CHK'D BY  | DATE  | PRODUCT CUSTOMER DRAWING |  |  |  |
| ▽ = 0           |   | 1 PLACES ±                            | ±            | ±                      | CWLAM   | 2007/05/04  |                          |  |  |  |
| ⊠ = 0           | 0 PLACES ±  | ±                                     | ±            | APPR BY                | DATE  | SERIES: 87933<br>MATERIAL NUMBER: SEE TABLE<br>CUSTOMER: GENERAL MARKET |                          |  |  |  |
| ■ = 0           | ANGULAR TOL = 3.0   |                                       | DRAWING SIZE | THIRD ANGLE PROJECTION | DOCUMENT NUMBER: SD-87933-100<br>DOC TYPE: PSD<br>DOC PART: 000<br>SHEET NUMBER: 2 OF 3 |   |                          |  |  |  |
| ▽ = 0           | DRAFT WHERE APPLICABLE MUST REMAIN WITHIN DIMENSIONS  |                                       | A3           |                        |   |   |                          |  |  |  |

|                |              |
|----------------|--------------|
| RELEASE STATUS | RELEASE DATE |
|----------------|--------------|

| CKT SIZE | DIMENSION |       |       |
|----------|-----------|-------|-------|
|          | A         | B     | C     |
| 04       | 2.54      | 1.27  | -     |
| 06       | 3.81      | 2.54  | -     |
| 08       | 5.08      | 3.81  | -     |
| 10       | 6.35      | 5.08  | 3.81  |
| 12       | 7.62      | 6.35  | -     |
| 14       | 8.89      | 7.62  | -     |
| 16       | 10.16     | 8.89  | -     |
| 18       | 11.43     | 10.16 | -     |
| 20       | 12.70     | 11.43 | 10.16 |
| 22       | 13.97     | 12.70 | -     |
| 24       | 15.24     | 13.97 | -     |
| 26       | 16.51     | 15.24 | -     |
| 28       | 17.78     | 16.51 | -     |
| 30       | 19.05     | 17.78 | 16.51 |
| 32       | 20.32     | 19.05 | -     |
| 34       | 21.59     | 20.32 | -     |
| 36       | 22.86     | 21.59 | -     |
| 38       | 24.13     | 22.86 | -     |
| 40       | 25.40     | 24.13 | 22.86 |
| 42       | 26.67     | 25.40 | -     |
| 44       | 27.94     | 26.67 | -     |
| 46       | 29.21     | 27.94 | -     |
| 48       | 30.48     | 29.21 | -     |
| 50       | 31.75     | 30.48 | 29.21 |

| PART NUMBER IN PACKAGING OPTION |               |                      |                  |               | CKT SIZE | PEG | PLATE OPT. | VOID POSITION | DIMENSION |      |            |
|---------------------------------|---------------|----------------------|------------------|---------------|----------|-----|------------|---------------|-----------|------|------------|
| TRAY WITHOUT CAP                | TRAY WITH CAP | TAPE & REEL WITH CAP | TUBE WITHOUT CAP | TUBE WITH CAP |          |     |            |               | G         | F    | MATING END |
| -                               | -             | 87933-1228           | -                | -             | 12       | NO  | 3          | -             | 7.21      | 5.96 | 3.05       |
| -                               | -             | 87933-2020           | -                | -             | 20       | NO  | 5          | -             | 9.21      | 8.01 | 5.10       |
| -                               | -             | 87933-5028           | -                | -             | 50       | NO  | 3          | -             | 7.21      | 5.96 | 3.05       |

|                            |   |            |   |            |   |            |  |                                       |    |                 |                        |       |  |
|----------------------------|---|------------|---|------------|---|------------|--|---------------------------------------|----|-----------------|------------------------|-------|--|
| <b>QUALITY SYMBOLS</b><br> | THIS DRAWING CONTAINS INFORMATION THAT IS PROPRIETARY TO MOLEX ELECTRONIC TECHNOLOGIES, LLC AND SHOULD NOT BE USED WITHOUT WRITTEN PERMISSION |            |   |            |   |            |  |                                       |    |                 |                        |       |  |
|                            | EC NO: 123611<br>DRWN: SCHEONG<br>CHK'D: GMENARLY<br>REV APPR: KHLIM  | 2017/08/22 |   | 2017/10/23 |   | 2017/11/07 |  | GENERAL TOLERANCES (UNLESS SPECIFIED) |    | DIMENSION UNITS |                        | SCALE |  |
|                            |   |            |   |            |   |            |  | MM INCH                               |    | MM              |                        | NTS   |  |
|                            |   | 4 PLACES   |   | ±          |   | ±          |  | DRWN BY                               |    | SKLIM01         |                        | DATE  |  |
|                            |   | 3 PLACES   |   | ±          |   | ±          |  | CHK'D BY                              |    | CWLAM           |                        | DATE  |  |
|                            |   | 2 PLACES   |   | ± 0.2      |   | ±          |  | APPR BY                               |    | KWLEE           |                        | DATE  |  |
|                            | 1 PLACES  |            | ± |            | ± |            | DRAWING SIZE   |                                       | A3 |                 | THIRD ANGLE PROJECTION |       |  |
|                            | 0 PLACES  |            | ± |            | ± |            | ANGULAR TOL = 3.0                                    |                                       |    |                 |                        |       |  |
|                            |   |            |   |            |   |            | DRAFT WHERE APPLICABLE MUST REMAIN WITHIN DIMENSIONS |                                       |    |                 |                        |       |  |
|                            |   |            |   |            |   |            |  |                                       |    |                 |                        |       |  |
|                            |   |            |   |            |   |            |  |                                       |    |                 |                        |       |  |

|   |                 |                |          |
|---|-----------------|----------------|----------|
| <b>molex®</b>   |                 |                |          |
| CUSTOM HEADER<br>1.27MM PITCH DUAL ROW HEADER,SINGLE<br>WAFER,SMT |                 |                |          |
| PRODUCT CUSTOMER DRAWING  |                 |                |          |
| SERIES  | MATERIAL NUMBER | CUSTOMER       |          |
| 87933   | SEE TABLE       | GENERAL MARKET |          |
| DOCUMENT NUMBER   |                 | DOC TYPE       | DOC PART |
| SD-87933-100  |                 | PSD            | 000      |
| SHEET NUMBER  |                 | 3 OF 3         |          |

|                |              |
|----------------|--------------|
| RELEASE STATUS | RELEASE DATE |
|----------------|--------------|