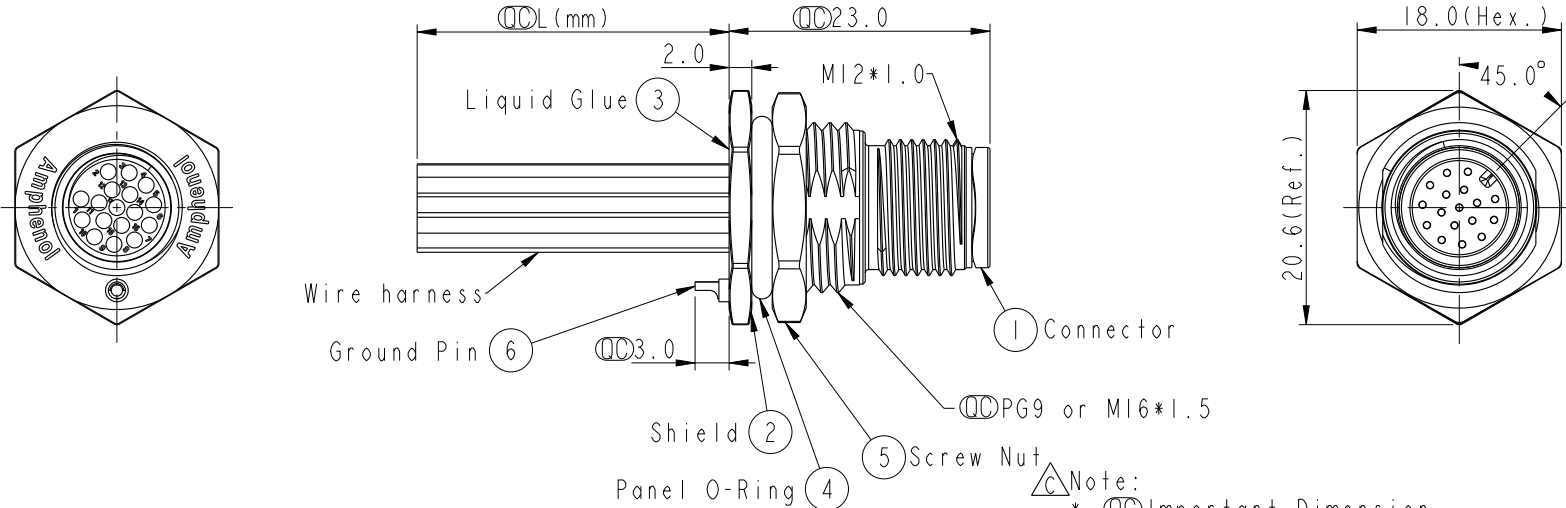
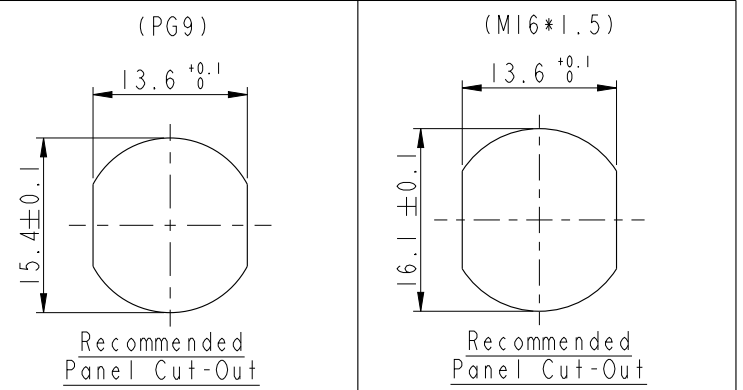


THIS DOCUMENT IS SUBJECT TO CHANGE WITHOUT NOTICE. IT IS CONFIDENTIAL AND A PROPERTY OF Amphenol LTW. DISCLOSURE TO THIRD PARTY HAS TO BE AUTHORIZED BY Amphenol LTW.

REV.	ECN NO.	DATE	SIGN	DESCRIPTION
A		2019/03/08	Allen Pan	
B	CI91681	2019/09/24	Vicky	Update Wire Tolerance
C	BOMR19110191	2019-11-27	Peng	$\triangle C$ X4

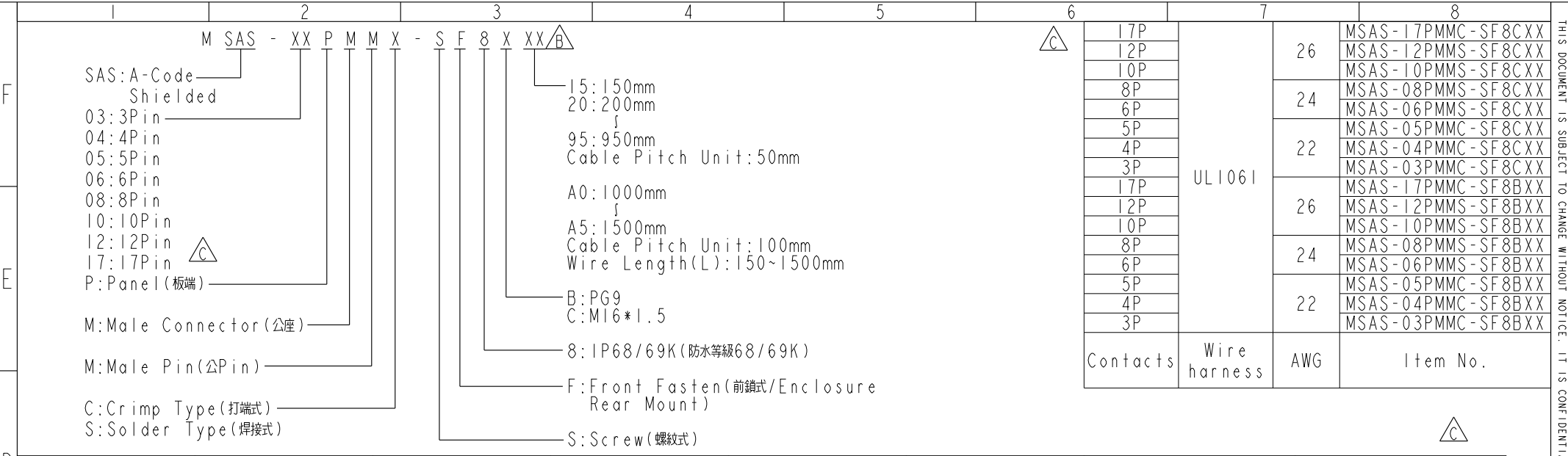


- $\triangle C$ Note:
- * $\text{\textcircled{L}}$ Important Dimension.
 - * Waterproof Rate: IP68, IP69K.
 - * Connector: Nylon+GF, Black.
 - * Male Pin: Copper Alloy, Gold Plated.
 - * Shield: Zinc Alloy, Nickel Plated.
 - * Screw Nut: Zinc Alloy, Nickel Plated.
 - * Panel O-Ring: Viton, Black.
 - * Wire harness: ULI061
 - * Rated Voltage: 3 & 4Pin 250V dc. or ac.
5Pin 60V dc. or ac.
6~12Pin, 17Pin 30V dc. or ac.
 - * Rated Current: 3~5Pin 4A
6~8Pin 2A
10~12Pin, 17Pin 1.5A
 - * Operating Temperature: -25~85°C
 - * For Panel Thickness Max 4.5mm.
 - * Nut Torque: 4-6 Kgf.cm.
 - * Wire harness Tolerance: 150~300 ± 15 mm
301~1000 ± 20 mm
 $\triangle B$ Over1000 +50/-0mm

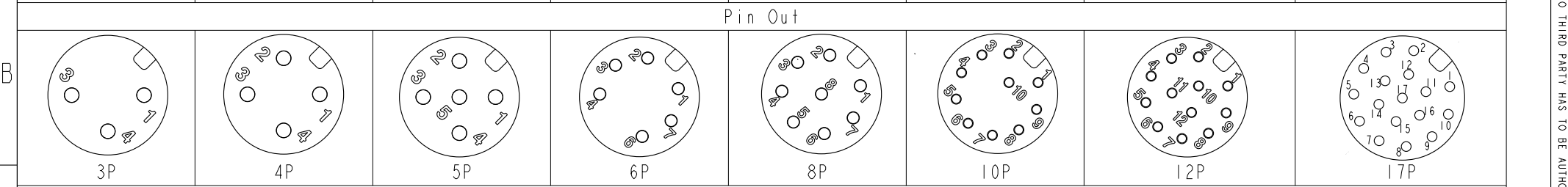


UNIT: mm		TITLE		ITEM NO	DRAWN BY	DATE
		M12 A-Code Male Conn. Panel Front With Wire harness Shielded			Vicky	2019-09-24
TOLERANCE		SCALE	SIZE	SHEET	CHECKED BY	DATE
.X ± 0.25		3:2	A4	1 OF 2	Rita	2019-09-24
.XX ± 0.1	REV.	WC-REV.	$\text{\textcircled{L}}$: Inspection item		APPROVED BY	DATE
.XXX ± 0.05	C	A.1			ALTW	Max
ANGLES $\pm 1^\circ$			<h2 style="text-align: center;">Amphenol LTW</h2> <h3 style="text-align: center;">安費諾亮泰企業股份有限公司</h3>			

THIS DOCUMENT IS SUBJECT TO CHANGE WITHOUT NOTICE. IT IS CONFIDENTIAL AND A PROPERTY OF Amphenol LTW. DISCLOSURE TO THIRD PARTY HAS TO BE AUTHORIZED BY Amphenol LTW.



Pin #	Wire	Pin #	Wire	Pin #	Wire	Pin #	Wire	Pin #	Wire	Pin #	Wire	Pin #	Wire	Pin #	Wire	Pin #	Wire			
5	--	5	--	5	Gray	灰	5	--	5	Red	紅	5	Gray	灰	5	Gray	灰			
4	Black	黑	4	Black	黑	4	Black	黑	4	Blue	藍	4	Black	黑	4	Black	黑			
3	Blue	藍	3	Blue	藍	3	Blue	藍	3	Pink	粉	3	Blue	藍	3	Blue	藍			
2	--	2	White	白	2	White	白	2	Gray	灰	2	White	白	2	Gray	灰	2	White	白	
1	Brown	棕	1	Brown	棕	1	Brown	棕	1	Yellow	黃	1	Brown	棕	1	Yellow	黃	1	Brown	棕



Pin Assignments Front View

UNIT: mm TOLERANCE .X ±0.25 .XX ±0.1 .XXX ±0.05 ANGLES ±1°	TITLE M12 A-Code Male Conn. Panel Front With Wire harness Shielded			<h1>Amphenol LTW</h1> 安費諾亮泰企業股份有限公司		ITEM NO MSAS-XXPMX-SF8XXX	DRAWN BY Vicky	DATE 2019-09-24
	SCALE 3:2	SIZE A4	SHEET 2 OF 2			DWG NO MSAS-XXPMX-SF8XXX	CHECKED BY Rita	DATE 2019-09-24
	REV. C	WC-REV. A.1	Inspection item	CUSTOMER ALTW	APPROVED BY Max	DATE 2019-09-24		
								W10814-03-0001A2