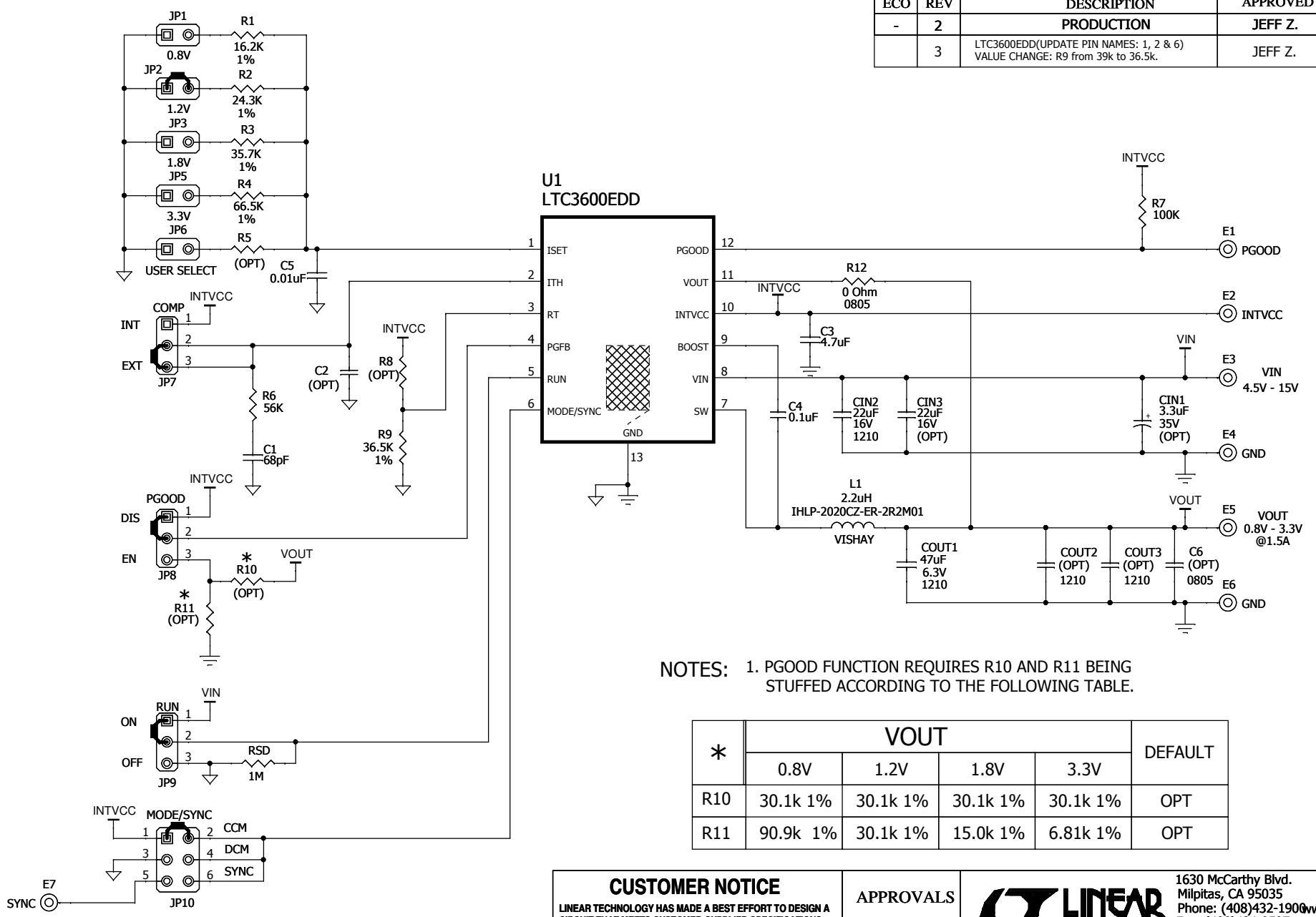


REVISION HISTORY				
ECO	REV	DESCRIPTION	APPROVED	DATE
-	2	PRODUCTION	JEFF Z.	02/24/11
	3	LTC3600EDD(UPDATE PIN NAMES: 1, 2 & 6) VALUE CHANGE: R9 from 39k to 36.5k.	JEFF Z.	04/06/11



NOTES: 1. PGOOD FUNCTION REQUIRES R10 AND R11 BEING STUFFED ACCORDING TO THE FOLLOWING TABLE.

*	VOUT				DEFAULT
	0.8V	1.2V	1.8V	3.3V	
R10	30.1k 1%	30.1k 1%	30.1k 1%	30.1k 1%	OPT
R11	90.9k 1%	30.1k 1%	15.0k 1%	6.81k 1%	OPT

NOTE: UNLESS OTHERWISE SPECIFIED.
 1. ALL RESISTORS 0402.
 2. ALL CAPACITORS 0402.

CUSTOMER NOTICE LINEAR TECHNOLOGY HAS MADE A BEST EFFORT TO DESIGN A CIRCUIT THAT MEETS CUSTOMER-SUPPLIED SPECIFICATIONS; HOWEVER, IT REMAINS THE CUSTOMER'S RESPONSIBILITY TO VERIFY PROPER AND RELIABLE OPERATION IN THE ACTUAL APPLICATION. COMPONENT SUBSTITUTION AND PRINTED CIRCUIT BOARD LAYOUT MAY SIGNIFICANTLY AFFECT CIRCUIT PERFORMANCE OR RELIABILITY. CONTACT LINEAR TECHNOLOGY APPLICATIONS ENGINEERING FOR ASSISTANCE. THIS CIRCUIT IS PROPRIETARY TO LINEAR TECHNOLOGY AND SUPPLIED FOR USE WITH LINEAR TECHNOLOGY PARTS.	APPROVALS PCB DES. RB APP ENG. JEFF Z.				1630 McCarthy Blvd. Milpitas, CA 95035 Phone: (408)432-1900 Fax: (408)434-0507 www.linear.com	
	TITLE: SCHEMATIC 4.5-15VIN, 1.5A MONOLITHIC BUCK REGULATOR		LTC3600EDD DEMO CIRCUIT 1667A		REV. 3	
	SCALE = NONE		SIZE N/A	IC NO.	DATE: Friday, November 18, 2011	SHEET 1 OF 1