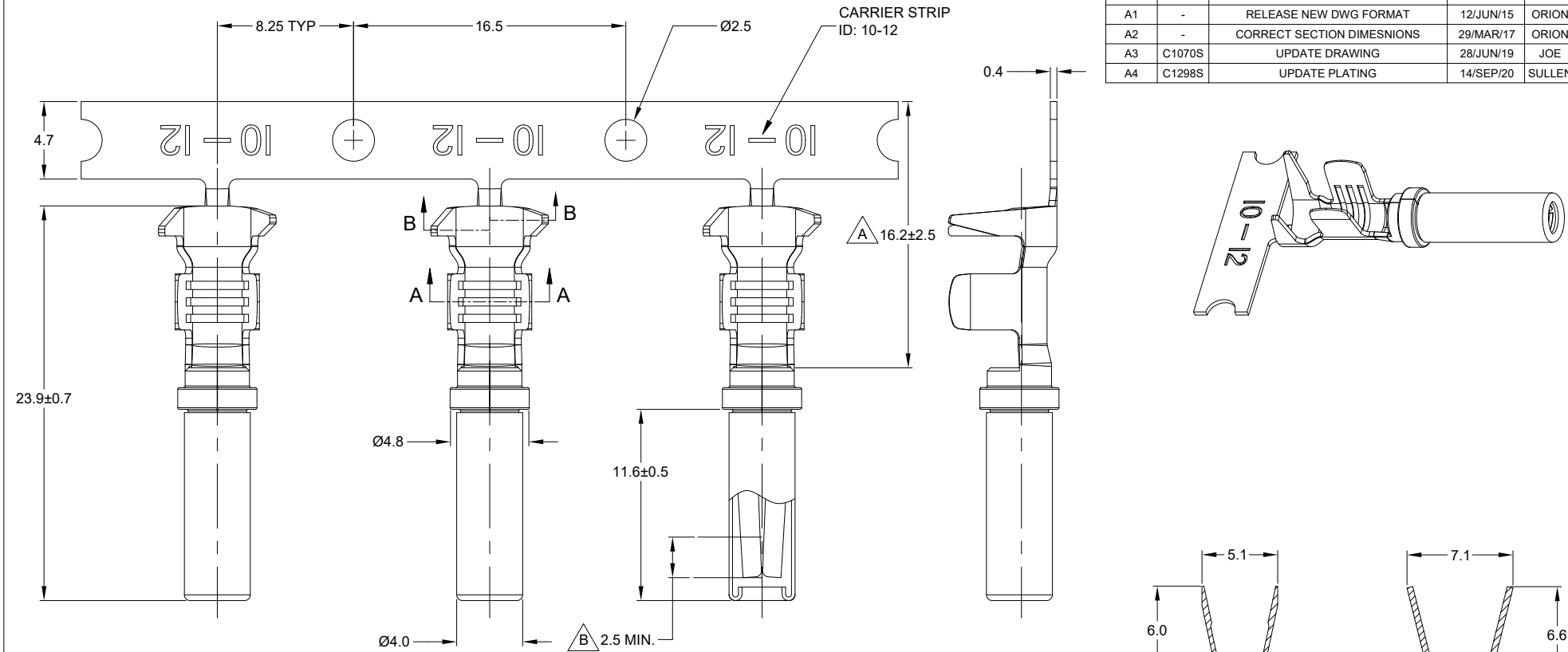


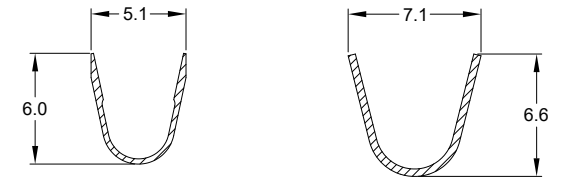
REVISIONS					
REV	ECO	DESCRIPTION	DATE	BY	APPR
A1	-	RELEASE NEW DWG FORMAT	12/JUN/15	ORION	-
A2	-	CORRECT SECTION DIMENSIONS	29/MAR/17	ORION	TOMMY
A3	C1070S	UPDATE DRAWING	28/JUN/19	JOE	TOMMY
A4	C1298S	UPDATE PLATING	14/SEP/20	SULLEN	TOMMY



NOTES: UNLESS OTHERWISE SPECIFIED

- MATERIAL: COPPER ALLOY
- PLATING: SEE PART NUMBER CHART
- CONTACT SIZE: 12
- SPECIFICATIONS:
 - CURRENT RATING: 25 AMPS
 - CONTACT MILLIVOLT DROP: 100 MILLIVOLT DROP @ 25 AMP TEST CURRENT.
 - RoHS COMPLIANT
- RECOMMENDED WIRE RANGE: 10 - 12 AWG (6.0 - 4.0MM²)
RECOMMENDED INSUL O.D: 3.56 - 5.18MM (0.140 - 0.204INCH)
- PACKAGE: 2000 PCS/REEL
- ALL DIMENSIONS ARE FOR REFERENCE USE ONLY

PART NUMBER CHART		
PLATING	PART NUMBER	PLATING DESCRIPTION
NICKEL	AT62-12-0222	SELECTIVE TIN OVER NICKEL OVERALL IN Δ ZONE
GOLD	AT62-12-0244	SELECTIVE GOLD FLASH OVER NICKEL OVERALL IN Δ ZONE OR ENTIRE CONTACT
TIN	AT62-12-0277	TIN OVER NICKEL OVERALL



SEE PART NUMBER CHART		REF: 1062-12-0222, 1062-12-0244																			
QUANTITY	PART NUMBER	DESCRIPTION	ITEM																		
<table border="1"> <thead> <tr> <th colspan="2">SIGNATURES</th> <th>DATE</th> </tr> </thead> <tbody> <tr> <td>DRAWN:</td> <td>SULLENZANG</td> <td>14/SEP/20</td> </tr> <tr> <td>CHECKED:</td> <td>ORIONLI</td> <td>15/SEP/20</td> </tr> <tr> <td>ENGINEER:</td> <td></td> <td></td> </tr> <tr> <td>APPROVAL:</td> <td>TOMMYXIE</td> <td>18/SEP/20</td> </tr> <tr> <td>CUSTOMER:</td> <td></td> <td></td> </tr> </tbody> </table>				SIGNATURES		DATE	DRAWN:	SULLENZANG	14/SEP/20	CHECKED:	ORIONLI	15/SEP/20	ENGINEER:			APPROVAL:	TOMMYXIE	18/SEP/20	CUSTOMER:		
SIGNATURES		DATE																			
DRAWN:	SULLENZANG	14/SEP/20																			
CHECKED:	ORIONLI	15/SEP/20																			
ENGINEER:																					
APPROVAL:	TOMMYXIE	18/SEP/20																			
CUSTOMER:																					
UNLESS OTHERWISE SPECIFIED 1) All dimensions are in metric(mm). 2) Tolerances are as follows: 1 PL DEC ±0.30 Fractions ±1/64 2 PL DEC ±0.15 Angles ±1° 3 PL DEC ±0.08		Amphenol Sine Systems - www.amphenol-sine.com 44724 Morley Drive Clinton Township, MI 48036																			
MATERIAL SPECIFICATIONS:		CONTACT, SOCKET, STAMPED, SIZE 12, 10-12 AWG, A SERIES																			
PROCESS SPECIFICATIONS:		THIS DRAWING IS SUPPLIED FOR INFORMATION ONLY. DESIGN FEATURES, SPECIFICATIONS AND PERFORMANCE DATA SHOWN HEREON ARE THE PROPERTY OF THE AMPHENOL CORPORATION. NO RIGHTS OF REPRODUCTION ARE IMPLIED. ALL DIMENSIONS ARE SUBJECT TO NORMAL MANUFACTURING VARIATIONS.																			
NEXT ASSY:		<table border="1"> <thead> <tr> <th>SIZE</th> <th>TYPE</th> <th>DWG NO.</th> <th>REVISION</th> </tr> </thead> <tbody> <tr> <td>B</td> <td>C-</td> <td>AT62-12-02XX</td> <td>A4</td> </tr> </tbody> </table>	SIZE	TYPE	DWG NO.	REVISION	B	C-	AT62-12-02XX	A4	SCALE: NONE SHEET 1 OF 1										
SIZE	TYPE	DWG NO.	REVISION																		
B	C-	AT62-12-02XX	A4																		

TITLE: CONTACT STAMPED, SIZE 12, 10-12 AWG, A SERIES
 DWG NO: AT62-12-02XX
 REV: A4
 SH: 1
 OF: 1