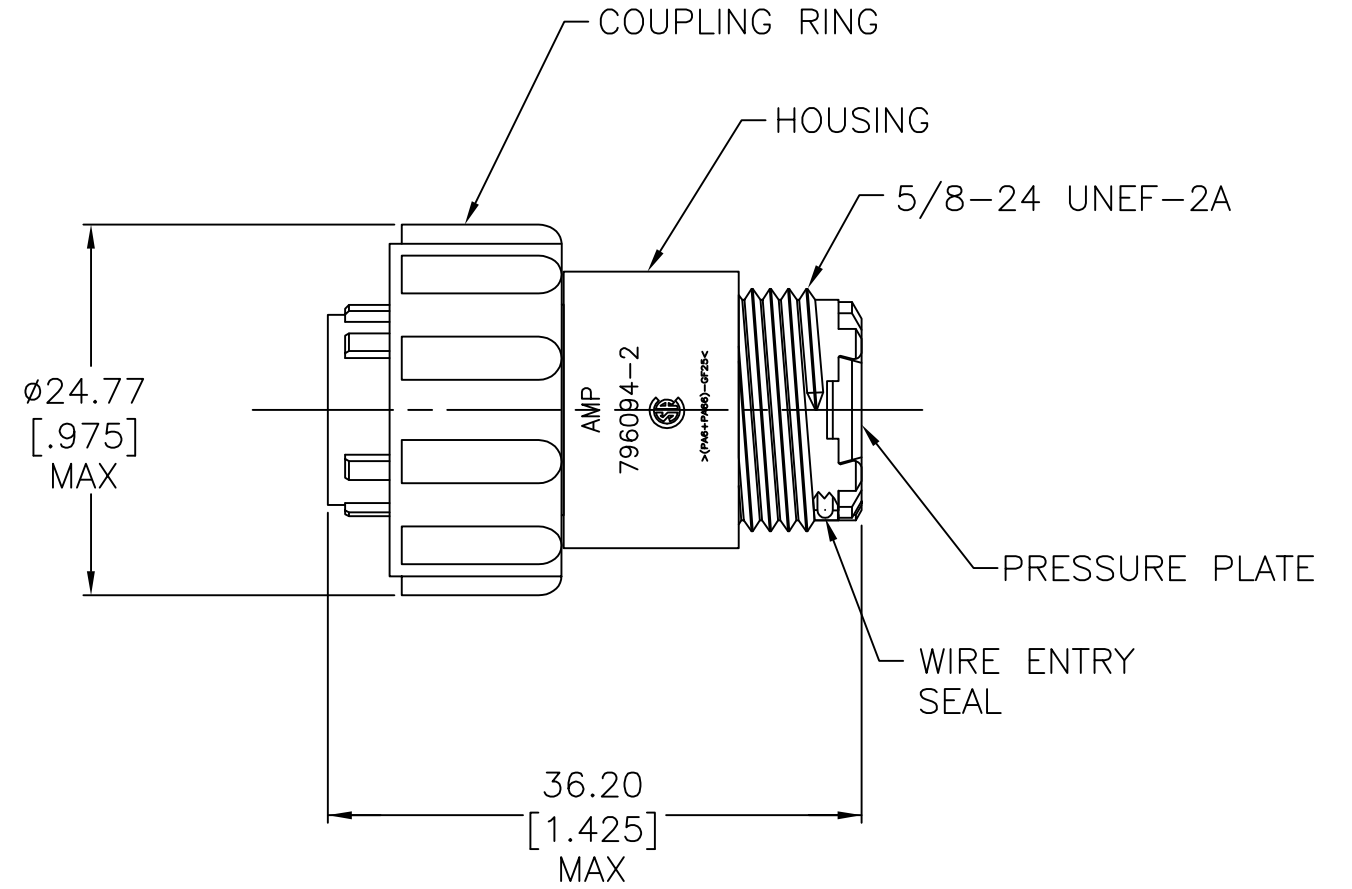
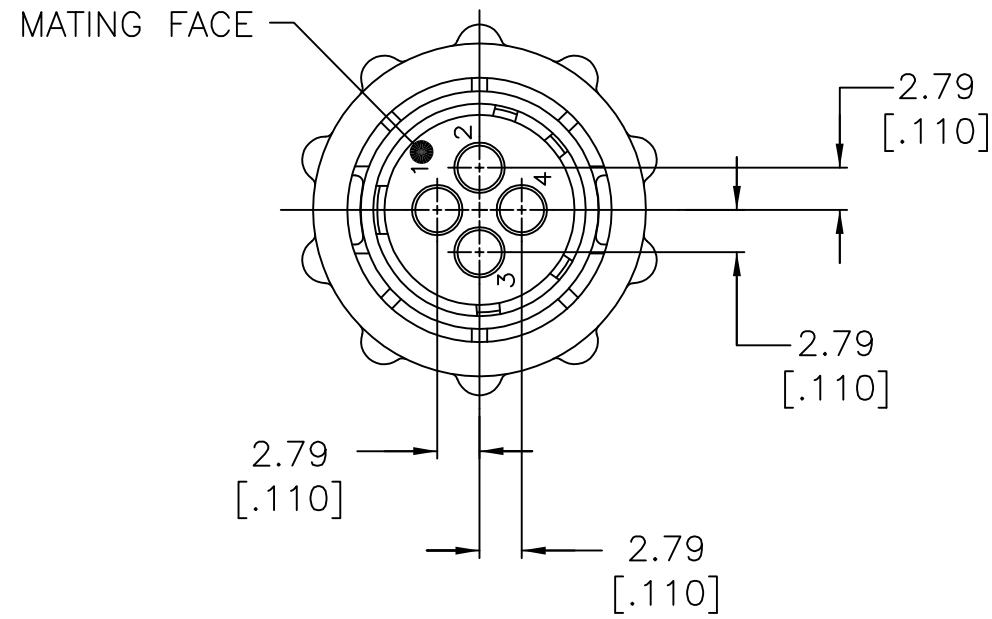



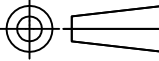
P	LTR	DESCRIPTION	DATE	DWN	APVD
	B2	REVISED PER ECO-16-004800	08SEP2016	NK	MZ
	C	REVISED PER ECR-16-016563	07DEC2016	RS	MZ
	D	REVISED PER ECO-17-010217	14JUL2017	RS	MZ



1 THIS PART WILL ACCEPT FOUR (4) MULTIMATE SOCKET CONTACTS.

2 COUPLING RING, HOUSING, AND PRESSURE PLATE: NYLON, BLACK.
WIRE ENTRY SEAL: ELASTOMER, RED-IRON OXIDE.

OBSOLETE	PULL FREE	796094-4
OBSOLETE	METAL	796094-3
	STANDARD	796094-2
	COUPLING RING STYLE	PART NUMBER

THIS DRAWING IS A CONTROLLED DOCUMENT.		DWN C.DORWART 31 AUG 98	 TE Connectivity			
DIMENSIONS: mm [INCHES]		CHK R.WALTER 31 AUG 98				
TOLERANCES UNLESS OTHERWISE SPECIFIED:		APVD R.WALTER 31 AUG 98	NAME PLUG ASSEMBLY, 11-4, STANDARD SEX, SERIES I, SEALED, CIRCULAR PLASTIC CONNECTOR			
		PRODUCT SPEC -	-			
MATERIAL		APPLICATION SPEC -	SIZE A3	CAGE CODE 00779	DRAWING NO C=796094	RESTRICTED TO -
FINISH		WEIGHT -	SCALE 2:1		SHEET 1 OF 1	REV D
-		CUSTOMER DRAWING				