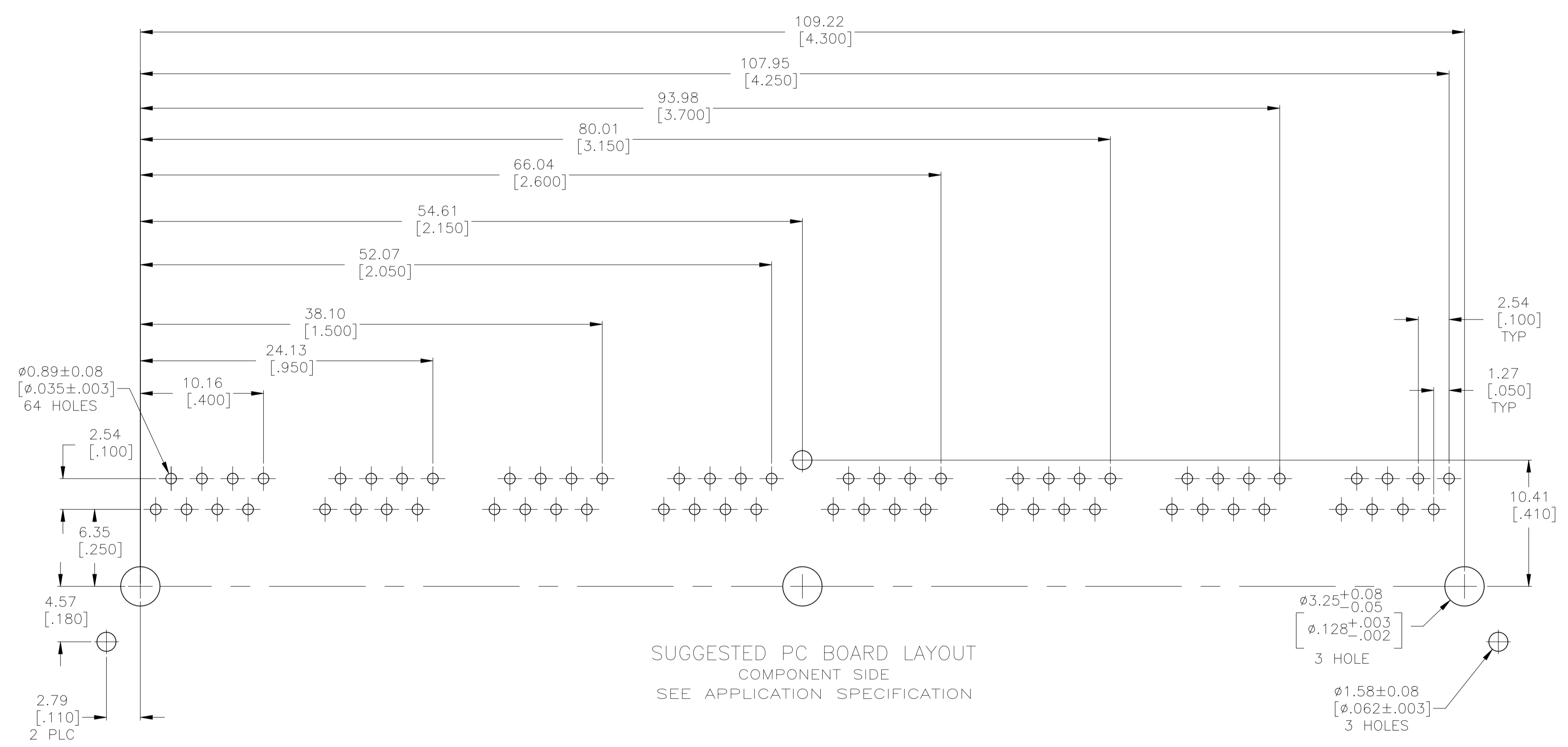
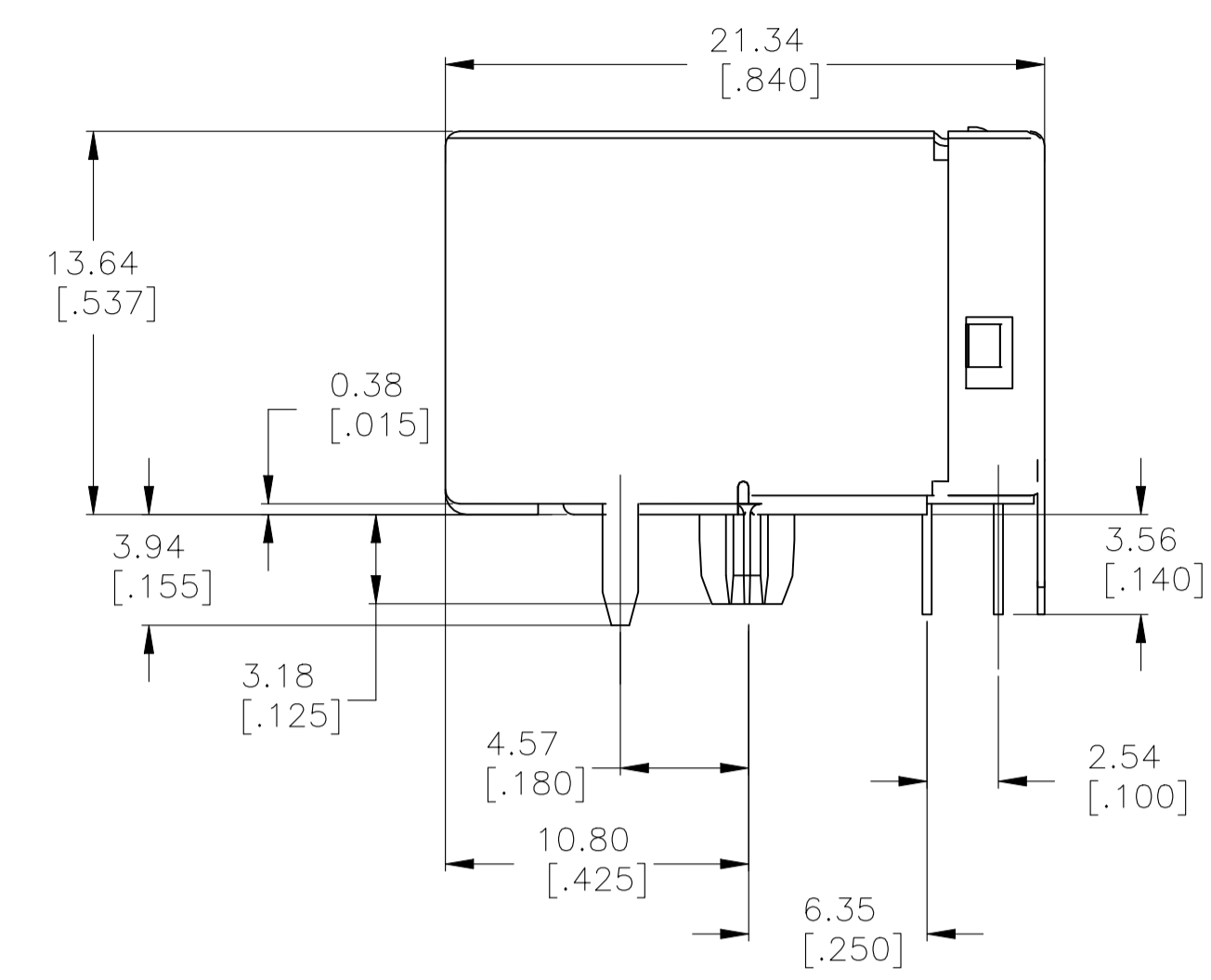
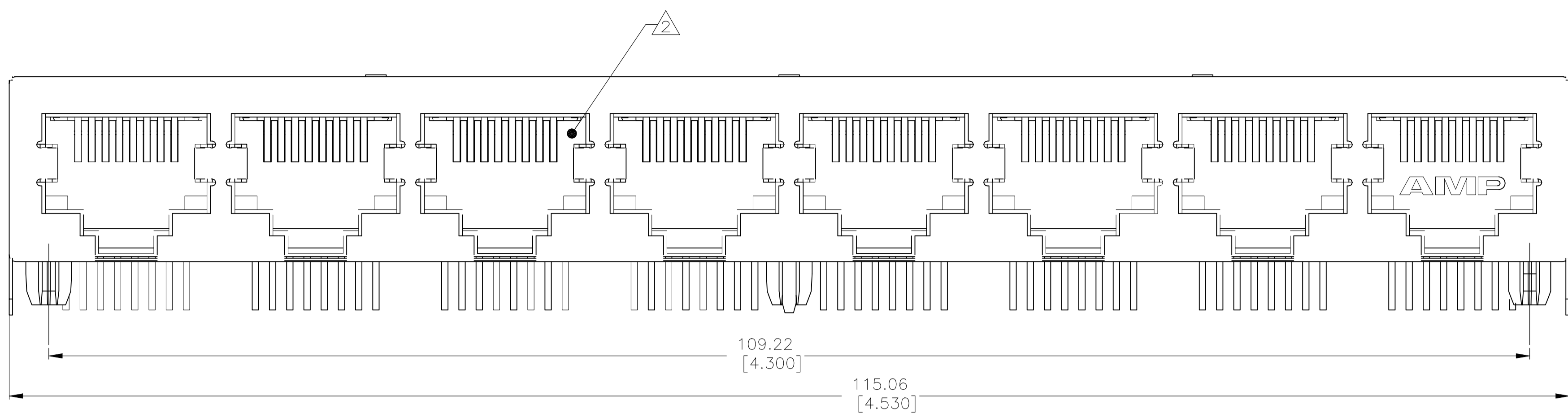


REVISIONS					
REV	DESCRIPTION	DATE	BY	APP'D	
C3	ECR-19-014657	13DEC2020	RR	SZ	



- MATERIAL: HOUSING-HIGH TEMPERATURE NYLON, BLACK, IR COMPATIBLE, UL 94V-0.
TERMINALS - 0.33 [.013] THICK PHOS BRONZE PLATED WITH 1.27um [.000050] MINIMUM HARD GOLD IN LOCALIZED AREA AND 3.81um [.000150] MINIMUM TIN IN SOLDER AREA OVER 1.27um [.000050] MINIMUM NICKEL UNDERPLATE
SHIELDS - 0.25 [.010] THICK COPPER ALLOY PLATED WITH 1.27 um [.000050] MINIMUM NICKEL AND 2.03 um [.000080] MINIMUM HOT TIN DIP ON PCB GROUND TABS.
- △ JACK CAVITY CONFORMS TO FCC RULES AND REGULATIONS, PART 68 SUBPART F.
- △ CAUTION: CATEGORY 5 JACK SOLDER TAIL POSITIONS DO NOT FOLLOW SAME NUMBER SEQUENCE AS THAT OF THE TRADITIONAL JACKS.



5558505-1
PART NO.

THIS DRAWING IS A CONTROLLED DOCUMENT.		DIN W. LONG/L.A.MAYER 04NOV2006 CHK J.WESTMAN 04NOV2006		TE Connectivity MODULAR JACK ASSEMBLY, 8 PORT, 8 POSITION, RIGHT ANGLE, CATEGORY 5e	
DIMENSIONS: mm [INCHES]		TOLERANCES UNLESS OTHERWISE SPECIFIED: 0. PLC ± - 1. PLC ± - 2. PLC ± 0.25[.010] 3. PLC ± - 4. PLC ± - ANGLES ± -			
MATERIAL SEE NOTE 1		FINISH SEE NOTE 1		WEIGHT 0.000000	
				CUSTOMER DRAWING	
				SCALE 4:1 SHEET 1 of 1 REV C3	