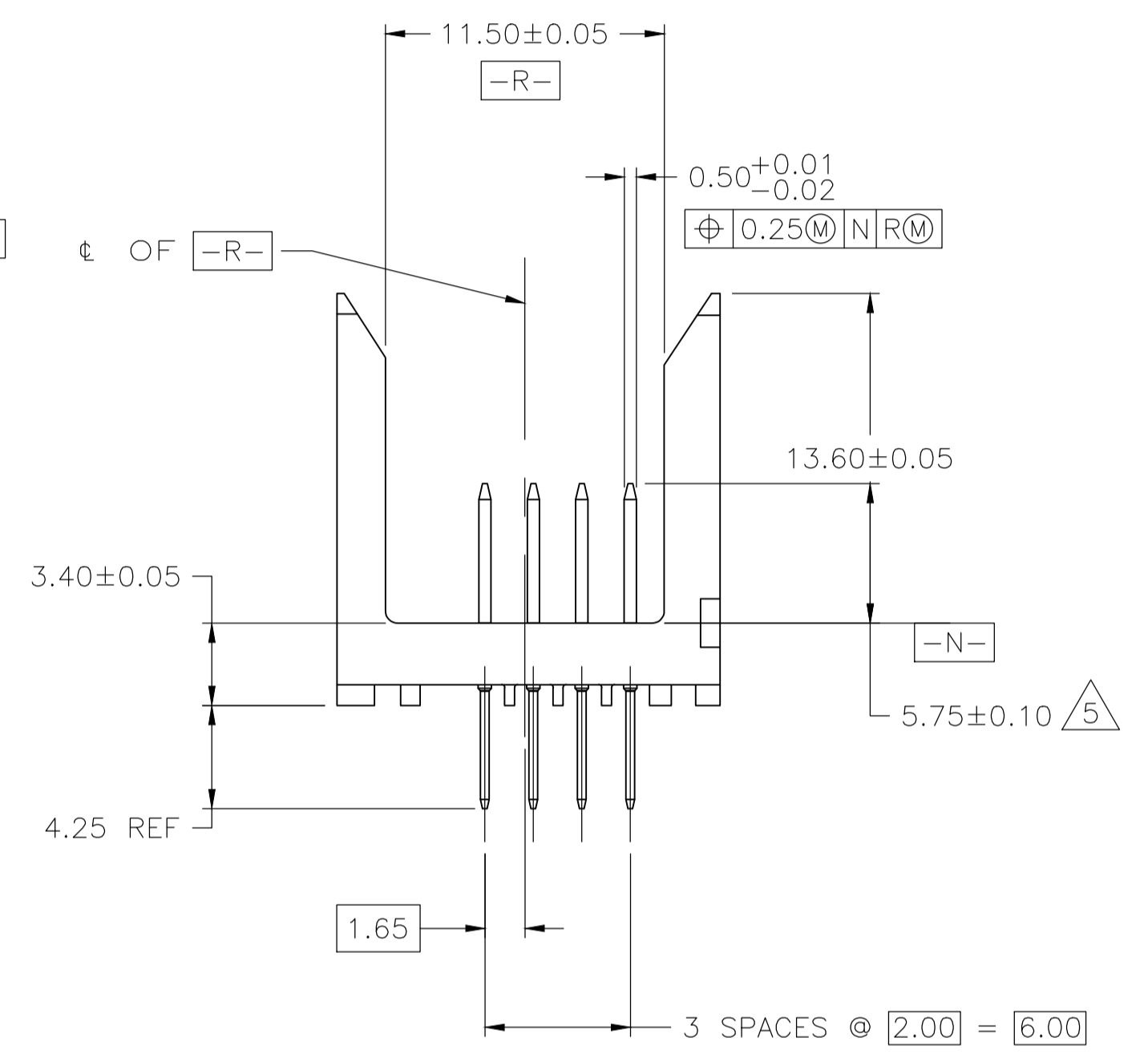
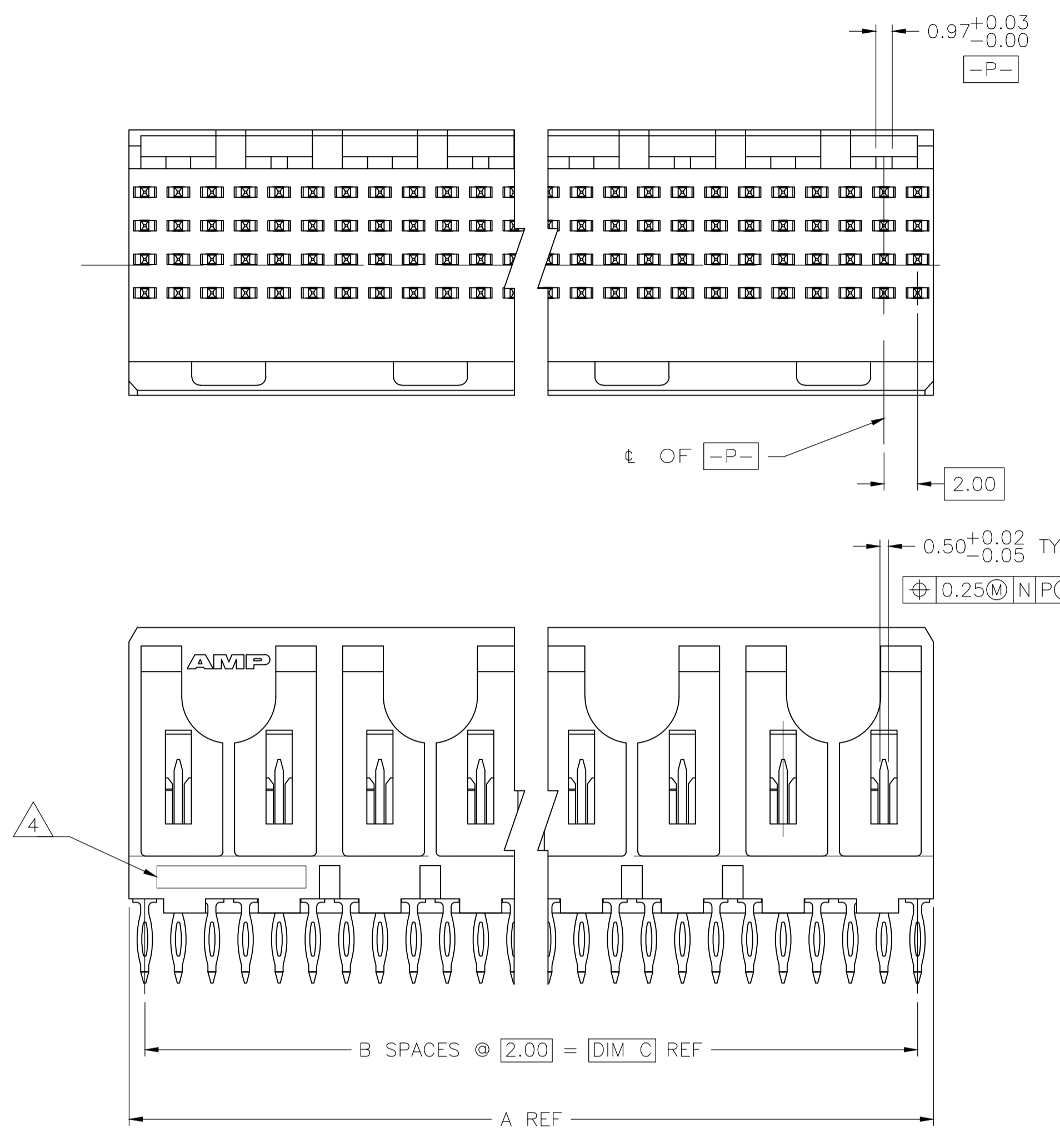
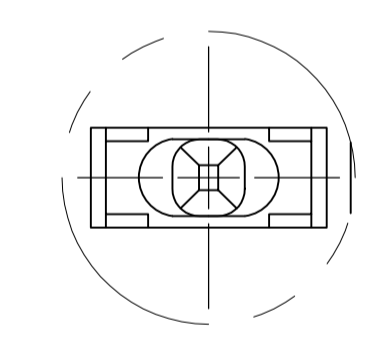
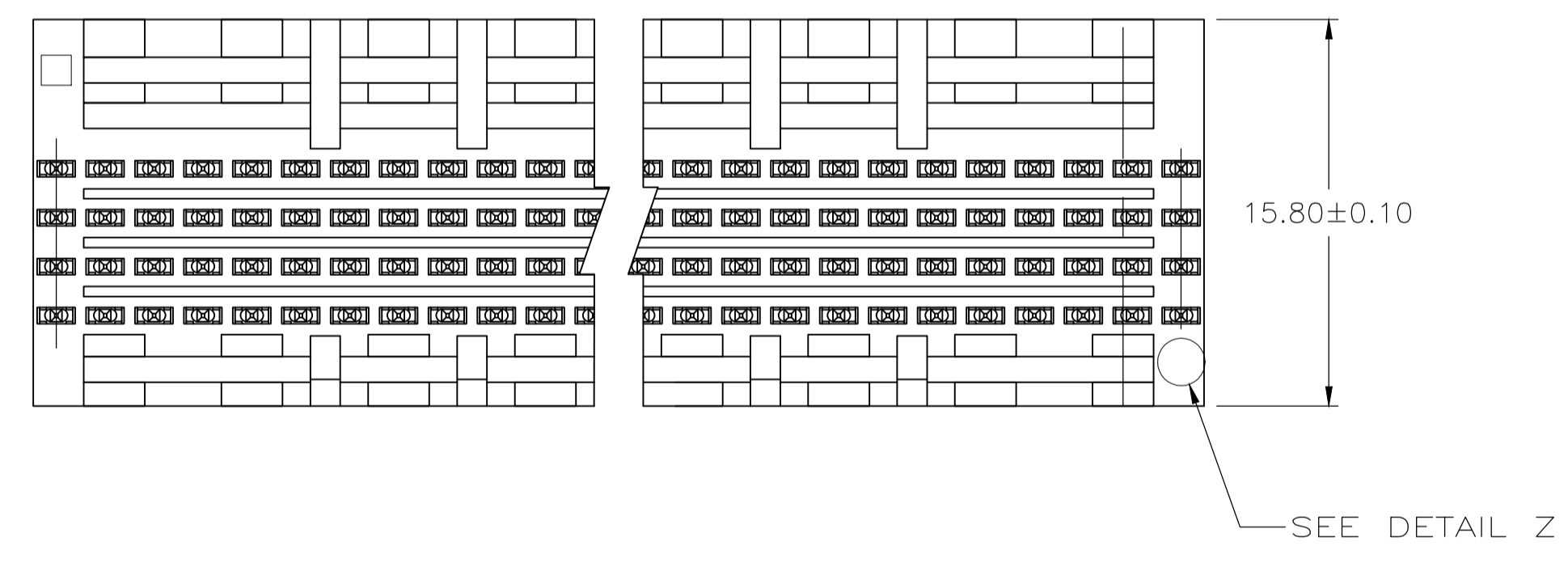


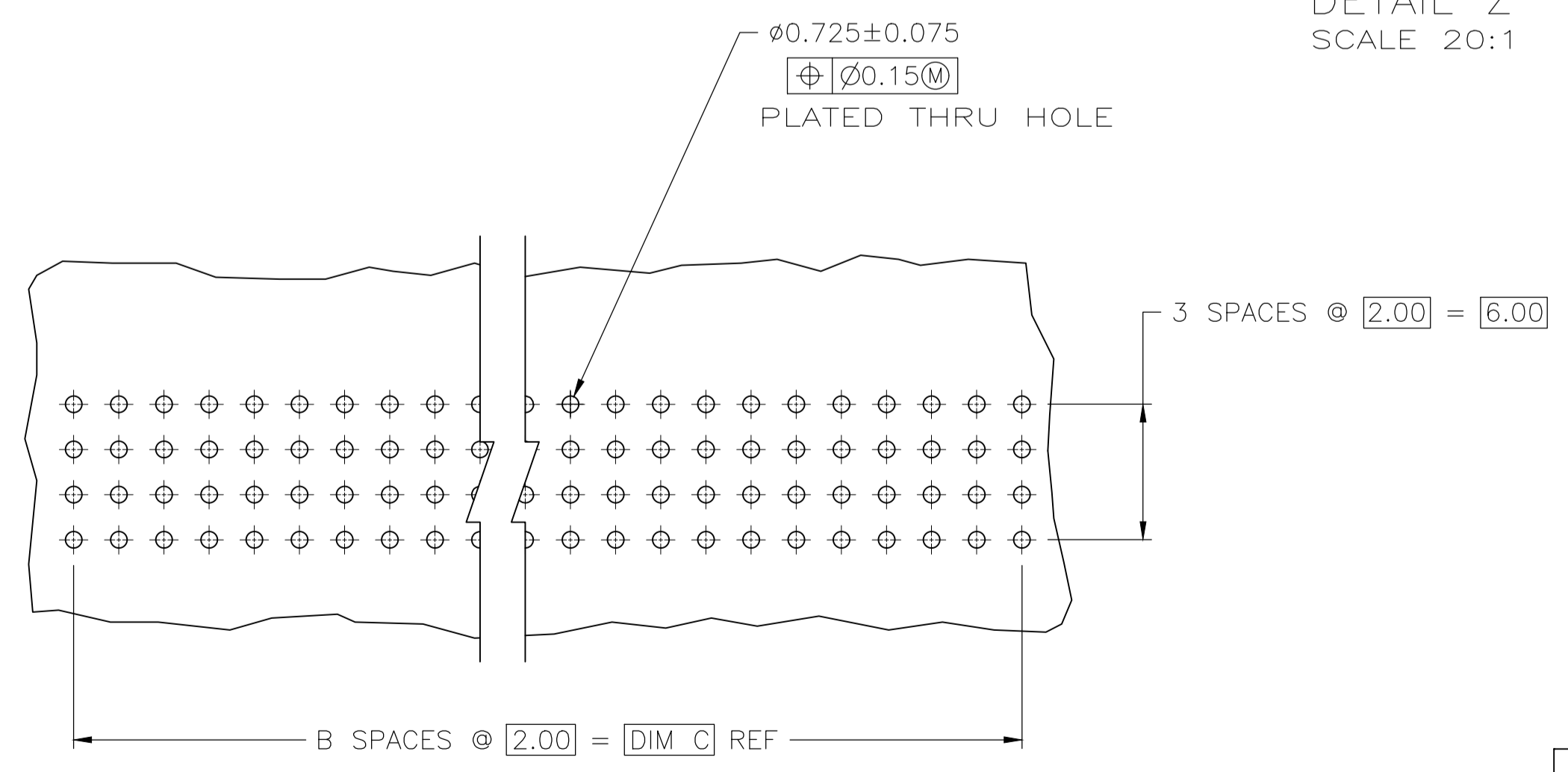
REVISIONS					
P	LTR	DESCRIPTION	DATE	DMN	APVD
C		REVISED PER ECO-20-013368	27SEP2020	RZ	HL



- 1 HOUSING MATERIAL: LIQUID CRYSTAL POLYMER PER ASTM D5138 LCP000 G30A 32250, COLOR: NATURAL.
- 2 CONTACT MATERIAL: PHOSPHOR BRONZE.
- 3 CONTACT FINISH:  
UNDERPLATE (ENTIRE CONTACT):  
0.00127 MIN NICKEL PER SAE-AMS-QQ-N-290.  
ON MATING SURFACES:  
CONFORMS TO ALL TESTING SPECIFIED FOR TELCORDIA UNCONTROLLED ENVIRONMENT.  
ON LEADS  
0.0006 MIN TIN PER ASTM B 545 OVER UNDERPLATE.  
LUBRICATION (MIN MATING SURFACES):  
SURFACE CONDITIONER AFTER PLATING.
- 4 PART MARKING, LOCATED APPROXIMATELY AS SHOWN.
- 5 DIMENSION APPLIES WHEN SEATED ON PRINTED CIRCUIT BOARD.
- 6 OBSOLETE PARTS: OBSOLETE CIS STREAMLINING PER D.RENAUD/D.SINISI



DETAIL Z  
SCALE 20:1



RECOMMENDED CIRCUIT PATTERN  
PER IPC-D300 TYPE II, CLASS C  
(COMPONENT SIDE)

OBSOLETE	10	5	11.88	△	24	-5536524-9
	-	-	-	-	-	-
OBSOLETE	58	29	59.88	△	120	-5536524-6-
	-	-	-	-	-	-
	94	47	95.88	△	192	5536524-4
△ OBSOLETE	46	23	47.88	△	96	-5536524-3-
	22	11	23.88	△	48	5536524-2
	118	59	119.88	△	240	5536524-1
	C	B	A	FINISH	NO OF POSN	PART NUMBER

THIS DRAWING IS A CONTROLLED DOCUMENT.

DIMENSIONS:	TOLERANCES UNLESS OTHERWISE SPECIFIED:	DIN R MCMASTER 01SEP04	APVD R WERTZ 01SEP04	NAME
INCHES				
	0. PLC ± -			
	1. PLC ± -			
	2. PLC ± 0.13			
	3. PLC ± -			
	4. PLC ± -			
	ANGLES ± -			
MATERIAL	FINISH	WEIGHT	SIZE	RESTRICTED TO
△ 1	△ 2	0.000000	A1 00779 C=5536524	
	△ 3	CUSTOMER DRAWING	SCALE 4:1	SHEET 1 OF 1 REV C

STE TE Connectivity  
PIN ASSY SIGNAL MODULE Z-PACK 2mm FB  
2mm 4R 5.75mm MATING LENGTH  
PRESS FIT LEADS