

注記 NOTES

1. 使用材料 MATERIAL

- ハウジング : 液晶ポリマー ガラス充填, UL94-V0(ベージュ)
- HOUSING : LIQUID CRYSTAL POLYMER GLASS FILLED, UL94V-0(BEIGE)
- アクチュエータ : PPS ガラス充填, UL94V-0(黒)
- ACTUATOR : PPS GLASS FILLED, UL94V-0(BLACK)
- ターミナル : リン青銅(t=0.15)
- TERMINAL : PHOSPHOR BRONZE
- 金具 : リン青銅(t=0.15)
- FITTING NAIL : PHOSPHOR BRONZE

△ R0.3は、FPC導体部にかからないこと。
R0.3 MUST NOT BE OVERLAPPED TO PATTERN OF FPC.

- 6. N: 極数 N: CIRCUIT.
- 7. ELV及びRoHS適合品
ELV AND RoHS COMPLIANT

2. めっき仕様 PLATING

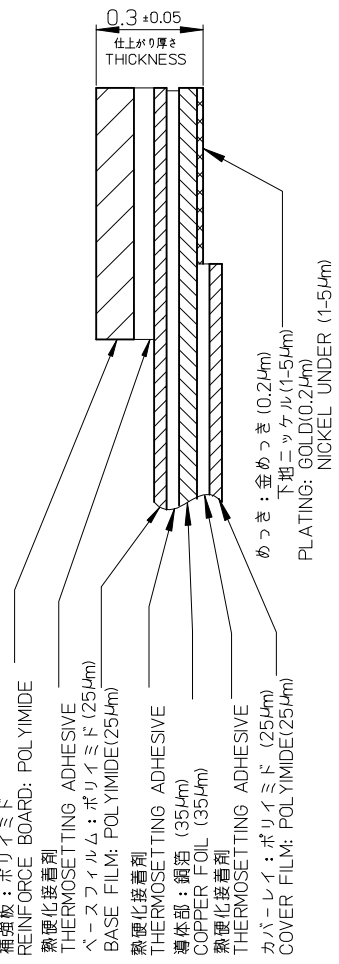
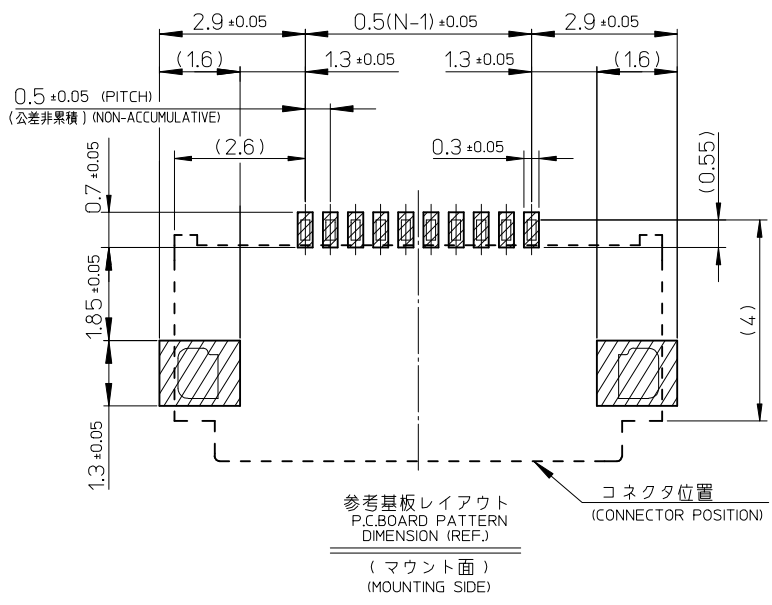
- ターミナル TERMINAL
ニッケル下地 接点部: 金めっき、半田付け部: 錫めっき
CONTACT AREA: GOLD(Au), TAIL AREA: TIN(Sn)
UNDER: NICKEL(Ni) PLATING.
- 金具 FITTING NAIL
ニッケル下地 錫めっき
TIN(Sn) UNDER NICKEL(Ni) PLATING.

3. エンボスターペーパー梱包時は、アクチュエータが開いた状態とする。
IN THE PACKAGE, ACTUATOR OF PART 503199-97** SHOULD BE CLOSED.

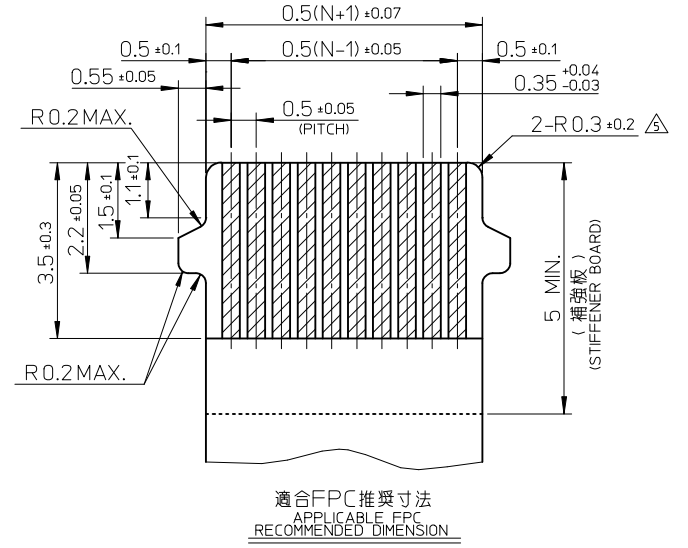
△ パターン剥離止め用金具
FITTING NAIL FOR PREVENTION OF PEELING OF P.C.B. PATTERN.

40.1	36.5	41.7	503199-9674	503199-9774	74
36.1	32.5	37.7	503199-9666	503199-9766	66
25.6	22.0	27.2	503199-9645	503199-9745	45
C	B	A	EMBOSSD TAPE	MATERIAL NO.	CIRCUIT
ORDER No. オーダー番号					

REVISED EC NO: J2009-2234 DRWN:MTAKASAKI 2009/04/08 CHKD:MHAYASHI 2009/04/09 APPR:NUKITA 2009/04/10	DESCRIPTION	GENERAL TOLERANCES (UNLESS SPECIFIED)		DIMENSION STYLE MM ONLY		SCALE ---	DESIGN UNITS METRIC	THIRD ANGLE PROJECTION	
		10 UNDER	± ---	DRAWN BY M. HAYASHI	DATE 2008/02/20	TITLE 0.5 FPC CONN ZIF E/O 2 CONTACTS TYPE HSG ASSY (H=2.5)			
		10 OVER 30 UNDER	± ---	CHECKED BY T. HARUYAMA	DATE 2008/02/20	MOLEX INCORPORATED			
		30 OVER	± ---	APPROVED BY N. UKITA	DATE 2008/02/20				
REV	ANGULAR ± --- °	DRAFT WHERE APPLICABLE MUST REMAIN WITHIN DIMENSIONS		SEE CHART		DOCUMENT NO. SD-503199-001		SHEET NO. 1 OF 2	
SIZE A3		THIS DRAWING CONTAINS INFORMATION THAT IS PROPRIETARY TO MOLEX INCORPORATED AND SHOULD NOT BE USED WITHOUT WRITTEN PERMISSION							



FPC構成推奨仕様
STRUCTURE OF FPC



FPC について:

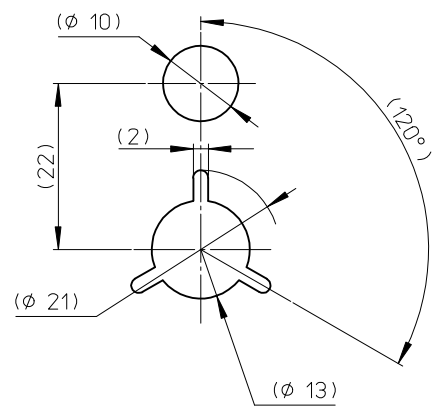
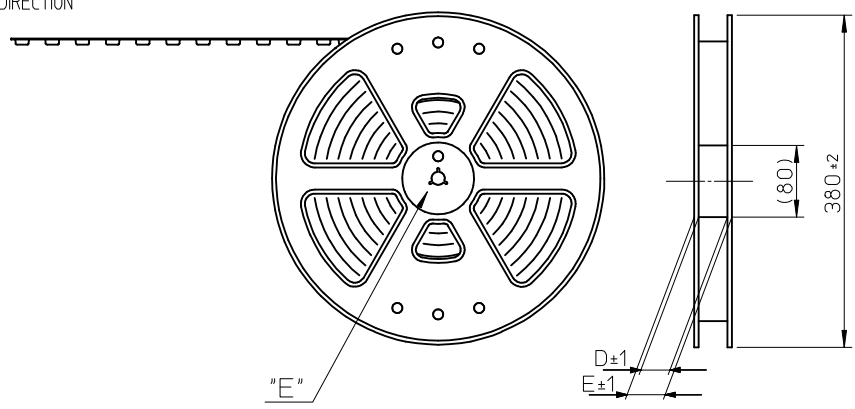
打ち抜き方向は導体側から補強板側を推奨します。
導体部については軟銅箔35µmまたは50µmを推奨します。
補強フィルム材質はポリイミドを推奨します。ベースフィルムは25µmを推奨します。
接着剤は熱硬化接着剤を推奨します。
尚、接着剤の接点部への付着は導通不良の原因になりますので、染み出しが無い様お願い致します。

ABOUT FPC

RECOMMENDED PUNCHER DIRECTION : FROM CONDUCTOR SIDE TO STIFFENER FILM SIDE.
RECOMMENDED CONDUCTOR SPEC :
THICKNESS OF SOFT COPPER FOIL : 35 MICROMETER OR 50 MICROMETER.
RECOMMENDED MATERIAL/THICKNESS.
STIFFENER FILM : POLYIMIDE
BASE FILM THICKNESS : 25µm
BONDING AGENT : THERMOSETTING BONDING AGENT
PLEASE PUT APPROPRIATE AMOUNT OF ADHESIVE ON ADHEREND BECAUSE THERE IS A POSSIBILITY THAT THE EXTRA ADHESIVE CAUSES THE DEFECT IN ELECTRICAL CONTINUITY.

SEE SHEET 1 OF 2 EC NO: J2009-2234 DRWN:MTAKASAKI 2009/04/08 CHKD:HAYASHI 2009/04/09 APPR:NUKITA 2009/04/10	GENERAL TOLERANCES (UNLESS SPECIFIED)		DIMENSION STYLE MM ONLY		SCALE ---	DESIGN UNITS METRIC	THIRD ANGLE PROJECTION
	10 UNDER	± ---	DRAWN BY M. HAYASHI	DATE 2008/02/20	TITLE 0.5 FPC CONN ZIF E/O 2 CONTACTS TYPE HSG ASSY (H=2.5)		
	10 OVER 30 UNDER	± ---	CHECKED BY T. HARUYAMA	DATE 2008/02/20	MOLEX INCORPORATED		
	30 OVER	± ---	APPROVED BY N. UKITA	DATE 2008/02/20	DOCUMENT NO. SD-503199-001		
REV	DESCRIPTION	ANGULAR ± --- °		MATERIAL NO.		SHEET NO.	
B		DRAFT WHERE APPLICABLE MUST REMAIN WITHIN DIMENSIONS		SEE SHEET 1		2 OF 2	
		SIZE A3		THIS DRAWING CONTAINS INFORMATION THAT IS PROPRIETARY TO MOLEX INCORPORATED AND SHOULD NOT BE USED WITHOUT WRITTEN PERMISSION			

引き出し方向
PULL OUT DIRECTION



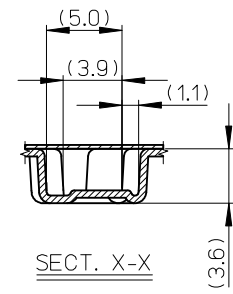
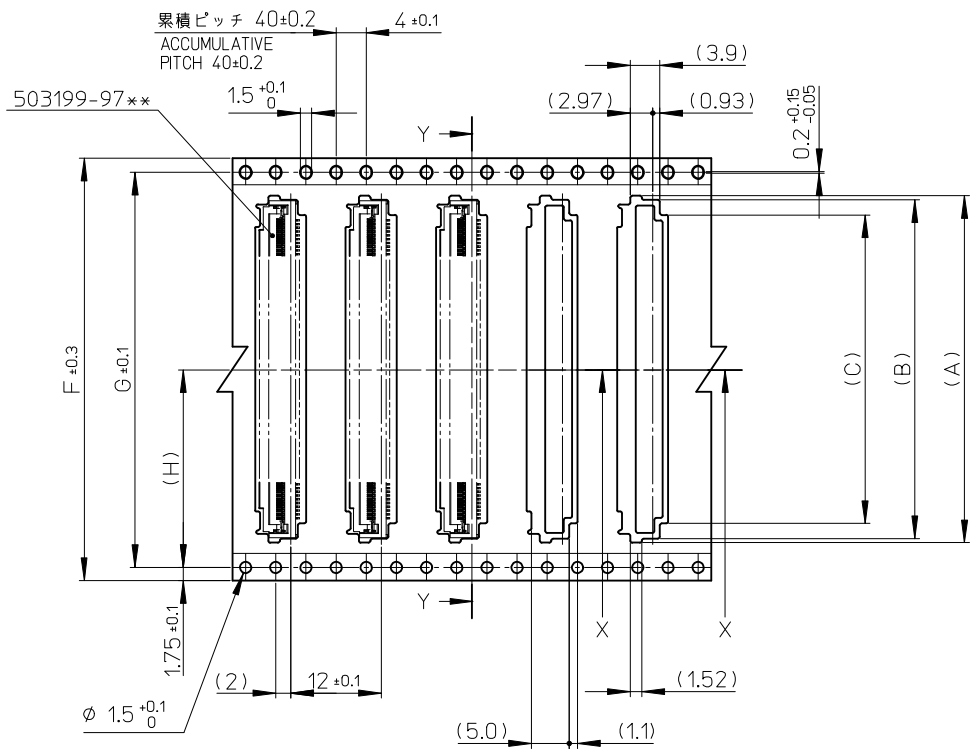
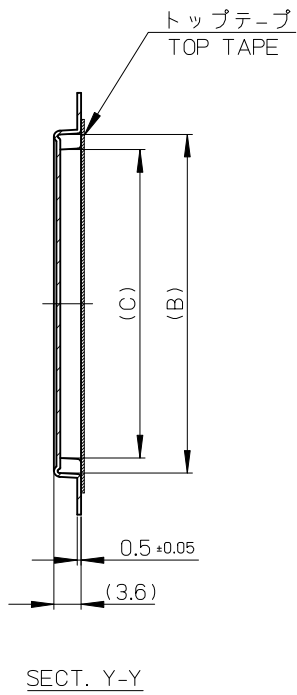
DETAIL "E"

NOTES

- 梱包数量 : 2000個/リール
NUMBER OF CONNECTORS : 2000PIECES/REEL
- リードテープ長さ
LEAD TAPE LENGTH
- 製品詳細寸法については図面 SD-503199-001を参照下さい。
FOR DIMENSIONS OF PRODUCT, REFER TO SD-503199-001.
- 材料 MATERIAL
 キャリアテープ : ポリスチレン
 CARRIER TAPE : POLYSTYRENE
 トップテープ : ポリエチレンテレフタレート 他
 TOP TAPE : POLYETHYLENE TEREPHTHALATE , OTHER
 リール : ポリスチレン<リサイクル材を含む>
 REEL : POLYSTYRENE<RECYCLE MATERIAL CONTAINED>
- ELV及びRoHS適合品 ELV AND RoHS COMPLIANT

REVISED EC NO: J2009-2234 DR: M. TAKASAKI 2009/04/08 CHKD: M. HAYASHI 2009/04/09 APPR: N. UKITA 2009/04/10	DESCRIPTION REV	GENERAL TOLERANCES (UNLESS SPECIFIED)		DIMENSION STYLE MM ONLY		SCALE --	DESIGN UNITS METRIC	THIRD ANGLE PROJECTION		
		10 UNDER	± ---	DRAWN BY M. HAYASHI	DATE 2008/02/21	TITLE 0.5 FPC CONN ZIF E/O 2 CONTACTS TYPE EMBSTP PACKAGE (H=2.5)				
		10 OVER 30 UNDER	± ---	CHECKED BY T. HARUYAMA	DATE 2008/02/21	MOLEX MOLEX INCORPORATED				
		30 OVER	± ---	APPROVED BY N. UKITA	DATE 2008/02/21	MATERIAL NO. SEE SHEET 1		DOCUMENT NO. SD-503199-002	SHEET NO. 1 OF 2	
		ANGULAR ± --- ° DRAFT WHERE APPLICABLE MUST REMAIN WITHIN DIMENSIONS		THIS DRAWING CONTAINS INFORMATION THAT IS PROPRIETARY TO MOLEX INCORPORATED AND SHOULD NOT BE USED WITHOUT WRITTEN PERMISSION						

引き出し方向
PULL OUT
DIRECTION



56	26.2	52.4	56	61.4	57.4	37.9	41.9	43	503199-9674	74
44	20.2	40.4	44	49.4	45.4	33.9	37.9	39	503199-9666	66
キャリアテープ幅 CARRIER TAPE WIDTH	(H)	G	F	E	D	(C)	(B)	(A)	製品番号 MATERIAL NO.	極数 CIRCUIT

SEE SHEET 1 OF 2 EC NO: J2009-2234 DRWN:MTAKASAKI 2009/04/08 CH'KD:MHAYASHI 2009/04/09 APPR:NUKITA 2009/04/10	GENERAL TOLERANCES (UNLESS SPECIFIED)		DIMENSION STYLE MM ONLY		SCALE --	DESIGN UNITS METRIC	THIRD ANGLE PROJECTION		
	10 UNDER	± ---	DRAWN BY M. HAYASHI		DATE 2008/02/21		TITLE 0.5 FPC CONN ZIF E/O 2 CONTACTS TYPE EMBSTP PACKAGE (H=2.5)		
	10 OVER 30 UNDER	± ---	CHECKED BY T. HARUYAMA		DATE 2008/02/21		MOLEX INCORPORATED DOCUMENT NO. SD-503199-002 SHEET NO. 2 OF 2		
	30 OVER	± ---	APPROVED BY N. UKITA		DATE 2008/02/21				
ANGULAR ± --- °		DRAFT WHERE APPLICABLE MUST REMAIN WITHIN DIMENSIONS		MATERIAL NO. SEE CHART		THIS DRAWING CONTAINS INFORMATION THAT IS PROPRIETARY TO MOLEX INCORPORATED AND SHOULD NOT BE USED WITHOUT WRITTEN PERMISSION			