

REVISION -
05-06-96 TS

REVISION A
REFORMATTED
08/14/96 TS

REVISION B
REFORMATTED
07/14/97 TS

REVISION C
CORRECTED
P/N's
09/29/97 TS

REVISION D
CHANGED A.7.
08/23/99 TS

REVISION E
ADDED RoHS
12/15/05 MP

REVISION F
SAFETY UPDATE
6/18/09 MP

A. Electrical Specifications (@ 25°C)

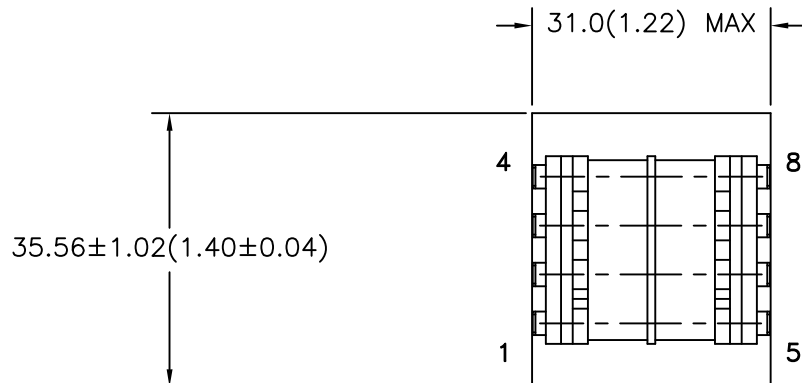
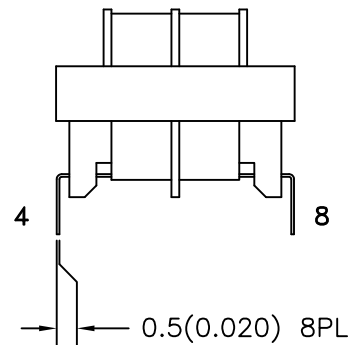
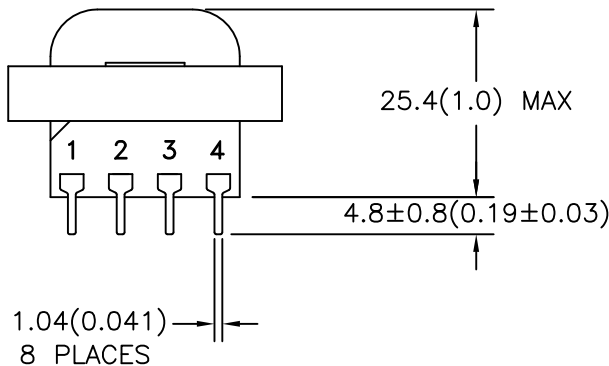
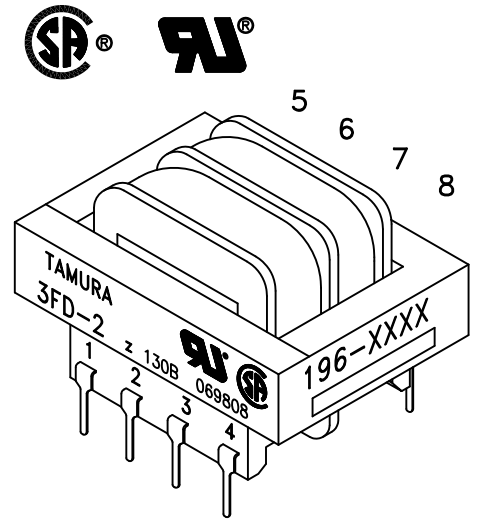
1. Maximum Power: 1.1VA
2. Input Voltage and Frequency: 115/230V 50/60 Hz
3. Secondary Voltage: See Table A
4. Voltage Regulation: 24% TYP @ full load to no load
5. Temperature Rise: 35°C TYP (45°C MAX allowed)
6. Insulation Resistance:
 - 100 MΩ MIN @ 500VDC, Pri to Sec, Pri to Core
 - 100 MΩ MIN @ 500VDC, Sec to Core
7. Hi-Pot: 2500 Vrms 1 minute @ Pri to Sec
1500 Vrms 1 minute @ Pri to Core
1500 Vrms 1 minute @ Sec to Core
500 Vrms 1 minute @ Sec to Sec



B. Marking: TAMURA, Tamura part number (see sheet 2), MICROTRAN, Microtran part number (see sheet 2), date code, country of origin, safety logos and input and output ratings

- C. Safety:
- Insulation Class B (130°C) File No. E92957.
 - CSA 22.2 No. 66-1988, File No. 069808.
 - UL 1585, Class 2 or 3, Inherently limited, File No. E95844.
 - UL 506, General Purpose, File No. E91239.

D. Mechanical Specifications:



PREPARED BY:

E. BRINER

ENGINEER:

M. PITCHAI

SAFETY ENGINEER

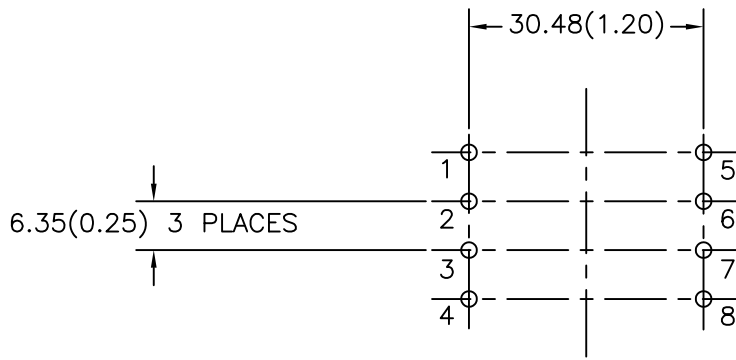
B. O.

APPROVED:

T. BROOKS

DRAWING CONTROL NO.	REV	MODEL DESCRIPTION	MODEL SPECIFICATION
P-A1-11644	F	SIZE 2 3FD & PSD FAMILY POWER TRANSFORMER	3FD-2XX & PSD2-XX
CONTENTS OF THIS DRAWING ARE SUBJECT TO CHANGE WITHOUT PRIOR NOTICE		TAMURA CORPORATION OF AMERICA 1040 SOUTH ANDREASEN DRIVE, #100 ESCONDIDO, CA. 92029 (951) 699-1270 FAX 7607400536	DIM: mm[In] SCL: NONE SH: 1 OF 2

PROPRIETARY NOTICE: THIS DRAWING PRINT OR DOCUMENT AND SUBJECT MATTER DISCLOSED HEREIN ARE PROPRIETARY ITEMS TO WHICH TAMURA RETAINS THE EXCLUSIVE RIGHT OF DISSEMINATION, REPRODUCTION, MANUFACTURE AND SALE. THIS DRAWING, PRINT OR DOCUMENT IS SUBMITTED IN CONFIDENCE FOR CONSIDERATION BY THE RECIPIENT ALONE UNLESS PERMISSION FOR FURTHER DISCLOSURE IS EXPRESSLY GRANTED IN WRITING.

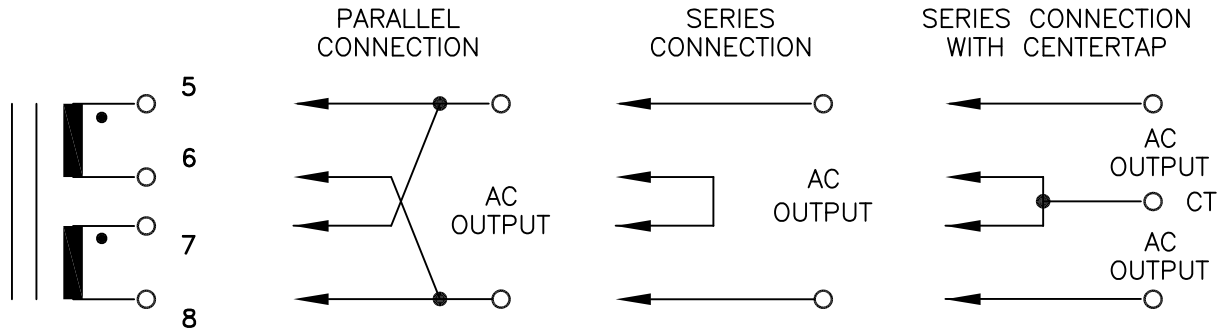


MODEL NUMBER

3FD-2XX & PSD2-XX

F. Connection Diagram:

PRIMARY INPUT CONNECTIONS



*not UL – recognized for series connect.

G. Table A: (NOTE: all parts are dual marked with both part numbers)

TAMURA PART NO.	MICROTRAN PART NO.	PARALLEL CONNECTION		SERIES CONNECTION		SERIES CONNECTION WITH CT	
		AC VOLTS	RMS AMPS	AC VOLTS	RMS AMPS	AC VOLTS	RMS AMPS
3FD-210	PSD2-10	5.0	0.220	10.0	0.110	5.0-CT-5.0	0.110
3FD-212	PSD2-12	6.3	0.180	12.6	0.090	6.3-CT-6.3	0.090
3FD-216	PSD2-16	8.0	0.140	16.0	0.070	8.0-CT-8.0	0.070
3FD-220	PSD2-20	10.0	0.110	20.0	0.055	10.0-CT-10.0	0.055
3FD-224	PSD2-24	12.0	0.090	24.0	0.045	12.0-CT-12.0	0.045
3FD-228	PSD2-28	14.0	0.080	28.0	0.040	14.0-CT-14.0	0.040
3FD-236	PSD2-36	18.0	0.060	36.0	0.030	18.0-CT-18.0	0.030
3FD-248	PSD2-48	24.0	0.046	48.0	0.023	24.0-CT-24.0	0.023
3FD-256	PSD2-56	28.0	0.040	56.0	0.020	28.0-CT-28.0	0.020
3FD-2120	PSD2-120	60.0	0.020	120.0*	0.010	60.0-CT-60.0	0.010

PREPARED BY:

E. BRINER

ENGINEER:

M. PITCHAI

SAFETY ENGINEER

B. O.

APPROVED:

T. BROOKS

DRAWING CONTROL NO.

P-A1-11644

REV

F

MODEL DESCRIPTION

SIZE 2 3FD & PSD FAMILY
POWER TRANSFORMER

TAMURA CORPORATION OF AMERICA

1040 SOUTH ANDREASEN DRIVE, #100 ESCONDIDO, CA. 92029
(951) 699-1270 FAX 7607400536

MODEL SPECIFICATION

3FD-2XX & PSD2-XX

DIM: mm[In] SCL: NONE SH: 2 OF 2

PROPRIETARY NOTICE: THIS DRAWING PRINT OR DOCUMENT AND SUBJECT MATTER DISCLOSED HEREIN ARE PROPRIETARY ITEMS TO WHICH TAMURA RETAINS THE EXCLUSIVE RIGHT OF DISSEMINATION, REPRODUCTION, MANUFACTURE AND SALE. THIS DRAWING, PRINT OR DOCUMENT IS SUBMITTED IN CONFIDENCE FOR CONSIDERATION BY THE RECIPIENT ALONE UNLESS PERMISSION FOR FURTHER DISCLOSURE IS EXPRESSLY GRANTED IN WRITING.