

4

3

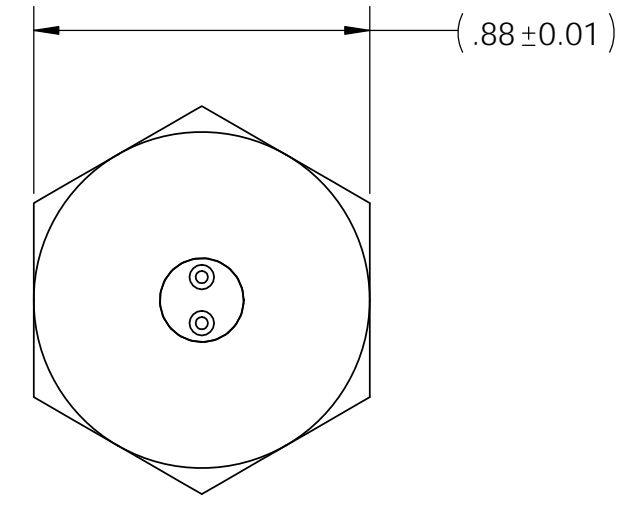
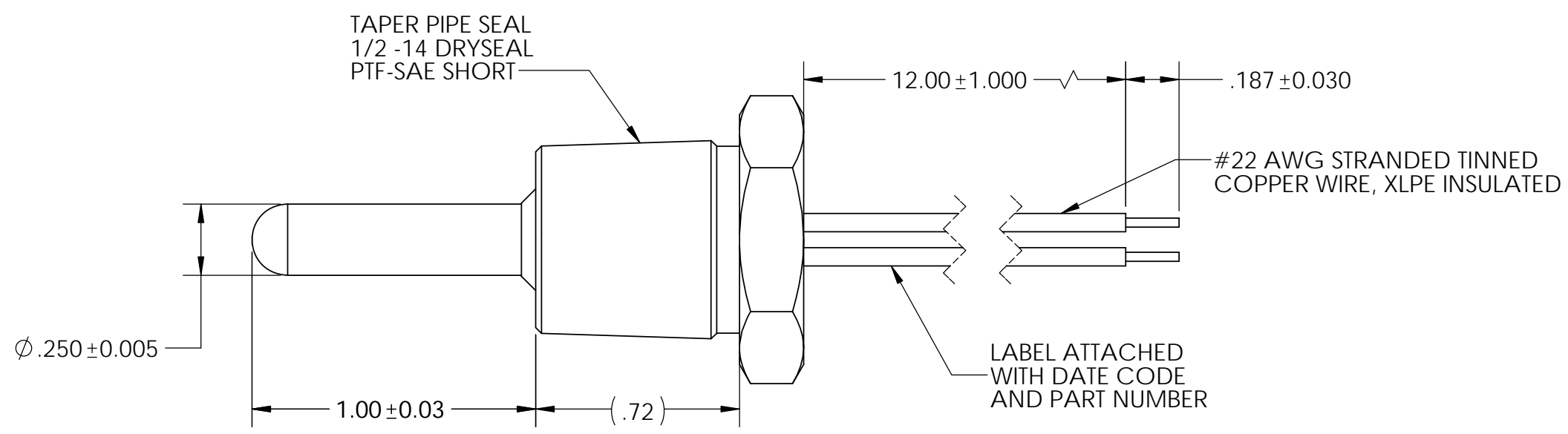
2

1

ZONE	REV.	REVISION DESCRIPTION	ECN NO.	DATE
	A	INITIAL RELEASE FOR PRODUCTION; RF	ECO-142793	21-APR-2017

NOTES:

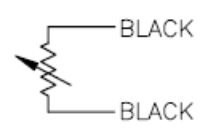
1. USERS ARE SOLELY RESPONSIBLE FOR DESIGN, APPLICATION, AND FUNCTION OF THE END USE PRODUCT. USERS MUST EVALUATE THE SUITABILITY OF THESE DEVICES TO THEIR APPLICATION.
2. DIMENSIONS SHOWN ARE FOR REFERENCE ONLY.
3. RESISTANCE TOLERANCE AT 25 °C IS ±2.5%
4. STORAGE TEMPERATURE: -40 °C TO 125 °C
5. SENSOR INPUT: 0.4mA MAX



MATERIAL: 300 SERIES STAINLESS STEEL

-40	-40	317,800	351,100	387,600
0	32	31,420	33,020	34,680
25	77	9,750	10,000	10,250
100	212	620.9	671.8	726.5
150	302	163.8	181.8	201.6
°C	°F	MIN	NOM	MAX
TEMPERATURE		NO LOAD RESISTANCE (OHMS)		

SCHEMATIC DIAGRAM



FOR REFERENCE ONLY, CHECK LATEST REVISION BEFORE USE.
PARTS MADE TO THIS PRINT MUST CONFORM TO E9898 REV. E.

DRAWN R. FERNANDES DATE 21-APR-2017	SENSATA TECHNOLOGIES PROPRIETARY AND CONFIDENTIAL. NEITHER THIS PRINT NOR THE INFORMATION CONTAINED HEREON IS TO BE USED AGAINST THE INTERESTS OF SENSATA TECHNOLOGIES OR AGAINST THE INTERESTS OF ANY OF ITS AFFILIATED COMPANIES OR WHOLLY OWNED SUBSIDIARIES.	529 PLEASANT STREET P.O. BOX 2964 ATTLEBORO, MA 02703	
ENGINEER B. CURRIER DATE 21-APR-2017		TITLE 3F0231212A ENVELOPE DRAWING	
APPROVED D. MULLEN DATE 21-APR-2017		SIZE A3	DWG NO. 3F0231212A
APPROVED R. RIVERA DATE 21-APR-2017	DO NOT SCALE DRAWING	THIRD ANGLE PROJECTION	SCALE 2:1 SOLIDWORKS SHEET 1 OF 1

4

3

2

1