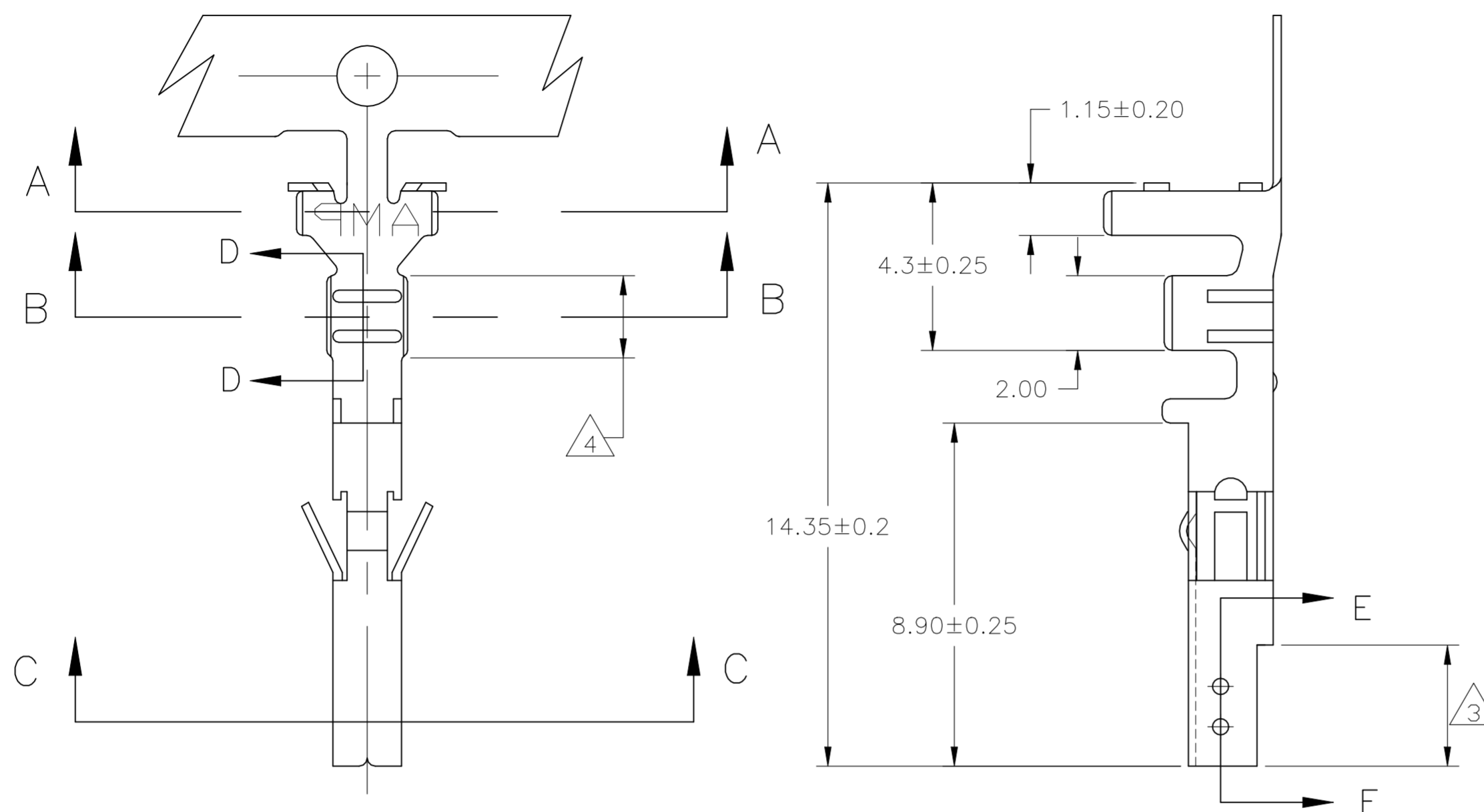
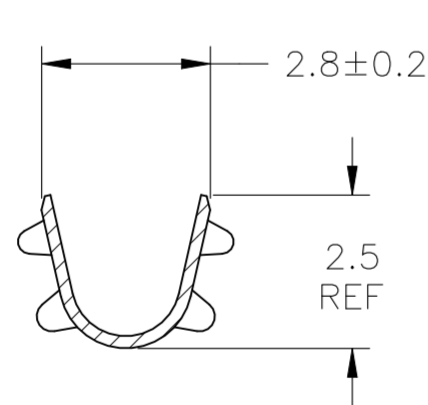


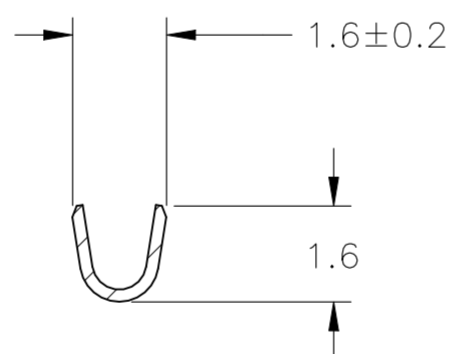
REVISIONS					
P	LTR	DESCRIPTION	DATE	DWN	APVD
B		RELEASED PER ECR-22-148279	24OCT2022	WH	LC



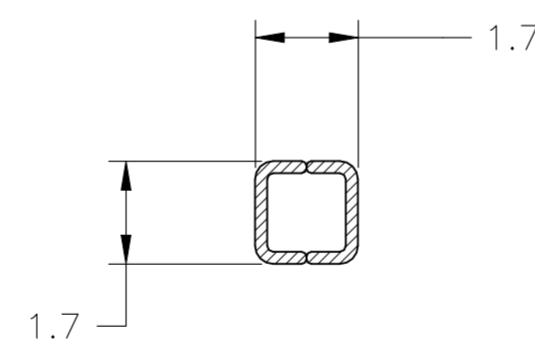
- 1 WIRE RANGE 0.13-0.3mm2 [#26-#22 AWG]
- 2 INSULATION RANGE 1.20-1.75 [.048-.069]
- 3 FINISH: 0.76um MIN GOLD OVER 1.27um MIN NICKEL REQUIRED ON INNER SURFACE, PERMITTED ON OUTER SURFACE.
- 4 FINISH: 2.54um MIN PRE-TIN ON ALL SURFACES IN THIS AREA.
- 5 FINISH: 2.54um MIN PRE-TIN ALL OVER
- 6 PRELIMINARY - NOT FOR PRODUCTION



SECTION A-A



SECTION B-B



SECTION C-C

GOLD 3 4	PHOS BRONZE	6 2238019-4
PRE-TIN 5	PHOS BRONZE	6 2238019-3
GOLD 3 4	BRASS	6 2238019-2
PRE-TIN 5	BRASS	2238019-1
FINISH	MATERIAL	PART NO.

THIS DRAWING IS A CONTROLLED DOCUMENT.		DWN JR RUTH 10MAY2013			
DIMENSIONS: mm		CHK K RANDOLPH 09MAY13			
TOLERANCES UNLESS OTHERWISE SPECIFIED:		APVD K RANDOLPH 09MAY13	NAME		
0 PLC ± -		PRODUCT SPEC 108-2112	SOCKET TERMINAL, VAL-U-LOK		
1 PLC ± 0.25		APPLICATION SPEC 114-13172	SIZE A2	CAGE CODE 00779	DRAWING NO C=2238019
2 PLC ± 0.10		MATERIAL SEE TABLE	SCALE N/A	SHEET 1 OF 1	RESTRICTED TO -
3 PLC ± -		FINISH SEE TABLE	REV B		
4 PLC ± -		WEIGHT -	CUSTOMER DRAWING		
ANGLES ± -					