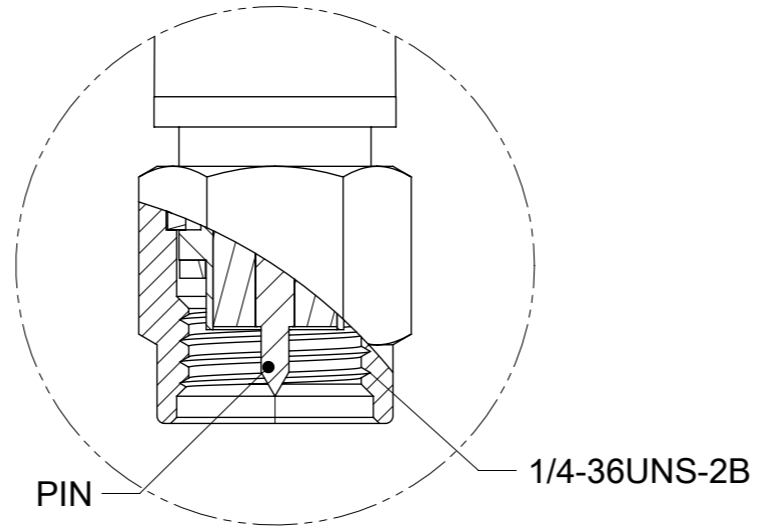
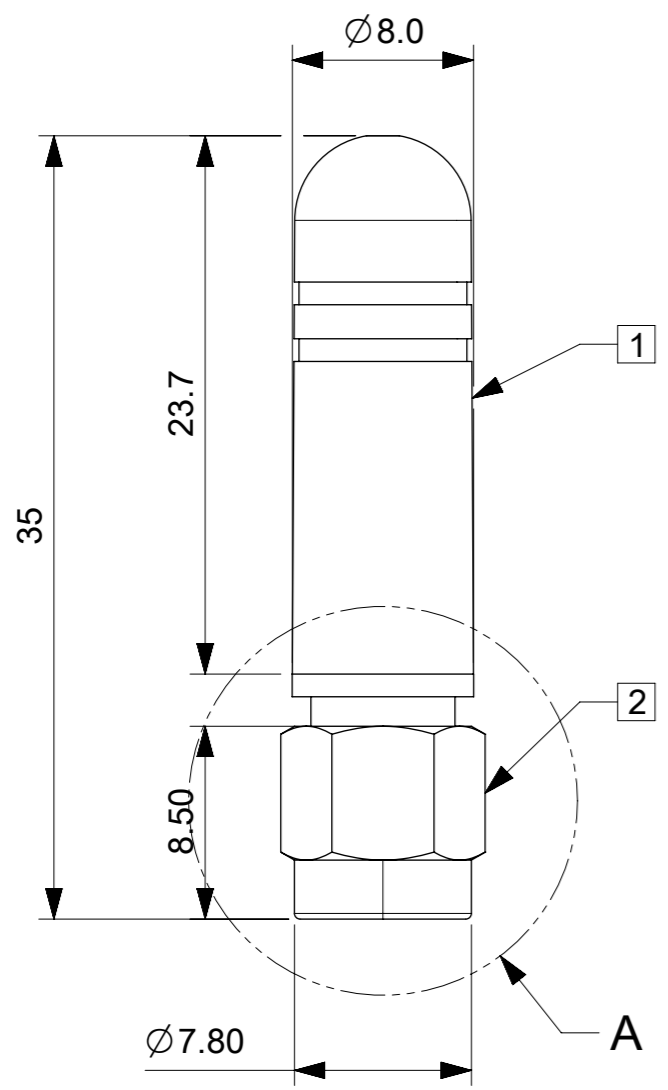
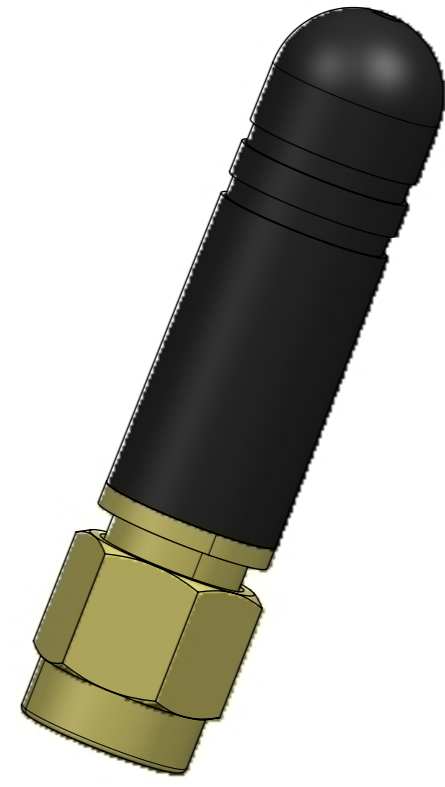


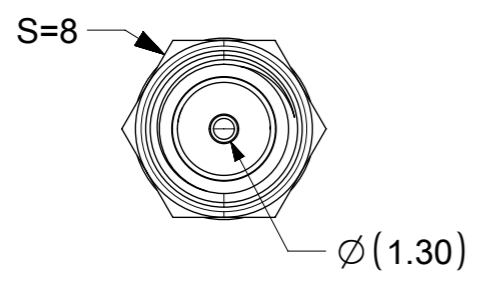
REV	DATE	DESCRIPTION
A	2020/08/10	NEW RELEASE



DETAIL A SCALE 4:1



3D VIEW



- NOTES:
1. FOR STRUCTURAL MATERIALS, PLEASE REFER TO THE MATERIAL FORM.
 2. PACKAGE SPEC. REFER TO PK OF 2158720001.
 3. PRODUCT SPEC. REFER TO PS OF 2158720001.
 4. APPLICATION SPEC. REFER TO AS OF 2158720001.

BOM				
ITEM	NAME	MATERIAL	FINISH	QTY
1	ANTENNA HOUSING	TPEE63D	BLACK	1
2	CONNECTOR	SMA STRAIGHT(MALE)	GOLD PATING	1

FUNCTIONAL SYMBOLS	THIS DRAWING CONTAINS INFORMATION THAT IS PROPRIETARY TO MOLEX ELECTRONIC TECHNOLOGIES, LLC AND SHOULD NOT BE USED WITHOUT WRITTEN PERMISSION	CURRENT REV DESC:		molex																																				
	<table border="1"> <tr> <th>DIMENSION UNITS</th> <th>SCALE</th> </tr> <tr> <td>mm</td> <td>5:1</td> </tr> </table>	DIMENSION UNITS	SCALE				mm	5:1	<table border="1"> <tr> <th colspan="3">GENERAL TOLERANCES (UNLESS SPECIFIED)</th> </tr> <tr> <td>ANGULAR TOL</td> <td>±</td> <td>1.0°</td> </tr> <tr> <td>4 PLACES</td> <td>±</td> <td></td> </tr> <tr> <td>3 PLACES</td> <td>±</td> <td>0.5</td> </tr> <tr> <td>2 PLACES</td> <td>±</td> <td>1.0</td> </tr> <tr> <td>1 PLACE</td> <td>±</td> <td>1.5</td> </tr> <tr> <td>0 PLACES</td> <td>±</td> <td>2.0</td> </tr> </table>		GENERAL TOLERANCES (UNLESS SPECIFIED)			ANGULAR TOL	±	1.0°	4 PLACES	±		3 PLACES	±	0.5	2 PLACES	±	1.0	1 PLACE	±	1.5	0 PLACES	±	2.0	<table border="1"> <tr> <td>EC NO: 644955</td> <td>2020/08/10</td> </tr> <tr> <td>DRWN: KCHENG06</td> <td>2020/09/11</td> </tr> <tr> <td>CHK'D: XJSONG</td> <td>2020/09/11</td> </tr> <tr> <td>APPR: XJSONG</td> <td></td> </tr> </table>		EC NO: 644955	2020/08/10	DRWN: KCHENG06	2020/09/11	CHK'D: XJSONG	2020/09/11	APPR: XJSONG
DIMENSION UNITS	SCALE																																							
mm	5:1																																							
GENERAL TOLERANCES (UNLESS SPECIFIED)																																								
ANGULAR TOL	±	1.0°																																						
4 PLACES	±																																							
3 PLACES	±	0.5																																						
2 PLACES	±	1.0																																						
1 PLACE	±	1.5																																						
0 PLACES	±	2.0																																						
EC NO: 644955	2020/08/10																																							
DRWN: KCHENG06	2020/09/11																																							
CHK'D: XJSONG	2020/09/11																																							
APPR: XJSONG																																								
DIVISIONAL SYMBOLS	<table border="1"> <tr> <th colspan="3">INITIAL REVISION:</th> </tr> <tr> <td>DRWN: KCHENG06</td> <td>2020/08/10</td> <td></td> </tr> <tr> <td>APPR: XJSONG</td> <td>2020/09/11</td> <td></td> </tr> </table>		INITIAL REVISION:			DRWN: KCHENG06	2020/08/10		APPR: XJSONG	2020/09/11		<table border="1"> <tr> <th>DOCUMENT NUMBER</th> <th>DOC TYPE</th> <th>DOC PART</th> <th>REVISION</th> </tr> <tr> <td>2158720001</td> <td>PSD</td> <td>000</td> <td>A</td> </tr> </table>		DOCUMENT NUMBER	DOC TYPE	DOC PART	REVISION	2158720001	PSD	000	A	PRODUCT CUSTOMER DRAWING																		
INITIAL REVISION:																																								
DRWN: KCHENG06	2020/08/10																																							
APPR: XJSONG	2020/09/11																																							
DOCUMENT NUMBER	DOC TYPE	DOC PART	REVISION																																					
2158720001	PSD	000	A																																					
<table border="1"> <tr> <th>DRAFT WHERE APPLICABLE MUST REMAIN WITHIN DIMENSIONS</th> <th>THIRD ANGLE PROJECTION</th> <th>DRAWING</th> <th>SERIES</th> <th>MATERIAL NUMBER</th> <th>CUSTOMER</th> <th>SHEET NUMBER</th> </tr> <tr> <td></td> <td></td> <td>A3-SIZE</td> <td>215872</td> <td>2158720001</td> <td>GENERAL MARKET</td> <td>1 OF 1</td> </tr> </table>		DRAFT WHERE APPLICABLE MUST REMAIN WITHIN DIMENSIONS	THIRD ANGLE PROJECTION	DRAWING	SERIES	MATERIAL NUMBER	CUSTOMER	SHEET NUMBER			A3-SIZE	215872	2158720001	GENERAL MARKET	1 OF 1																									
DRAFT WHERE APPLICABLE MUST REMAIN WITHIN DIMENSIONS	THIRD ANGLE PROJECTION	DRAWING	SERIES	MATERIAL NUMBER	CUSTOMER	SHEET NUMBER																																		
		A3-SIZE	215872	2158720001	GENERAL MARKET	1 OF 1																																		