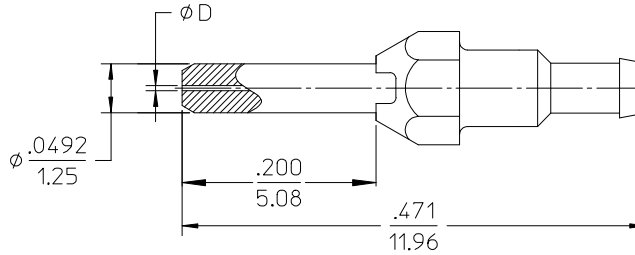
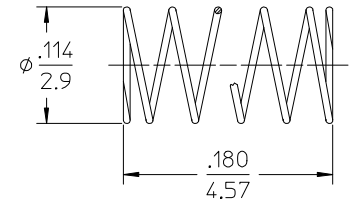


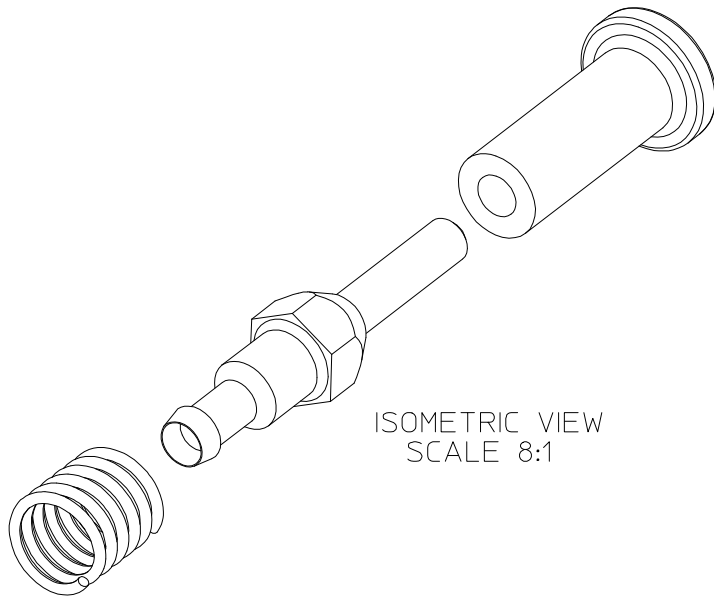
DUST CAP



LC PLUG, METAL BODY  
(ZIRCONIA CERAMIC FERRULE)



COMPRESSION SPRING  
(MUSIC WIRE)



ISOMETRIC VIEW  
SCALE 8:1

KIT P/N	$\phi D$ , mm	KIT TYPE
106073-0022	0.1255	SINGLE MODE
106073-0027	0.126	
106073-0032	0.127	MULTIMODE

NOTES:

1. ALL DIMENSIONS ARE FOR REFERENCE ONLY.
2. ALL PARTS ARE PACKED IN ONE BAG - 1 KIT PER BAG.
3. ALL PLASTIC MATERIALS ARE UL-94 V-0 RATED.

<b>ENTER DESCRIPTION</b> EC NO: MF2015-0148 DRWN: IGUMIN 2014/09/16 CHKD: APPR: IGUMIN 2014/09/17 D2	QUALITY SYMBOLS $\blacktriangledown=0$ $\nabla=0$	GENERAL TOLERANCES (UNLESS SPECIFIED) <table border="1"> <thead> <tr> <th></th> <th>mm</th> <th>INCH</th> </tr> </thead> <tbody> <tr> <td>4 PLACES</td> <td><math>\pm</math>---</td> <td><math>\pm</math>---</td> </tr> <tr> <td>3 PLACES</td> <td><math>\pm</math>---</td> <td><math>\pm</math>---</td> </tr> <tr> <td>2 PLACES</td> <td><math>\pm</math>---</td> <td><math>\pm</math>---</td> </tr> <tr> <td>1 PLACE</td> <td><math>\pm</math>---</td> <td><math>\pm</math>---</td> </tr> <tr> <td>0 PLACE</td> <td><math>\pm</math></td> <td><math>\pm</math></td> </tr> </tbody> </table>		mm	INCH	4 PLACES	$\pm$ ---	$\pm$ ---	3 PLACES	$\pm$ ---	$\pm$ ---	2 PLACES	$\pm$ ---	$\pm$ ---	1 PLACE	$\pm$ ---	$\pm$ ---	0 PLACE	$\pm$	$\pm$	DIMENSION STYLE IN/MM	SCALE 8:1	DESIGN UNITS INCH	THIRD ANGLE PROJECTION
		mm	INCH																					
	4 PLACES	$\pm$ ---	$\pm$ ---																					
	3 PLACES	$\pm$ ---	$\pm$ ---																					
2 PLACES	$\pm$ ---	$\pm$ ---																						
1 PLACE	$\pm$ ---	$\pm$ ---																						
0 PLACE	$\pm$	$\pm$																						
DRAFT WHERE APPLICABLE MUST REMAIN WITHIN DIMENSIONS		DRAWN BY KP	DATE 01/25/2006	TITLE SNAP MATE PLUG AND COMPRESSION SPRING KIT																				
		CHECKED BY	DATE	APPROVED BY DATE 2010/03/18																				
		MATERIAL NO. SEE TABLE	DOCUMENT NO. SD-106073-0022	SHEET NO. 1 OF 1																				