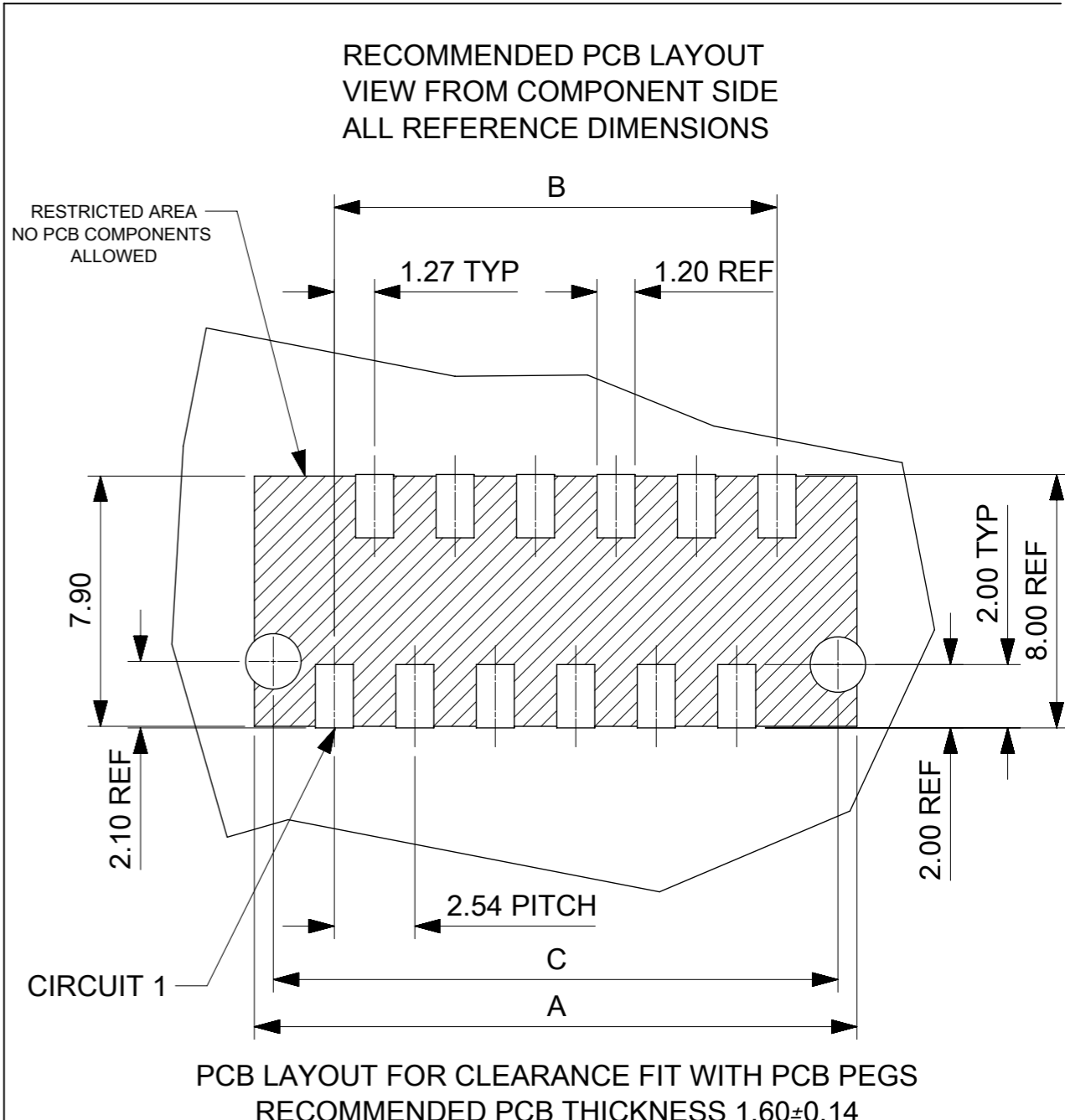


NOTE 4
 DETAIL B
 SCALE 10:1

PART NUMBER	CIRCUIT SIZE	A	B	C	LOCATING PEG
90814-0299	12	19.02	13.97	17.82	YES



PCB LAYOUT FOR CLEARANCE FIT WITH PCB PEGS
 RECOMMENDED PCB THICKNESS 1.60±0.14

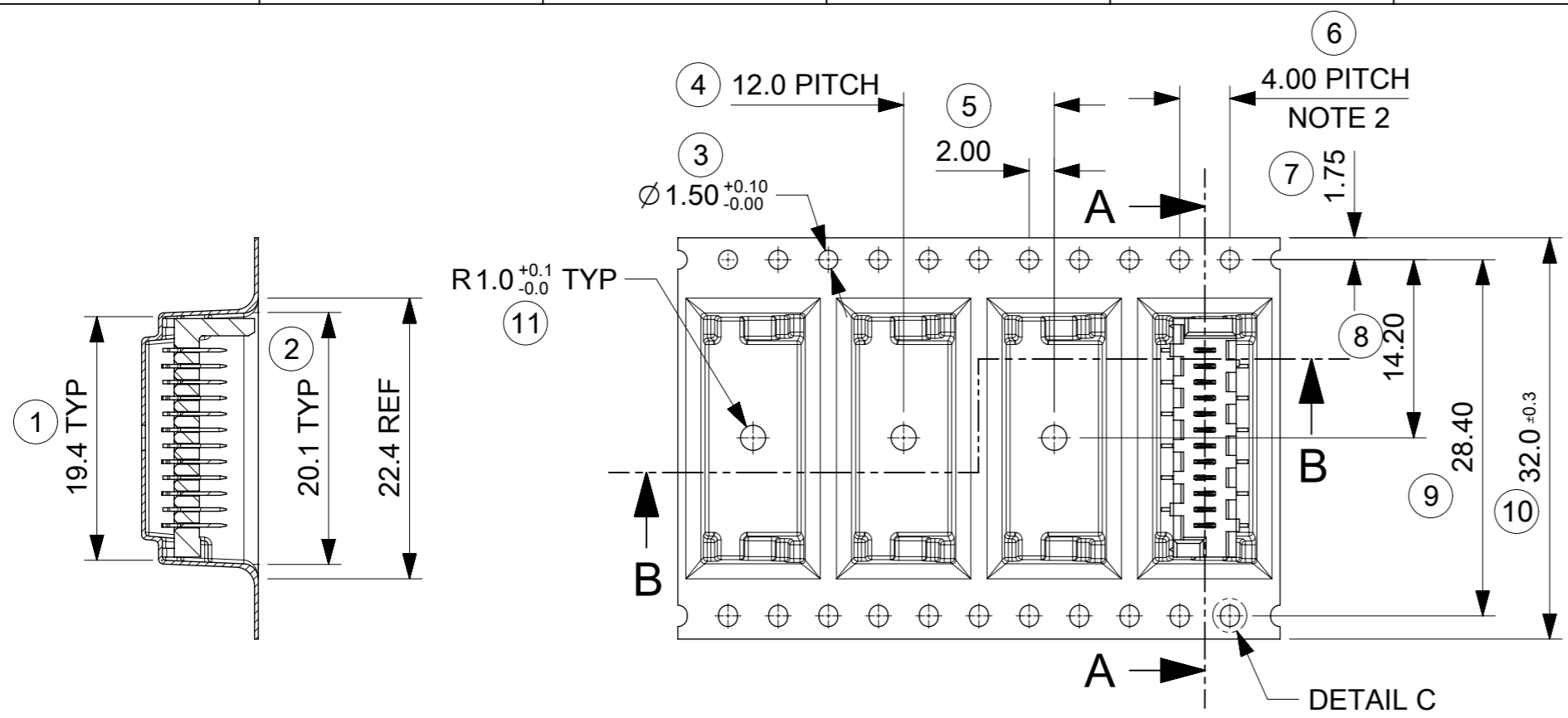
- NOTES:
- 1- MATERIAL: HOUSING: NYLON (PA) GLASS FILLED, UL94 V-0
 COLOUR: NATURAL (BEIGE)
 TERMINAL: CARTRIDGE BRASS 0.28 REF THICK
 - 2- PLATING: TIN(Sn) 3-5 MICROMETRE OVER 1.27 MICROMETRE MIN NICKEL(Ni)
 - 3- MATES WITH MOLEX 90327 PART SERIES
 - 4- ALL SMT TAILS TO LIE WITHIN A COPLANARITY BAND OF 0.0 - 0.10 REF FROM EACH OTHER.
 - 5- PRODUCT SPECIFICATION: PS-99020-0011
 - 6- PACKAGING: 908140299 PSD K
 - 7- STANDARD PROFILE REFLOW: REFER TO PS-99020-0011 APPENDIX B

LAST INSPECTION NUMBER USED: 16

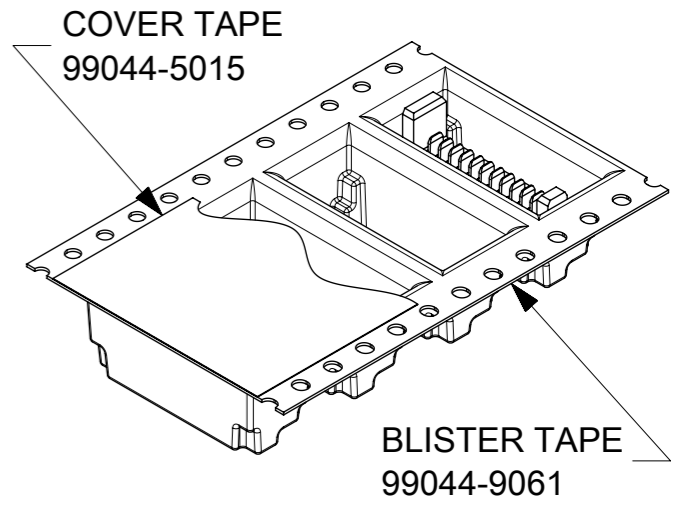
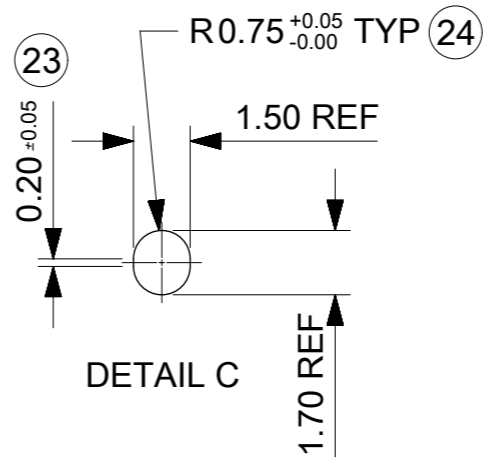
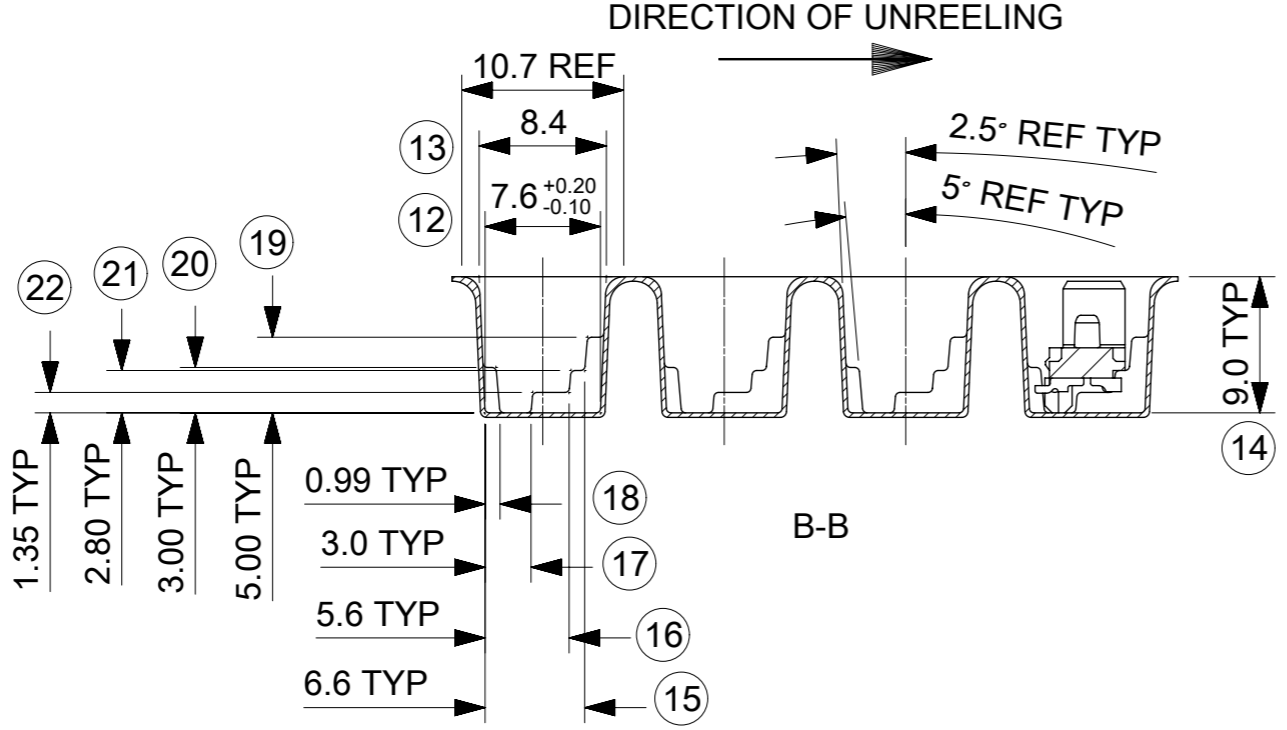
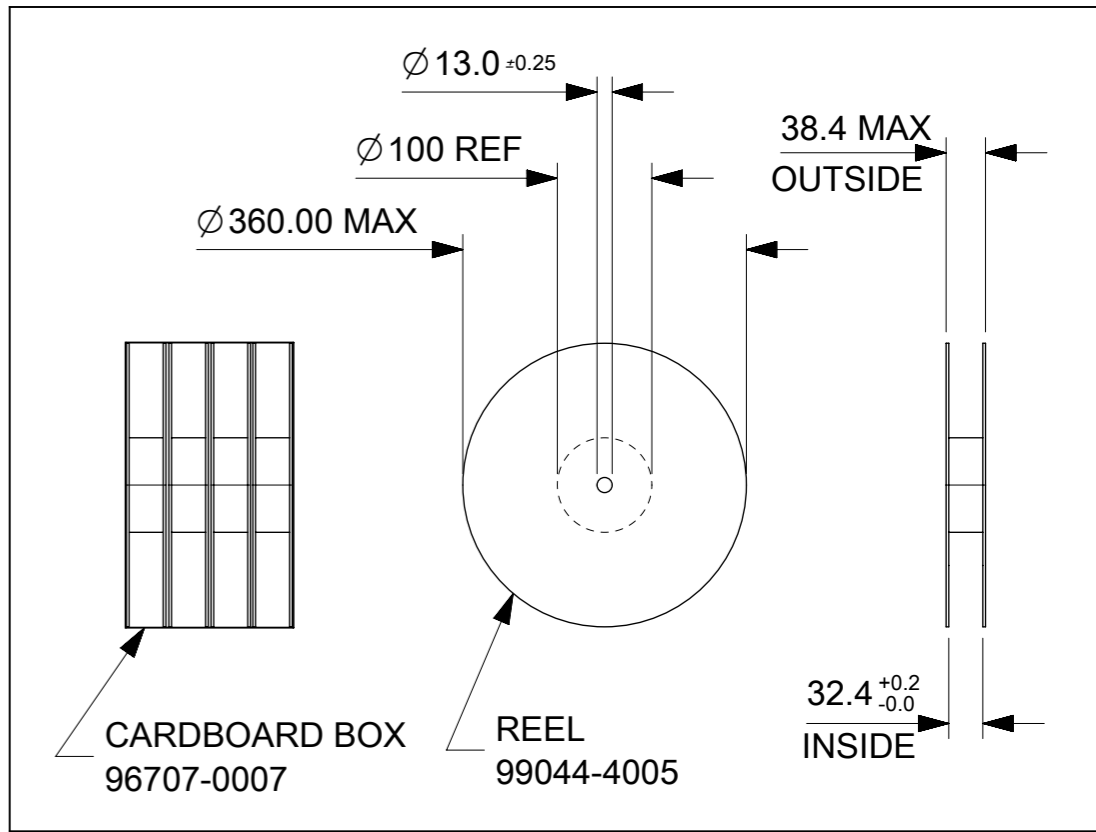
THIS DRAWING CONTAINS INFORMATION THAT IS PROPRIETARY TO MOLEX ELECTRONIC TECHNOLOGIES, LLC AND SHOULD NOT BE USED WITHOUT WRITTEN PERMISSION

ORIGINAL RELEASE 2017/02/01 2017/02/28 2017/03/03	GENERAL TOLERANCES (UNLESS SPECIFIED)		DIMENSION UNITS	SCALE				
	ANGULAR TOL ± 0.5 °		MM	5:1				
	4 PLACES ±	3 PLACES ±	DRWN BY	DATE				
	2 PLACES ± 0.1	1 PLACE ± 0.2	DSHEA	2017/02/01				
0 PLACES ±	DRAFT WHERE APPLICABLE MUST REMAIN WITHIN DIMENSIONS		CHK'D BY	DATE	PICOFLEX SMT HEADER 12CCT W/O CAP W/ PEG			
		DBYRNES	2017/02/28					
EC NO: 113049	DRWN: DSHEA	CHK'D: DBYRNES	APPR: STGRIFFIN	DATE	PRODUCT CUSTOMER DRAWING			
		STGRIFFIN		2017/03/03	SERIES	MATERIAL NUMBER	CUSTOMER	
		DRAWING SIZE		THIRD ANGLE PROJECTION	90814	SEE CHART	GENERAL MARKET	
		A3			DOCUMENT NUMBER	DOC TYPE	DOC PART	SHEET NUMBER
					908140299	PSD	000	1 OF 1

RELEASE STATUS	P1	RELEASE DATE	03.03.2017	17:02:25
----------------	----	--------------	------------	----------



PART NUMBER	CCT SIZE	PIECES PER REEL	REELS PER BOX	PIECES PER BOX
90814-0299	12	600	4	2400



- NOTES:
- MATERIAL
CARRIER TAPE: VOLUME NON-CONDUCTIVE ANTISTATIC COATED POLYSTYRENE, 0.5 REF THICK, CLEAR
COVER TAPE: COLD SEAL POLYESTER, 0.06 REF THICK, TRANSPARENT
 - PITCH TOLERANCE OVER ANY 10 PITCHES ±0.2
 - ALL CAVITY WALLS HAVE DRAFT ANGLE UNLESS STATED OTHERWISE
 - ALL INTERNAL RADII R0.3 MAX
 - PEEL FORCE OF THE COVER TAPE IS 0.1N TO 10.0N AT MAXIMUM
PEEL SPEED OF 300mm/min ±10%
 - REFERENCE TO IEC 60286-3

LAST INSPECTION NUMBER USED: 24

THIS DRAWING CONTAINS INFORMATION THAT IS PROPRIETARY TO MOLEX ELECTRONIC TECHNOLOGIES, LLC AND SHOULD NOT BE USED WITHOUT WRITTEN PERMISSION			
ORIGINAL RELEASE 2017/02/03 EC NO: 113049 DRWN: DSHEA CHK'D: DBYRNES APPR: STGRIFFIN	GENERAL TOLERANCES (UNLESS SPECIFIED)		DIMENSION UNITS
	ANGULAR TOL ± 2.0 °		MM
	4 PLACES ±	SCALE	2:1
	3 PLACES ±	DRWN BY	DATE
2 PLACES ± 0.1	DSHEA	2017/02/03	
1 PLACE ± 0.2	CHK'D BY	DATE	
0 PLACES ±	DBYRNES	2017/02/28	
DRAFT WHERE APPLICABLE MUST REMAIN WITHIN DIMENSIONS		APPR BY	DATE
		STGRIFFIN	2017/03/03
		DRAWING SIZE	THIRD ANGLE PROJECTION
		A3	
		PRODUCT CUSTOMER DRAWING	
		SERIES	MATERIAL NUMBER
		90814	SEE CHART
		CUSTOMER	
		GENERAL MARKET	
		DOCUMENT NUMBER	DOC TYPE
		908140299	PSD
		DOC PART	SHEET NUMBER
		K	1 OF 1



90814 - * * *
CIRCUIT SIZE

	PCB PEGS	TUBE PACKED	TAPE & REEL PACKED	POLARIZING PEG HEIGHT DIMN. E	
0	YES	YES	NO	6.40	STANDARD
2	YES	NO	YES	6.40	PROFILE
3	NO	YES	NO	6.40	REFLOW
5	NO	NO	YES	6.40	NOTE 9
6	NO	YES	NO	4.10	LOW
7	NO	NO	YES	4.10	PROFILE
8	YES	YES	NO	4.10	REFLOW
9	YES	NO	YES	4.10	NOTE 9

0= 3-5 MICROMETRE TIN VERSION
3= 0.76µm GOLD PLATING

90814-**-26	26	36.80	31.75	35.60	14	YES
90814-**-24	24	34.26	29.21	33.06	15	YES
90814-**-22	22	31.72	26.67	30.52	16	YES
90814-**-20	20	29.18	24.13	27.98	18	YES
90814-**-18	18	26.64	21.59	25.44	20	YES
90814-**-16	16	24.10	19.05	22.90	22	YES
90814-**-14	14	21.56	16.51	20.36	25	YES
90814-**-12	12	19.02	13.97	17.82	28	YES
90814-**-10	10	16.48	11.43	15.28	32	YES
90814-**-08	8	13.94	8.89	12.74	38	YES
90814-**-06	6	11.40	6.35	10.20	46	YES
90814-**-04	4	8.86	3.81	7.66	60	YES
PART NO.	NUMBER OF CKTS	DIMN. A	DIMN. B	DIMN. C	QUANTITY OF PARTS PER TUBE (-*0**/-*3**/-*6** & -*8** VERSIONS)	TOOLED

- NOTES:
- 1) MATERIAL: HOUSING: NYLON (PA) GLASS FILLED. UL94 V-0, NATURAL (BEIGE)
TERMINAL - CARTRIDGE BRASS 0.28 REF THICK
 - 2) PLATING:
TIN: TIN (Sn) 3-5 MICROMETRE OVER 1.27 MICROMETRE MIN NICKEL(Ni).
GOLD : UNDERPLATED 1.27µm MIN NICKEL
3-5µm TIN SELECTIVE
0.76µm MIN. SELECTIVE GOLD
 - 3) MATES WITH MOLEX 90327 PART SERIES.
 - 4) ALL SMT TAILS TO LIE WITHIN A COPLANARITY BAND OF 0.0 - 0.10 REF. FROM EACH OTHER.
 - 5) FOR TAPE AND REEL PACKAGING SEE 908149001 PSD AND 908149002 PSD.
FOR TUBE PACKAGING SEE PK-90814-001
 - 6) PCB PEGS ARE OPTIONAL.
 - 7) PCB LAYOUT SHOWN ON SHEET 2.
 - 8) PRODUCT SPECIFICATION: PS-99020-0011
 - 9) FOR RECOMMENDED REFLOW PROFILES, REFER TO PS-99020-0011 APPENDIX B

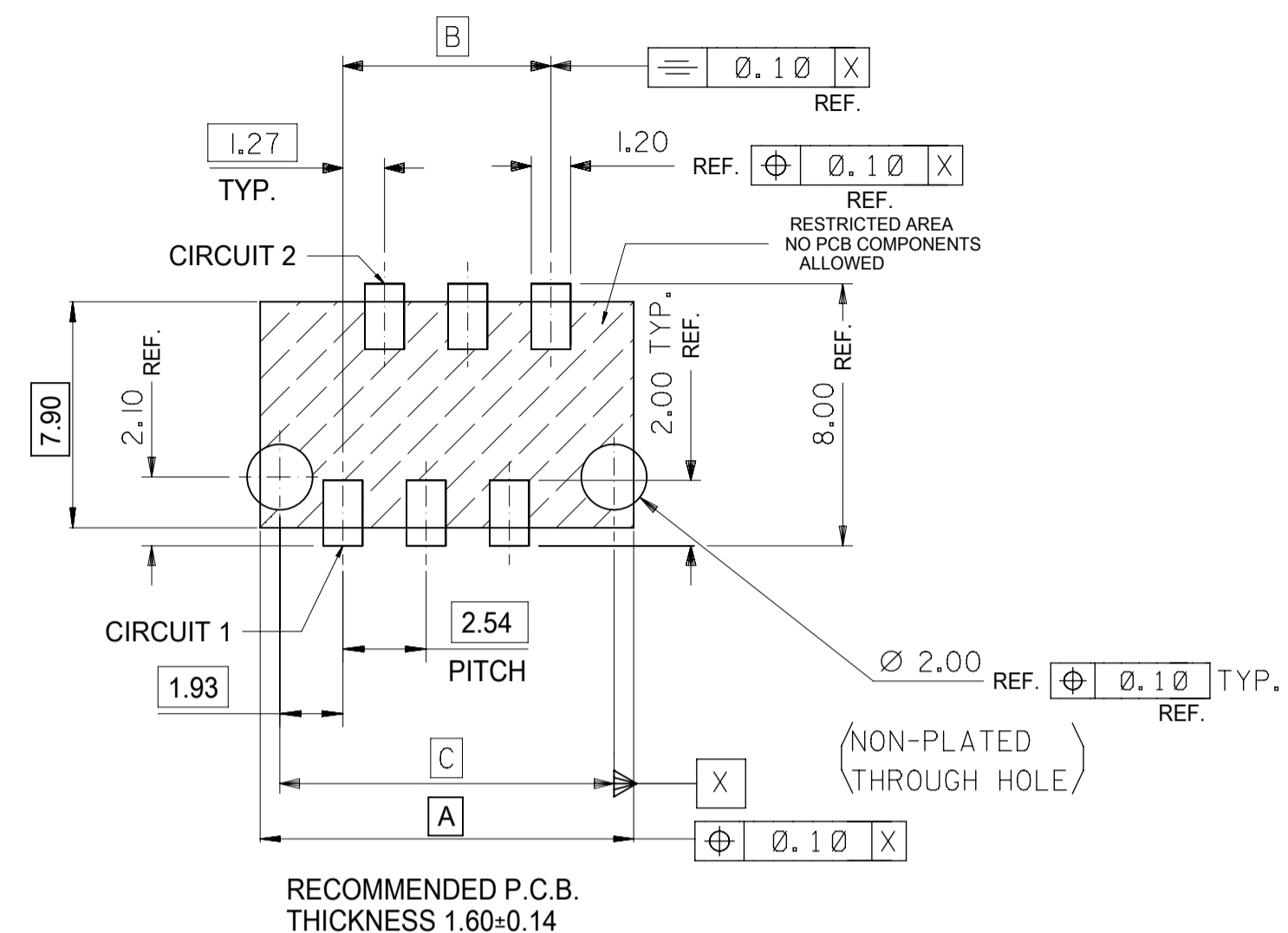
INSPECTION NUMBERS USED ON SHEET 1: 1-50
LAST INSPECTION NUMBER: 16

THIS DRAWING CONTAINS INFORMATION THAT IS PROPRIETARY TO MOLEX ELECTRONIC TECHNOLOGIES, LLC AND SHOULD NOT BE USED WITHOUT WRITTEN PERMISSION

DIMENSION UNITS	SCALE	CURRENT REV DESC:		molex			
mm	5:1						
GENERAL TOLERANCES (UNLESS SPECIFIED)		EC NO: 738955		PICOFLEX SMT HEADER			
ANGULAR TOL ± 0.5°		DRWN: GOWTHP 2023/02/02					
4 PLACES ±		CHK'D: GOWTHP 2023/02/16		PRODUCT CUSTOMER DRAWING			
3 PLACES ±		APPR: ISHWARG 2023/02/20					
2 PLACES ± 0.1		INITIAL REVISION:		DOCUMENT NUMBER			
1 PLACE ±		DRWN: DMCNAMAR 2001/08/16					
0 PLACES ±		APPR: EFOLEN 2010/11/04		SDA-90814			
DRAFT WHERE APPLICABLE MUST REMAIN WITHIN DIMENSIONS		THIRD ANGLE PROJECTION					
		A2-SIZE		90814		MATERIAL NUMBER	
		SEE CHART		CUSTOMER		SHEET NUMBER	
		GENERAL MARKET		1 OF 2			



PCB LAYOUT FOR TRANSITION FIT WITH PCB PEGS
 HEADER VERSIONS 90814-xx0xx/-x2xx/-x8xx/-x9xx,
 VIEWED FROM COMPONENT SIDE



PCB LAYOUT FOR CLEARANCE FIT WITH PCB PEGS
 HEADER VERSIONS 90814-xx0xx/-x2xx/-x8xx/-x9xx,
 VIEWED FROM COMPONENT SIDE



PCB LAYOUT FOR HEADERS WITHOUT PCB PEGS
 HEADER VERSIONS 90814-xx3xx/-x5xx/-x6xx/-x7xx,
 VIEWED FROM COMPONENT SIDE

90814-xx26	26	36.80	31.75	35.60
90814-xx24	24	34.26	29.21	33.06
90814-xx22	22	31.72	26.67	30.52
90814-xx20	20	29.18	24.13	27.98
90814-xx18	18	26.64	21.59	25.44
90814-xx16	16	24.10	19.05	22.90
90814-xx14	14	21.56	16.51	20.36
90814-xx12	12	19.02	13.97	17.82
90814-xx10	10	16.48	11.43	15.28
90814-xx08	8	13.94	8.89	12.74
90814-xx06	6	11.40	6.35	10.20
90814-xx04	4	8.86	3.81	7.66
PART NO.	NUMBER OF CKTS	DIMN. A	DIMN. B	DIMN. C

THIS DRAWING CONTAINS INFORMATION THAT IS PROPRIETARY TO MOLEX ELECTRONIC TECHNOLOGIES, LLC AND SHOULD NOT BE USED WITHOUT WRITTEN PERMISSION

DIMENSION UNITS	SCALE	CURRENT REV DESC:				
mm	5:1					
GENERAL TOLERANCES (UNLESS SPECIFIED)		EC NO: 738955		PICOFLEX SMT HEADER PRODUCT CUSTOMER DRAWING		
ANGULAR TOL ± 0.5°		DRWN: GOWTHP 2023/02/02				
4 PLACES ±		CHK'D: GOWTHP 2023/02/16		DOCUMENT NUMBER: SDA-90814 DOC TYPE: PSD DOC PART: 001 REVISION: AE1		
3 PLACES ±		APPR: ISHWARG 2023/02/20				
2 PLACES ± 0.1		INITIAL REVISION:		MATERIAL NUMBER: SEE CHART CUSTOMER: GENERAL MARKET SHEET NUMBER: 2 OF 2		
1 PLACE ±		DRWN: DMCNAMAR 2001/08/16				
0 PLACES ±		APPR: EFOLEN 2010/11/04		DRAFT WHERE APPLICABLE MUST REMAIN WITHIN DIMENSIONS		
THIRD ANGLE PROJECTION		DRAWING: A2-SIZE				
SERIES: 90814		SERIES: 90814				