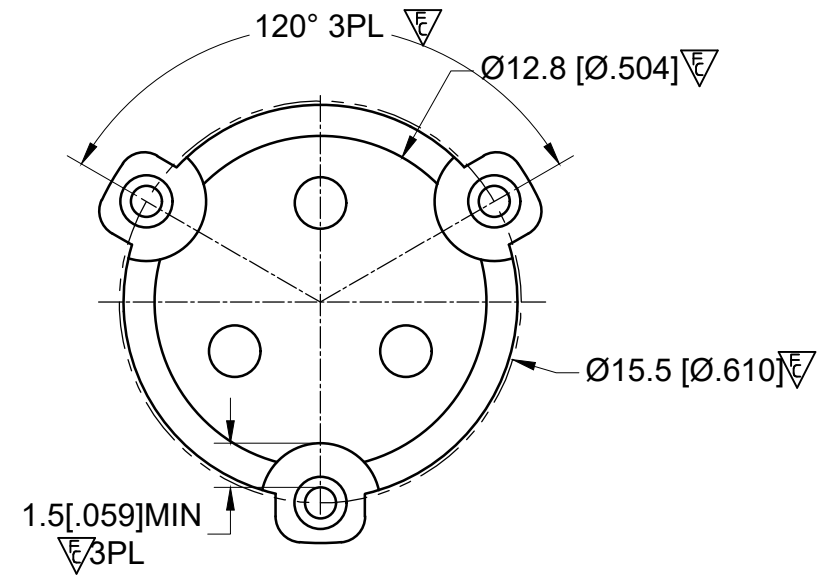
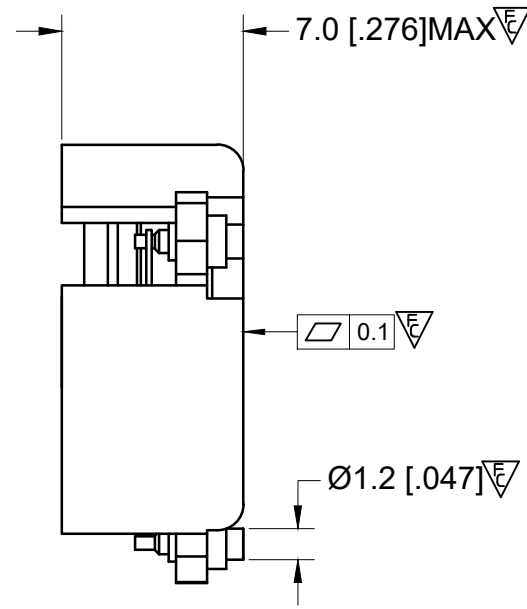
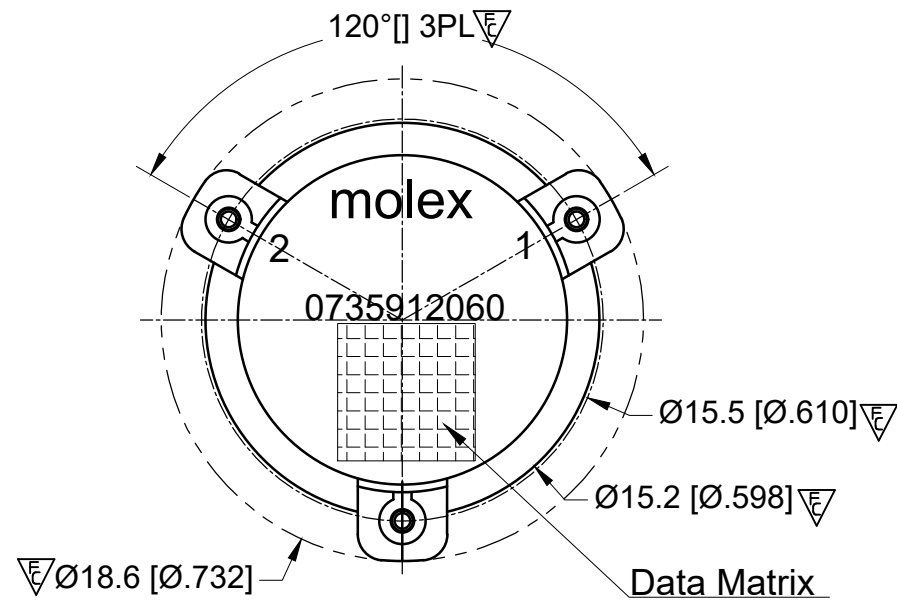
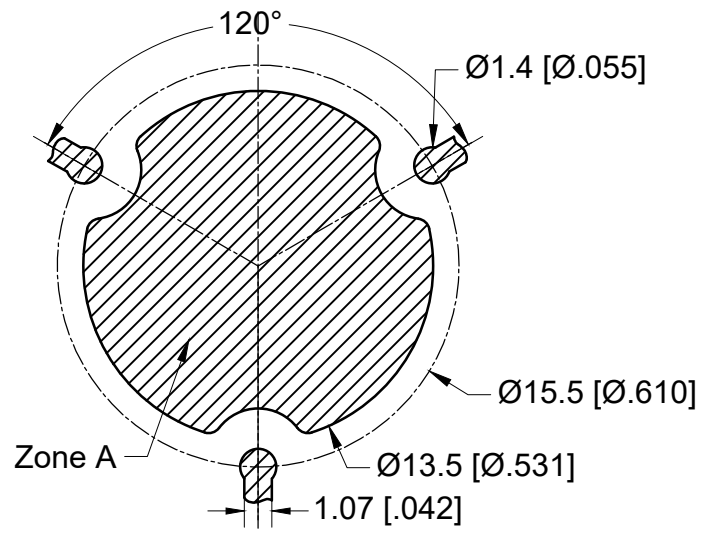
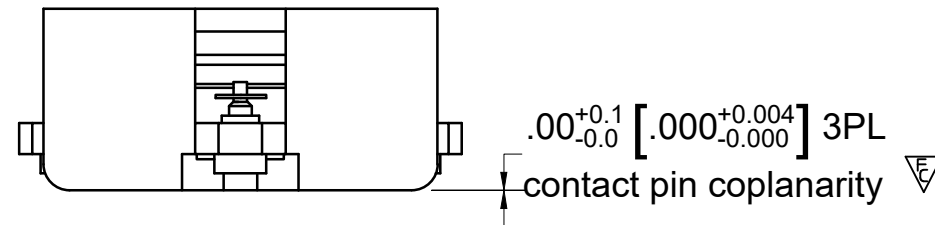


**RECOMMENDED LAND PATTERN :**

Zone A must be attached to heat sink. Thermal conductivity of intermediate layers between Zone A and heat sink must be better than 0.1 W / [°C x mm].



PCB Material :Rogers RO4350B,0.508mm thickness  
trace width 1.07mm wide.



**ELECTRICAL SPECIFICATIONS :**

- Frequency Range : 2496~2690MHz
- Isolation : 22 dB min
- Return Loss : 22 dB min
- Insertion Loss : 0.25 dB max
- Attenuation (2 x TX) : 20 dB min
- (3 x TX) : 7 dB min
- (N x TX) : 5 dB min
- Average FE/REV Power : 100 W(CW) max
- Peak Power : 1000 W max
- IM3(30W x 2 tones 5M) : -69 dBc max
- Harmonics (2 x TX @ 60W CW) : 60 dBc min
- (3 x TX @ 60W CW) : 60 dBc min
- Operating temperature range : -40 to +105°C
- Storage temperature range : -40 to +125°C
- Direction : CCW

**MATERIAL :**

BODY : STEEL, SILVER PLATED  
PIN : COPPER , SILVER PLATED

**NOTES :**

- 1.STANDARD INPUT/OUTPUT IMPEDANCE 50 Ohm
- 2.LEAD FREE, NO Nd MATERIAL, BeO FREE
- 3.THE DIMENSION OF DATA MATRIX IS 5.3X5.3MM INFORMATION INCLUDING WORK ORDER NUMBER-SERIAL NUMBER-MATERIAL NUMBER
- 4.THIS PART COMPLIES WITH ALL RoHS REQUIREMENTS

**ENG PART#: 812-249-269-WP040**

FUNCTIONAL SYMBOLS	THIS DRAWING CONTAINS INFORMATION THAT IS PROPRIETARY TO MOLEX ELECTRONIC TECHNOLOGIES, LLC AND SHOULD NOT BE USED WITHOUT WRITTEN PERMISSION		
	DIMENSION UNITS	SCALE	CURRENT REV DESC:
$\nabla_A=0$	MM	1:1	RELEASE TO PROD
$\nabla_E=0$	GENERAL TOLERANCES (UNLESS SPECIFIED)		
$\nabla_P=0$		mm	INCH
DIVISIONAL SYMBOLS	4 PLACES	$\pm 0.025$	$\pm$ ----
	3 PLACES	$\pm 0.05$	$\pm$ ----
	2 PLACES	$\pm 0.13$	$\pm$ ----
	1 PLACE	$\pm 0.25$	$\pm$ ----
	0 PLACES	$\pm 0.4$	$\pm$ ----
	ANGULAR TOL	$\pm 1.5^\circ$	
	DRAFT WHERE APPLICABLE MUST REMAIN WITHIN DIMENSIONS		
	THIRD ANGLE PROJECTION	DRAWING	SERIES
		A3-SIZE	73591
	MATERIAL NUMBER	CUSTOMER	SHEET NUMBER
	0735912060	CUSTOM PART	1 OF 1

**molex**

SMSJ CIRCULATOR/2496~2690MHZ/CCW

RESTRICTED PRODUCT CUSTOMER DRAWING

DOCUMENT NUMBER: 735912060, DOC TYPE: PSD, DOC PART: 000, REVISION: A