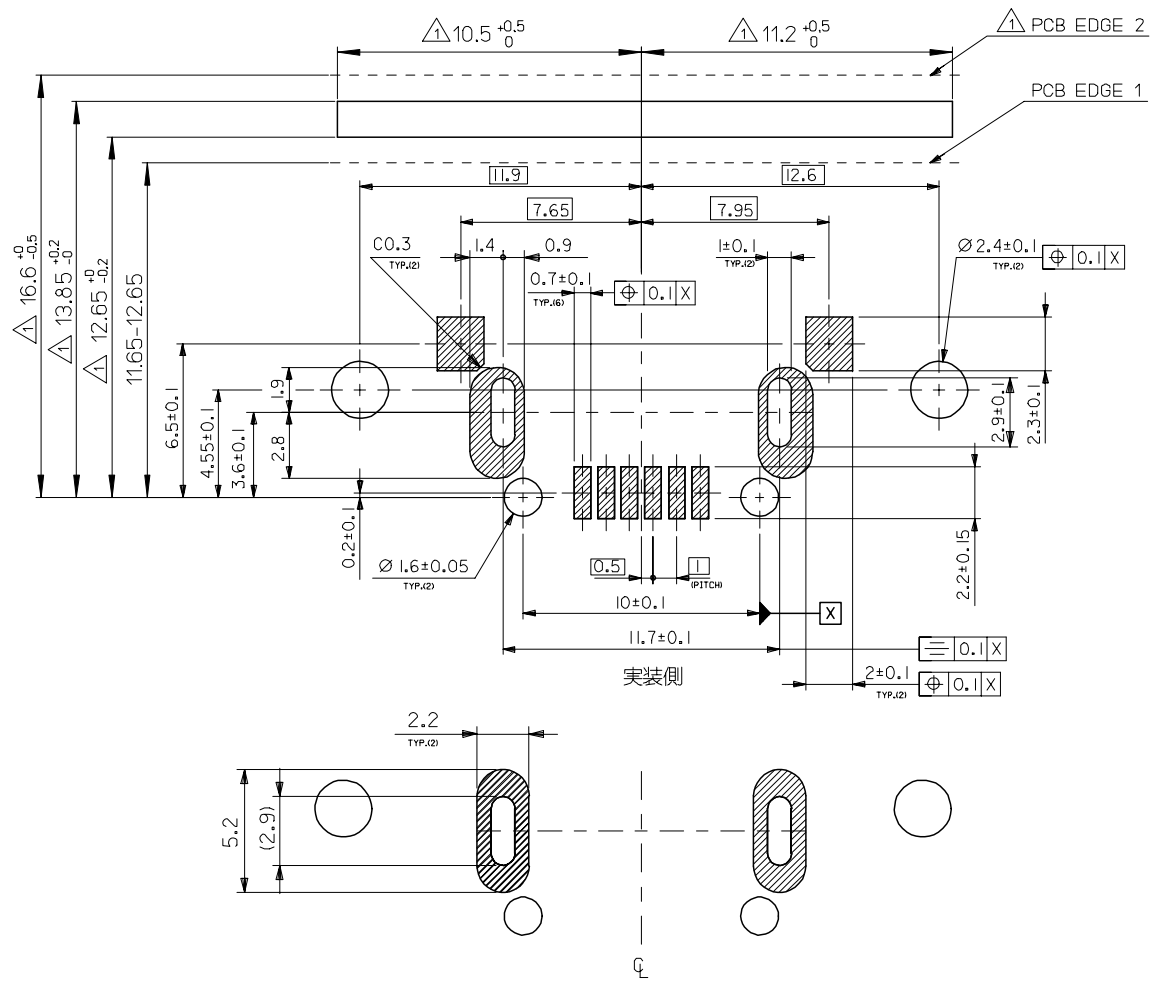
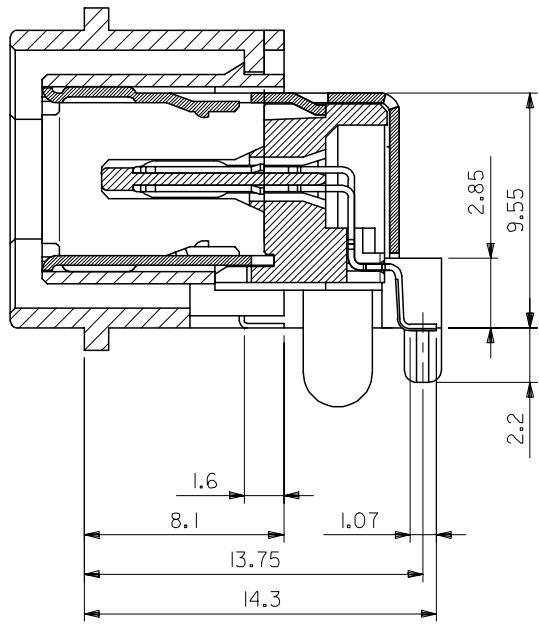


NOTE
 1. MATERIAL
 TERMINAL : BRASS (CONTACT : GOLD UNDER NICKEL)
 (SOLDER TAIL : TIN UNDER NICKEL)
 WAFER : 46NYLON
 SHELL : PHOSPHOR BRONZE (TIN UNDER NICKEL)
 MOLD CASE : 46NYLON
 BRACKET : ZINC
 NUT : STEEL
 2. THIS PRODUCT IS LEAD FREE OF 55395-0611.

REVISED EC NO: J2006-0295 DRW: NESUZUKI 2005/07/26 CHK: KATOJO 2005/07/28 APPR: NUKITA 2005/08/02 DESCRIPTION A		GENERAL TOLERANCES (UNLESS SPECIFIED)		DIMENSION STYLE MM ONLY		MODEL NO. 55395-**19 MATERIAL NO. 55395-0619				
		10 UNDER ±0.2	10 OVER 30 UNDER ±0.25	30 OVER ±0.3	ANGULAR ±3 °	DRAFT WHERE APPLICABLE MUST REMAIN WITHIN DIMENSIONS	DRAWN BY HKAWABATA DATE 04/05/24	CHECKED BY KTOJO DATE 04/05/24	TITLE IEEE 1394 SOCKET WITH LOCK SOCKET ASSEMBLY -LEAD FREE-	
		SCALE --- DESIGN UNITS METRIC			THIRD ANGLE PROJECTION		APPROVED BY MSASAO DATE 04/05/24		MATERIAL NO. MOLEX INCORPORATED	
		SEE CHART			DOCUMENT NO. SD-55395-004		SHEET NO. 1 OF 2			
SIZE A3 THIS DRAWING CONTAINS INFORMATION THAT IS PROPRIETARY TO MOLEX INCORPORATED AND SHOULD NOT BE USED WITHOUT WRITTEN PERMISSION										

注記
 △ PCB EDGE2 を使用する場合、
 フランジ逃げ穴を開けること。



MODEL NO. | 55395-***19

REVISED EC NO: J2006-0295 DRW: ESUZUKI CHK: KATOJO APPR: NUKITA 2005/07/26 2005/07/28 2005/08/02	DESCRIPTION A	GENERAL TOLERANCES (UNLESS SPECIFIED)		DIMENSION STYLE MM ONLY		SCALE ---	DESIGN UNITS METRIC	THIRD ANGLE PROJECTION			
		10 UNDER	±0.2	DRAWN BY HKAWABATA	DATE 04/05/24	TITLE IEEE 1394 SOCKET WITH LOCK SOCKET ASSEMBLY -LEAD FREE-					
		10 OVER 30 UNDER	±0.25	CHECKED BY KTOJO	DATE 04/05/24	MOLEX INCORPORATED					
		30 OVER	±0.3	APPROVED BY MSASAO	DATE 04/05/24	MATERIAL NO. SEE CHART		DOCUMENT NO. SD-55395-004	SHEET NO. 2 OF 2		
		ANGULAR	±3°	DRAFT WHERE APPLICABLE MUST REMAIN WITHIN DIMENSIONS							