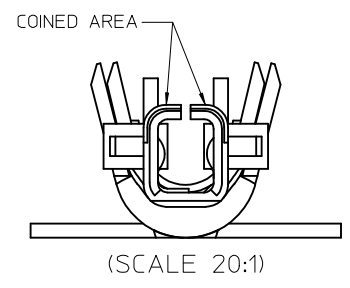
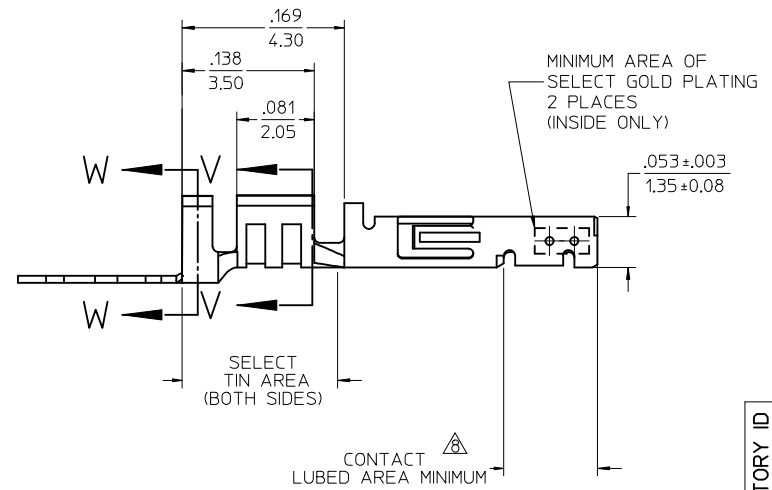
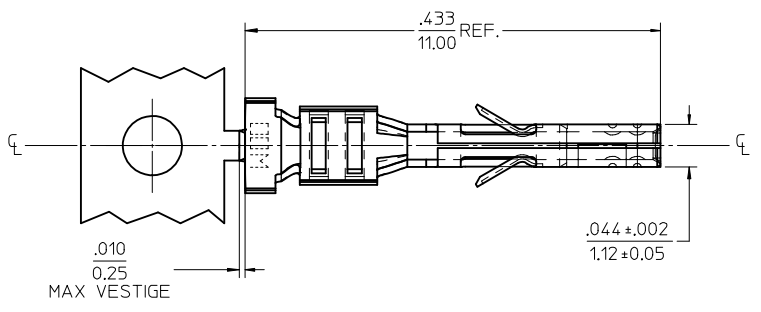
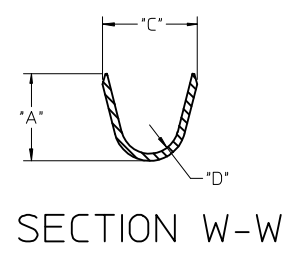
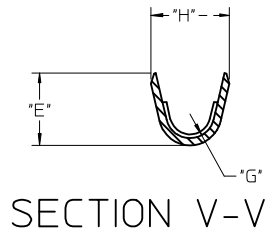


13	12	11	10	9	8	7	6	5	4	3	2	1
WIRE SIZE	MAX INSULATION	"A" ±.012 ±0.30	"C" ±.012 ±0.30	"D" ±.005 ±0.13	"E" ±.012 ±0.30	"G" ±.005 ±0.13	"H" ±.012 ±0.30					
20-24	.073/1.85	.090/2.29	.100/2.54	.030/0.76	.075/1.91	.025/0.64	.082/2.08					
26-30	.050/1.27	.075/1.91	.083/2.10	.025/0.64	.058/1.47	.020/0.51	0.65/1.65					

MATERIAL NUMBER	PLATING	WIRE SIZE	FORM
45773-0053	A	20-24	CHAIN



NOTES

- 1) MATERIAL: PHOSPHOR BRONZE ALLOY
- 2) TERMINAL PLATING:  
 "A" - .000030/0.00076 MIN. SELECT GOLD  
 .000100/0.00254 MIN. SELECT TIN  
 ALL OVER .000050/0.00127 MIN. NICKEL OVERALL.  
 MATERIAL NUMBERS WITH SELECT PLATING ARE POST-PLATED.
- 3) PRODUCT SPECIFICATION: PS-43045, PS-43650, PS-44300-001.
- 4) PACKAGING SPECIFICATION: PK-45773-002
- 5) TERMINAL FOR USE IN MICRO FIT RECEPTACLE SERIES DESIGNED FOR USING THE 43030-\*\*\*\* FEMALE CRIMP TERMINAL.
- 6) FOR TERMINAL ORIENTATION IN RECEPTACLE SEE DRAWING SDA-43025-\*\*\*\* OR SDA-43645-\*\*\*\*.
- 7) THIS TERMINAL IS DESIGNED IN METRIC.
- 8) MOLEX PROPRIETARY CONTACT LUBRICATION EB-1 IS APPLIED IN THE CONTACT AREA BY THE FACTORY.
- 9) MOLEX RECOMMENDS THE USE OF MICRO-FIT TEST PLUG (SERIES 44242) WHENEVER CONTINUITY TESTING IS PERFORMED. TEST PLUGS MUST NOT BE USED TO MAKE OR BREAK UNDER LOAD. MOLEX DOES NOT RECOMMEND USING STANDARD MATING COMPONENTS (SERIES 43020, 43045, 43640, 43650, OR 43031) FOR HARNESS TESTING PURPOSES.
- 10) TEXT ON PART IS FOR REFERENCE ONLY. TEXT AND TEXT LOCATION MAY VARY DEPENDING ON PART NUMBER AND/OR TOOL.

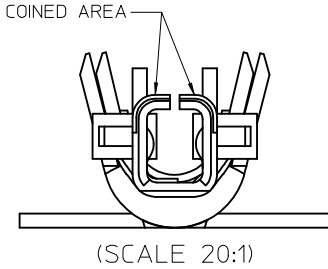
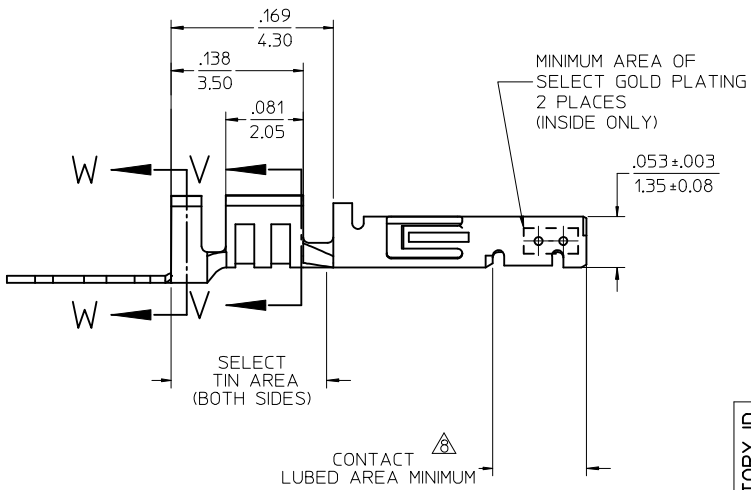
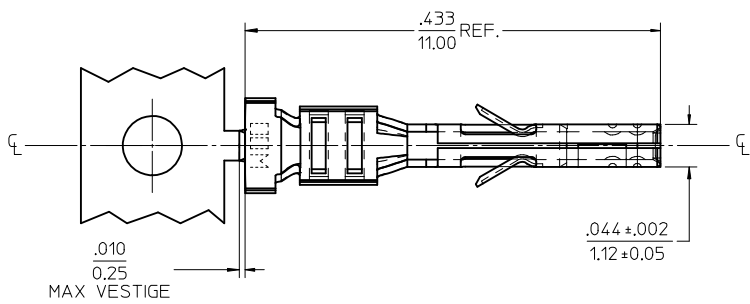
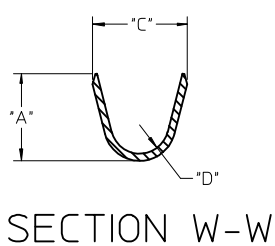
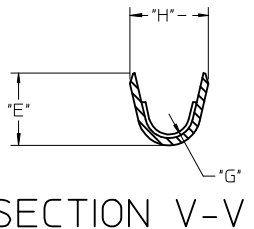
UPDATE FACTORY ID IEC NO: UCP2017-2563 DRWN:ZHARPER 2017/05/31 CHKD: APPR:FSMITH 2017/09/29	QUALITY SYMBOLS	GENERAL TOLERANCES (UNLESS SPECIFIED)	DIMENSION STYLE IN/MM	SCALE 10:1	DESIGN UNITS METRIC	THIRD ANGLE PROJECTION
	▽=0	mm INCH	DRAWN BY DATE PRIDDER 2006/02/20	TITLE MICRO-FIT (3.0) FEMALE CRIMP TERMINAL W/ LUBRICANT, LEAD FREE		
	▽=0	4 PLACES ± --- ± --- 3 PLACES ± --- ± .010 2 PLACES ± 0.25 ± .014 1 PLACE ± 0.35 ± --- 0 PLACE ± ±	CHECKED BY DATE SSOUSEK 2006/02/21			
	▽=0	ANGULAR ±1/2°	APPROVED BY DATE FSMITH 2006/02/21	DOCUMENT NO. SD-45773-002	SHEET NO. 1 OF 1	

DRAFT WHERE APPLICABLE MUST REMAIN WITHIN DIMENSIONS

SEE CHART

THIS DRAWING CONTAINS INFORMATION THAT IS PROPRIETARY TO MOLEX. INCORPORATED AND SHOULD NOT BE USED WITHOUT WRITTEN PERMISSION

	13	12	11	10	9	8	7	6	5	4	3	2	1	
J	WIRE SIZE	MAX INSULATION	"A" ±.012 ±0.30	"C" ±.012 ±0.30	"D" ±.005 ±0.13	"E" ±.012 ±0.30	"G" ±.005 ±0.13	"H" ±.012 ±0.30			MATERIAL NUMBER	PLATING	WIRE SIZE	FORM
	20-24	.073/1.85	.090/2.29	.100/2.54	.030/0.76	.075/1.91	.025/0.64	.082/2.08			45773-0053	A	20-24	CHAIN
	26-30	.050/1.27	.075/1.91	.083/2.10	.025/0.64	.058/1.47	.020/0.51	0.65/1.65						



- NOTES
- 1) MATERIAL: PHOSPHOR BRONZE ALLOY
  - 2) TERMINAL PLATING:  
 "A" - .000030/0.00076 MIN. SELECT GOLD  
 .000100/0.00254 MIN. SELECT TIN  
 ALL OVER .000050/0.00127 MIN. NICKEL OVERALL.  
 MATERIAL NUMBERS WITH SELECT PLATING ARE POST-PLATED.
  - 3) PRODUCT SPECIFICATION: PS-43045, PS-43650, PS-44300-001.
  - 4) PACKAGING SPECIFICATION: PK-45773-002
  - 5) TERMINAL FOR USE IN MICRO FIT RECEPTACLE SERIES DESIGNED FOR USING THE 43030-\*\*\*\* FEMALE CRIMP TERMINAL.
  - 6) FOR TERMINAL ORIENTATION IN RECEPTACLE SEE DRAWING SDA-43025-\*\*\*\* OR SDA-43645-\*\*\*\*.
  - 7) THIS TERMINAL IS DESIGNED IN METRIC.
  - 8) MOLEX PROPRIETARY CONTACT LUBRICATION EB-1 IS APPLIED IN THE CONTACT AREA BY THE FACTORY.
  - 9) MOLEX RECOMMENDS THE USE OF MICRO-FIT TEST PLUG (SERIES 44242) WHENEVER CONTINUITY TESTING IS PERFORMED. TEST PLUGS MUST NOT BE USED TO MAKE OR BREAK UNDER LOAD. MOLEX DOES NOT RECOMMEND USING STANDARD MATING COMPONENTS (SERIES 43020, 43045, 43640, 43650, OR 43031) FOR HARNESS TESTING PURPOSES.
  - 10) TEXT ON PART IS FOR REFERENCE ONLY. TEXT AND TEXT LOCATION MAY VARY DEPENDING ON PART NUMBER AND/OR TOOL.

UPDATE FACTORY ID IEC NO: UCP2017-2563 DRW:ZRHARPER 2017/05/31 CHKD: APPR:FSMITH 2017/09/29 REV: B2	QUALITY SYMBOLS	GENERAL TOLERANCES (UNLESS SPECIFIED)	DIMENSION STYLE	SCALE	DESIGN UNITS	THIRD ANGLE PROJECTION
	▽=0	mm INCH	IN/MM	10:1	METRIC	☉
	▽=0	4 PLACES ± --- ± ---	DRAWN BY DATE	TITLE		
	▽=0	3 PLACES ± --- ± .010	PRIDDER 2006/02/20	MICRO-FIT (3.0) FEMALE CRIMP TERMINAL W/ LUBRICANT, LEAD FREE		
		2 PLACES ± 0.25 ± .014	CHECKED BY DATE	<b>molex</b> DOCUMENT NO. SD-45773-002 SHEET NO. 1 OF 1		
		1 PLACE ± 0.35 ± ---	SSOUSEK 2006/02/21			
		0 PLACE ± ±	APPROVED BY DATE			
			FSMITH 2006/02/21			
		ANGULAR ±1/2°	MATERIAL NO.			
		DRAFT WHERE APPLICABLE MUST REMAIN WITHIN DIMENSIONS	SEE CHART			
			SIZE C	THIS DRAWING CONTAINS INFORMATION THAT IS PROPRIETARY TO MOLEX. INCORPORATED AND SHOULD NOT BE USED WITHOUT WRITTEN PERMISSION		