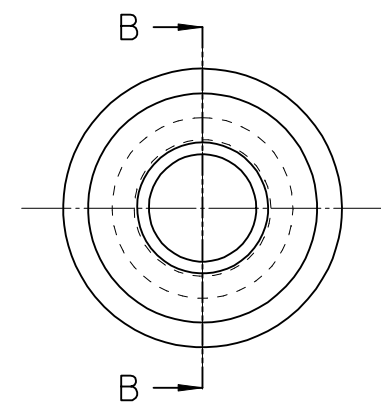
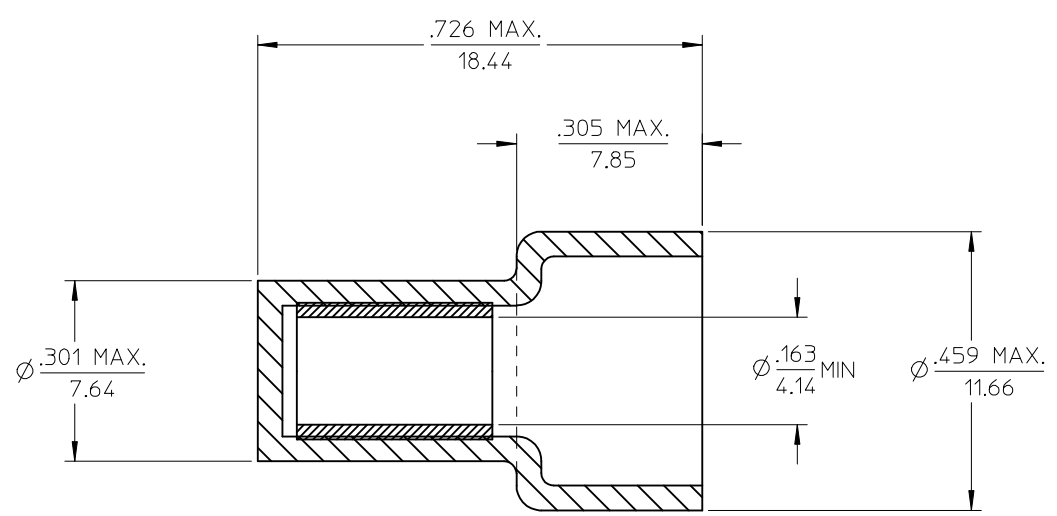


10	9	8	7	6	5	4	3	2	19160
MATERIAL NO.	ENG. NO.	DESCRIPTION							
191600190	NC-1810	NC-1810, CLOSED END 18-10 AWG CONNECTOR ASSY.							



SECTION B-B

SALES DRAWING

EC NO: ETC2003-0287 DRWN: DMYRICK 2003/05/02 CHKD: HEB 2003/05/05 APPR: RDEROSS 2003/05/05	QUALITY SYMBOLS	GENERAL TOLERANCES (UNLESS SPECIFIED)		SCALE 5:1	DESIGN UNITS INCH	THIRD ANGLE PROJECTION	REVISE ON CAD ONLY	
	▽ = 0 ∇ = 0	mm	INCH	DIMENSION STYLE IN/MM		TITLE CLOSED END CONNECTOR ASSEMBLY, 18-10 AWG		
		4 PLACES ± --- ± ---		DRAWN BY DLM	DATE 03/04/29	MOLEX INCORPORATED		
		3 PLACES ± --- ± .005		CHECKED BY HEB	DATE 03/04/29			
2 PLACES ± 0.13 ± .01		APPROVED BY RWD	DATE 03/04/29	MATERIAL NO. (SEE CHART)	DOCUMENT NO. SD-19160-008	SHEET NO. 1 OF 1		
1 PLACE ± 0.25 ± ---		ANGULAR ± 1/2°		THIS DRAWING CONTAINS INFORMATION THAT IS PROPRIETARY TO MOLEX INCORPORATED AND SHOULD NOT BE USED WITHOUT WRITTEN PERMISSION				
1	DESCRIPTION	DRAFT WHERE APPLICABLE MUST REMAIN WITHIN DIMENSIONS						

8	7	6	5	4	3	2	1
---	---	---	---	---	---	---	---