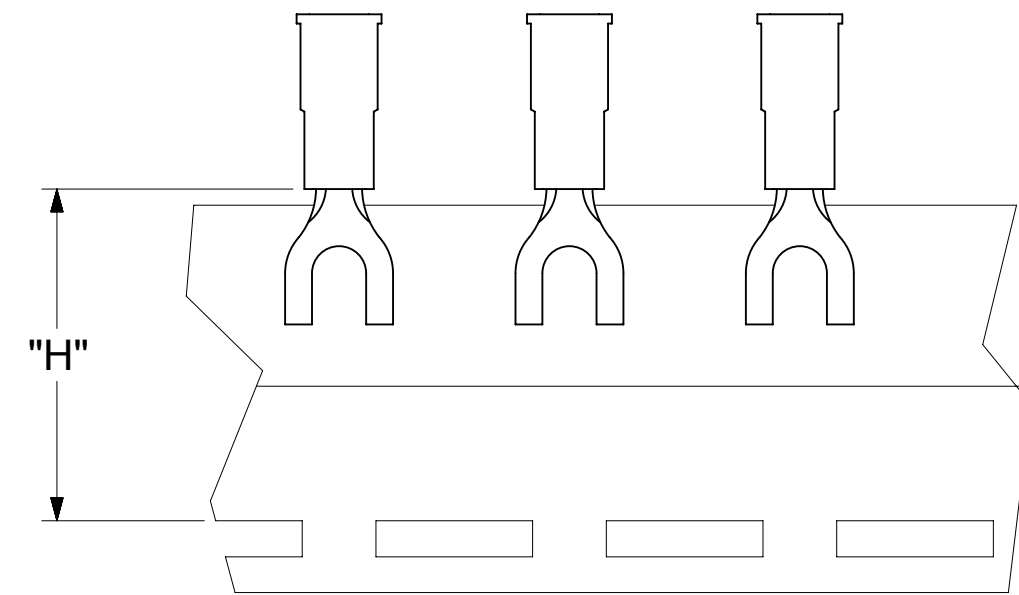
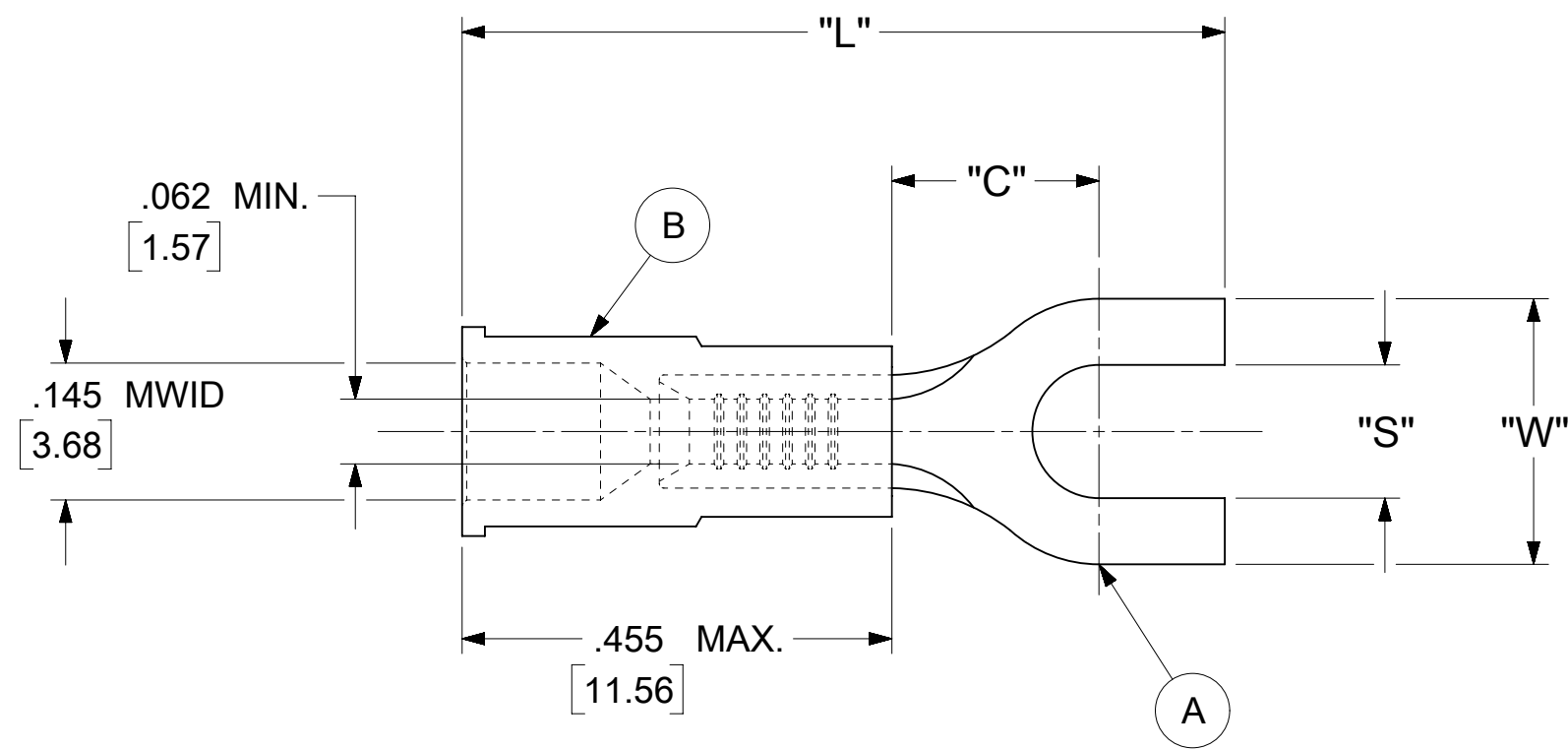


LOOSE PIECE		TAPE MOUNTED		SPECIFICATIONS					
MATERIAL NUMBER	ENGINEERING NUMBER	MATERIAL NUMBER	ENGINEERING NUMBER	STUD SIZE	"S" ±.005 [0.13]	"W" ±.010 [0.25]	"C" MIN.	"L" MAX.	"H"
191420003	A-235-06X	---	---	6	.146 [3.71]	.316 [8.02]	.303 [7.70]	.974 [24.74]	---
191420005	A-235-08X	---	---	8	.173 [4.39]				
191420007	A-235-10X	---	---	10	.198 [5.03]				



PARTS ON TAPE

NOTES:

1. MATERIAL:

(A). TERMINAL: COPPER (STOCK THICKNESS $.028 \begin{smallmatrix} +.001 \\ -.000 \end{smallmatrix}$ [0.71])

PLATING: ELECTRO-TIN (.0003 MIN.)

(B). INSULATION: MOLDED PVC (RED)

2. MWID: MAXIMUM WIRE INSULATION DIAMETER

3. WIRE SIZE: 22 -18 AWG

0.25 -1.5 MM²

4. "UL" LISTING #E32244

"CSA" LISTING #18689

5. ALL DIMENSIONS IN INCHES/[MM].

6. PARTS ARE ROHS COMPLIANT.

7. DIMS. SHOWN ARE FOR REFERENCE ONLY.

SYMBOLS	THIS DRAWING CONTAINS INFORMATION THAT IS PROPRIETARY TO MOLEX ELECTRONIC TECHNOLOGIES, LLC AND SHOULD NOT BE USED WITHOUT WRITTEN PERMISSION								
	DIMENSION UNITS	SCALE		CURRENT REV DESC: MIGRATION TO ECTR/NX					
$\nabla = 0$	INCH/MM	NTS		molex SPADE TONGUE TERMINAL INSULKRIMP 200-SERIES PRODUCT CUSTOMER DRAWING					
$\nabla = 0$	GENERAL TOLERANCES (UNLESS SPECIFIED)								
$\nabla = 0$		MM	INCH						
$\nabla = 0$	4 PLACES	±	±						
$\nabla = 0$	3 PLACES	±	± 0.005	EC NO: 620268	DRWN: ABENJAMINLW	2019/07/03			
$\nabla = 0$	2 PLACES	± 0.13	± 0.01	CHK'D: DMYRICK	2019/07/08				
$\nabla = 0$	1 PLACE	± 0.25	±	APPR: JMACNEIL	2019/07/10				
$\nabla = 0$	0 PLACES	±	±	INITIAL REVISION:					
$\nabla = 0$	ANGULAR TOL	±	°	DRWN: JJ	1984/10/24				
$\nabla = 0$	DRAFT WHERE APPLICABLE MUST REMAIN WITHIN DIMENSIONS			THIRD ANGLE PROJECTION	DRAWING	SERIES			
$\nabla = 0$					C-SIZE	19142			
DOCUMENT STATUS		P1	RELEASE DATE	2019/07/10	13:29:21	DOCUMENT NUMBER	DOC TYPE	DOC PART	REVISION
12		11	10	9	8	191420003	PSD	000	A
12		11	10	9	8	SEE TABLE	GENERAL MARKET	SHEET NUMBER	
12		11	10	9	8	1 OF 1			

NOTES:

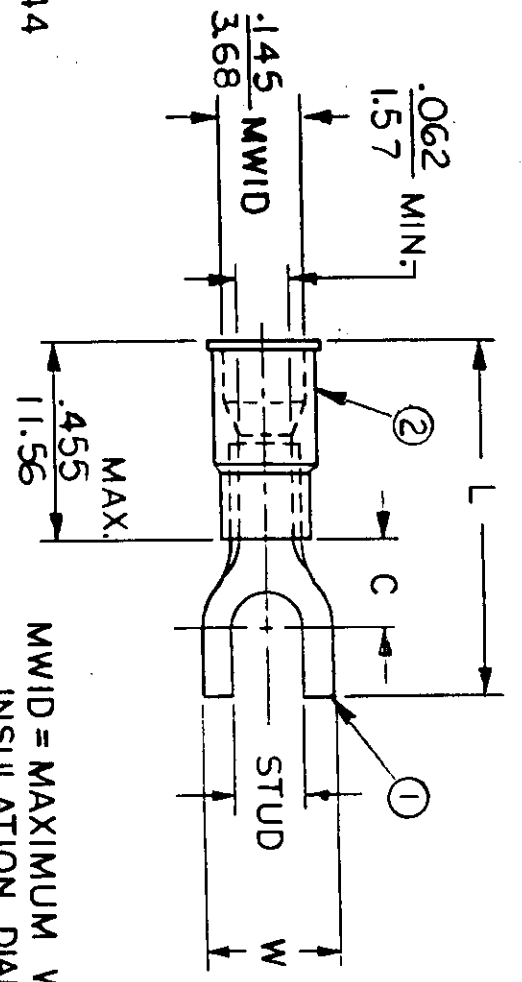
- ① MAT'L: COPPER(STOCK TKN. $\frac{026^{+.001}}{.71^{+.000}}$)
- PLATING: ELECTRO-TIN (.0003 MIN.)
- ② INSULATION: MOLDED PVC (RED)

STUD SIZES: ($\pm .005$)

- 02 = .094
- 04 = .119
- 06 = .146
- 08 = .173
- 10 = .198
- 14 = .265
- 56 = .328
- 38 = .390

"UL" LISTING *E32244
 "CSA" LISTING *18689

ALL DIMENSIONS = INCHES / MM



MWID = MAXIMUM WIRE
 INSULATION DIAMETER
 WIRE SIZE 22-18 AWG
 25-1.5 MM²

PART NUMBER	"W" ±.010	"C" MIN.	"L" MAX.	REFERENCE		SCALE:	NTS	DATE	TITLE:	DWG. NO.	CUSTOMER
				SCALE:	NTS						
A-235	.316 8.02	.303 7.70	.974 24.74	SCALE:	NTS	DATE	10-24-84	11-9-84	SPADE TONGUE TERMINAL INSULKRIMP 200-SERIES	A	CUSTOMER
DIMENSIONAL TOLERANCES UNLESS OTHERWISE SPECIFIED FRAC. DEC. ANG. ± ± ±											

