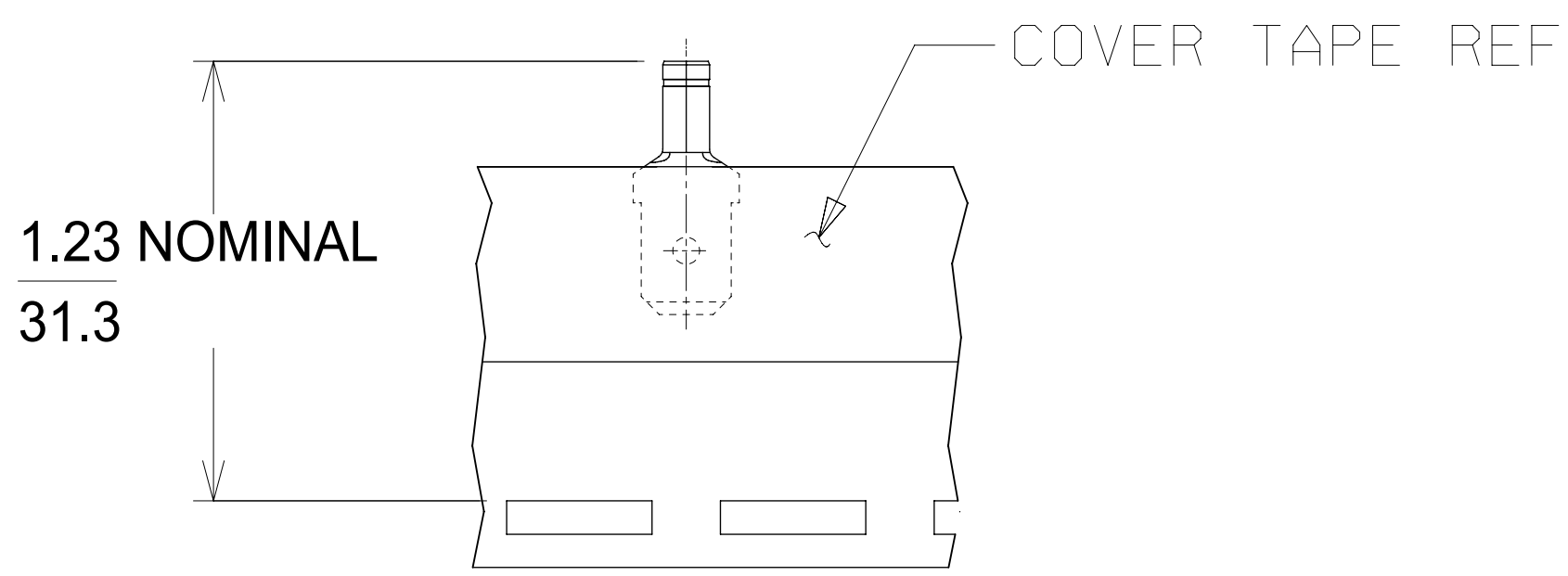
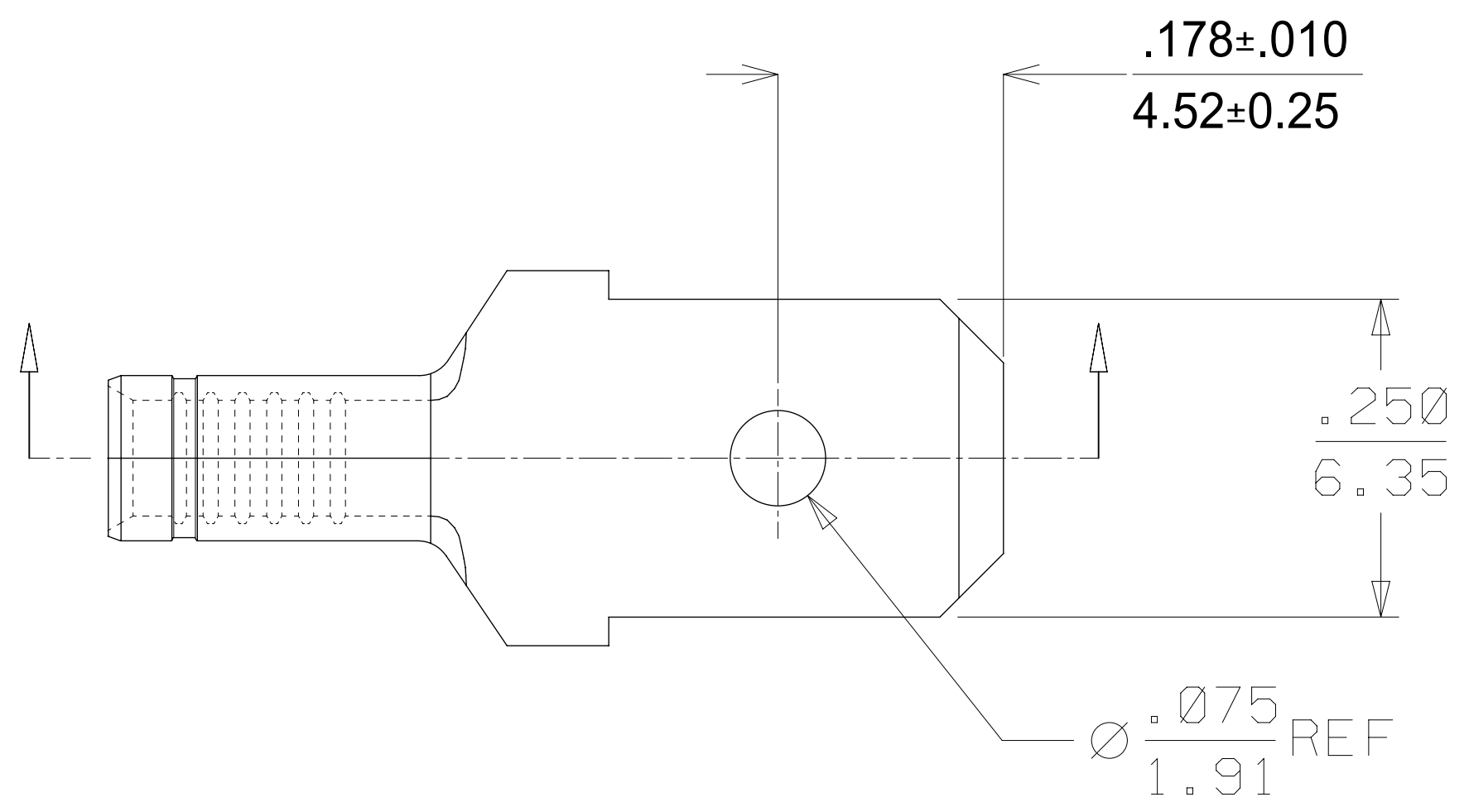
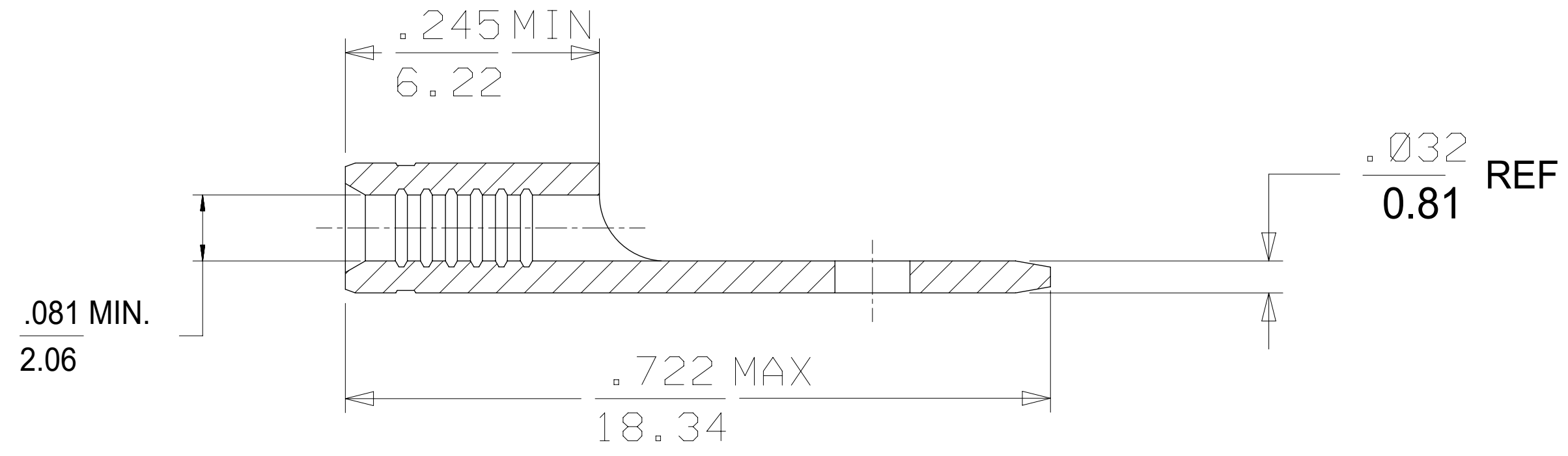


MATERIAL NO.	ENGINEERING NO.	DESCRIPTION
190220018	MCT-1	ZINC CHROMATE PLATED
190220026	MCT-1T	ZINC CHROMATE PLATED, TAPE MOUNTED



TAPE MOUNTING LOCATION FOR 190220026, MCT-1T



SALES DRAWING

- NOTES:
1. MATERIAL: BRASS
  2. FINISH: SEE CHART
  3. WIRE SIZE: 16-14 AWG (1.23-1.94 mm<sup>2</sup>)
  4. TAB DIMENSIONS CONFORM TO UL310 SPECIFICATIONS.
  5. PART IS ROHS COMPLIANT.

THIS DRAWING CONTAINS INFORMATION THAT IS PROPRIETARY TO MOLEX ELECTRONIC TECHNOLOGIES, LLC AND SHOULD NOT BE USED WITHOUT WRITTEN PERMISSION									
DIMENSION UNITS		SCALE		CURRENT REV DESC: REMOVED OBSOLETE PART NUMBER AS PER PCN#509989.				<b>molex</b>	
IN/MM		4:1							
GENERAL TOLERANCES (UNLESS SPECIFIED)				EC NO: 708673		2022/05/25		MALE CONNECTOR TERMINAL .250 X .032 TAB KRIMPTITE	
4 PLACES		±		DRWN: SANTHN		2022/06/22			
3 PLACES		±		CHK'D: GGA		2022/06/22		PRODUCT CUSTOMER DRAWING	
2 PLACES		± 0.13		APPR: GGA		2022/06/22			
1 PLACE		± 0.25		INITIAL REVISION:				DOCUMENT NUMBER	
0 PLACES		±		DRWN: R. STONE		2007/08/14			
ANGULAR TOL		± 0.5 °		APPR: J. MACNEIL		2007/08/16		SD-19022-011	
DRAFT WHERE APPLICABLE MUST REMAIN WITHIN DIMENSIONS				THIRD ANGLE PROJECTION		DRAWING		SERIES	
				C-SIZE		19022		MATERIAL NUMBER	
								CUSTOMER	
								GENERAL MARKET	
								SHEET NUMBER	
								1 OF 1	

DOCUMENT STATUS	P1	RELEASE DATE	2022/06/22	14:10:20
-----------------	----	--------------	------------	----------