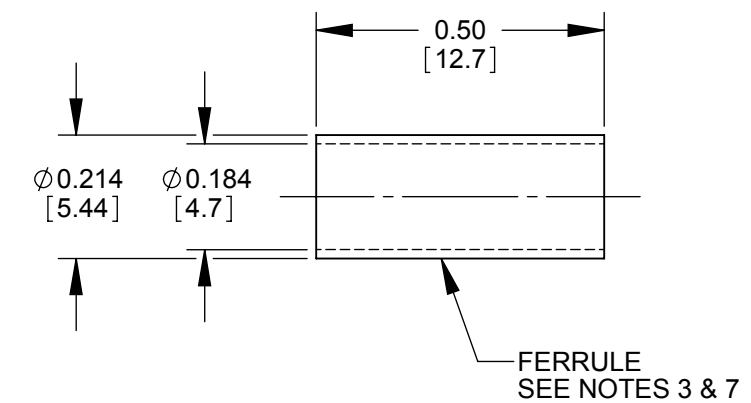
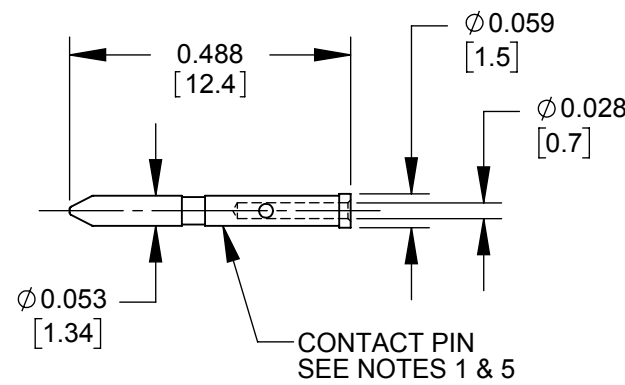
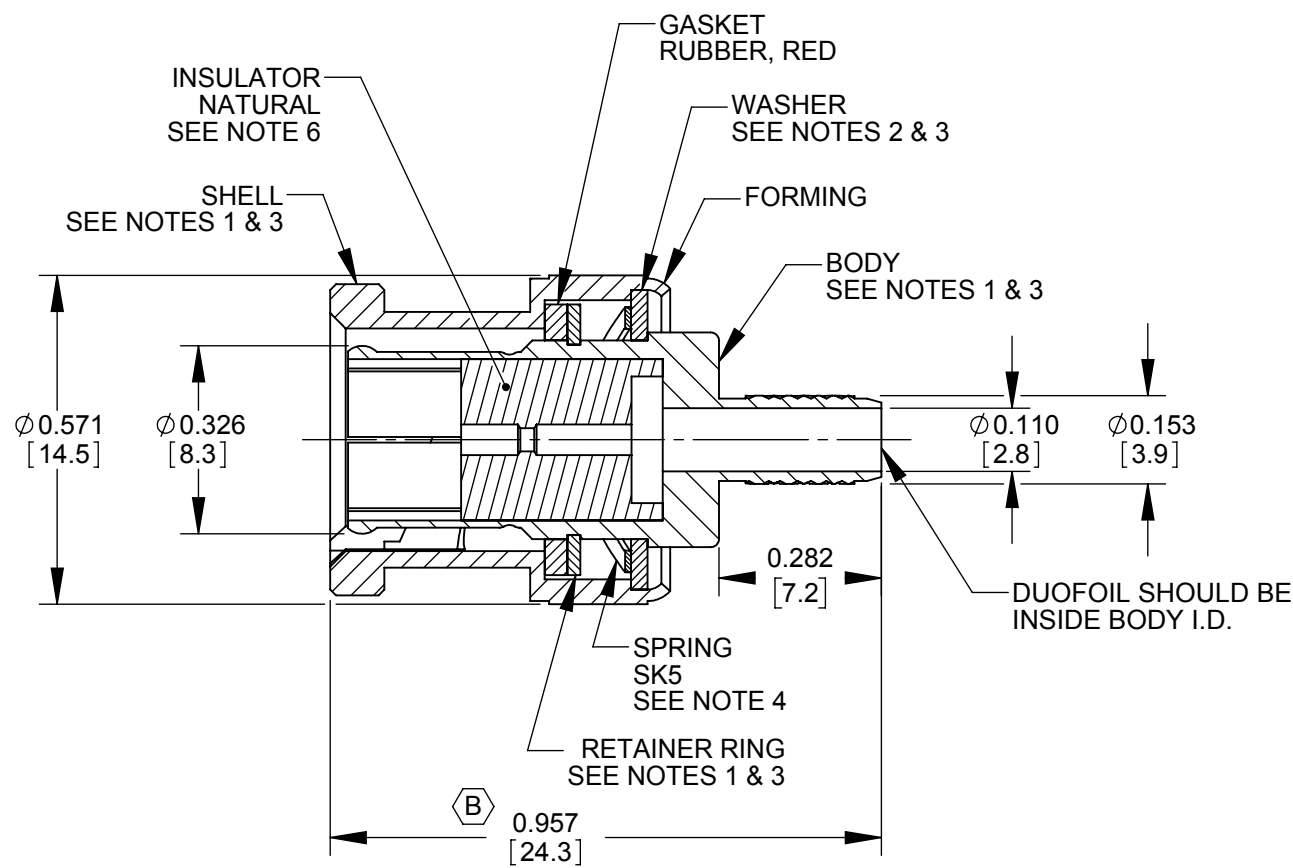


**RECOMMENDED
CABLE STRIPPING DIMENSIONS**
SWITCHCRAFT STRIPPING TOOL #PTS1

ALTERNATE KNURL DESIGN



SECTION A-A

NOTES:

FINISH (PLATING THICKNESS IN MICRO-INCHES)

1. BRASS PER QQ-B-626
2. BRASS PER QQ-B-613
3. NICKEL PLATING 100 MIN THICK OVER COPPER STRIKE.
4. NICKEL PLATING 200 MIN THICK OVER COPPER STRIKE.
5. GOLD PLATING 50 MIN THICK OVER NICKEL PLATING 100 MIN THICK OVER COPPER STRIKE.
6. TEFLON MIL-P-19468
7. JIS H 3250, C2600
8. CRIMPED FERRULE HEX CRIMP SIZE 0.178.
9. CRIMPED CONTACT PIN SQUARE CRIMP SIZE 0.042 OR HEX CRIMP SIZE 0.041.
10. ALL DIMENSIONS ARE REFERENCE.
11. THIS PRODUCT MEETS SMPTE ST 2082-1.
12. THIS PRODUCT IS RoHS COMPLIANT.

CUSTOMER DRAWING

					THIS DRAWING DESCRIBES A DESIGN CONSIDERED PROPRIETARY IN NATURE, DEVELOPED AND MANUFACTURED BY SWITCHCRAFT INC. AND IS RELEASED ON A CONFIDENTIAL BASIS FOR IDENTIFICATION PURPOSES ONLY.							
					SIZE	WIDTH	MULT	LBS/M	TEMPER			
					UNLESS OTHERWISE SPECIFIED			FINISH SPEC No.		MATERIAL SPEC No.		
					1. ALL DIMENSIONS IN INCHES [mm]			FIRST USED ON		SCALE 3:1		
					- TWO PLACE DECIMALS ±0.02 [0.5]			DATE DRAWN		BY		
					- THREE PLACE DECIMALS ±0.005 [0.13]			10-17-16		SRC		
								CHKD SRC		APVD TJK		
B	28086	10-26-18	PC	TJK				10-17-16		11-28-17		
A	27942	11-28-17	PC	TJK				NAME		PART No.		
REV	ECO NUMBER	DATE	BY	APVD	DO NOT SCALE DRAWING			UHD BNC CONNECTOR 4855R CABLE, RoHS		UHDBNC55		
REVISIONS										SHEET 1 OF 1		REV B