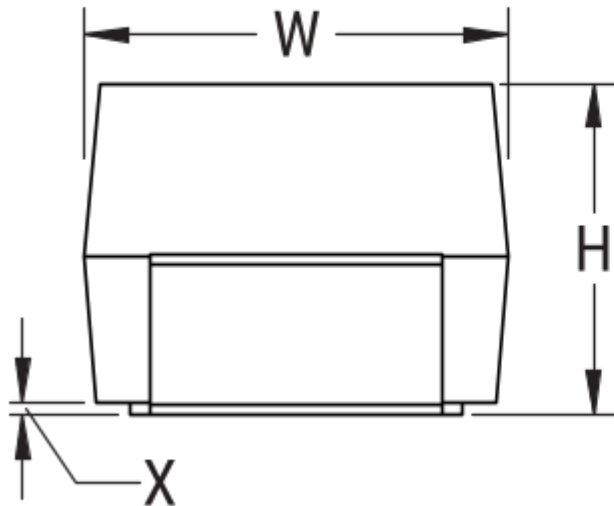


# T495T476M004ATE1K0

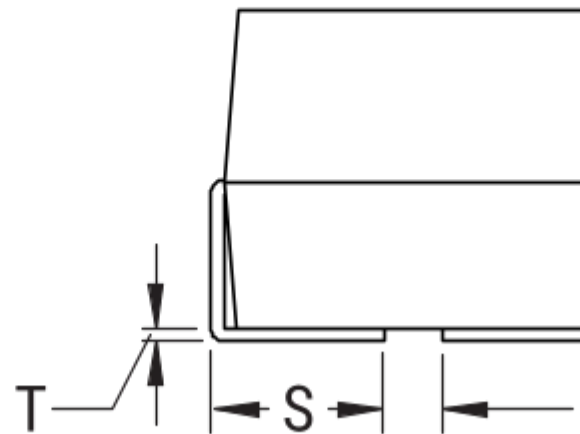
Obsolete

T495, Tantalum, MnO<sub>2</sub> Tantalum, 47 uF, 20%, 4 VDC, SMD, MnO<sub>2</sub>, Molded, Low Profile, Low ESR, 1 Ohms, 3528, Height Max = 1.2mm

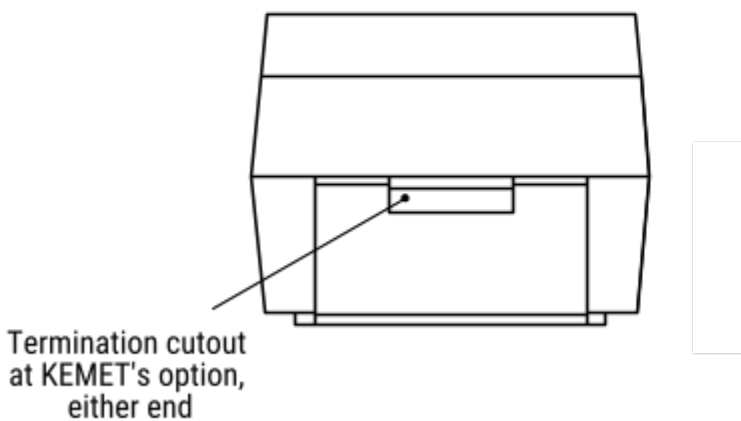
## CATHODE (-) END VIEW



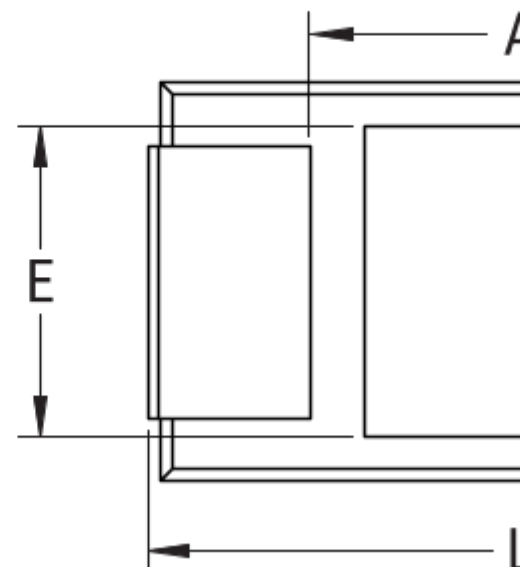
## SIDE



## ANODE (+) END VIEW



## BOTTOM



Click [here](#) for the 3D model.

### Dimensions

Footprint 3528

L 3.5mm +/-0.2mm

### Dimensions

W	2.8mm +/-0.2mm
H	1.1mm +/-0.1mm
T	0.13mm REF
S	0.8mm +0.1/-0.3mm
F	2.2mm +/-0.1mm
A	1.9mm MIN
E	2.2mm REF
G	1.8mm REF
X	0.05mm REF

### Packaging Specifications

Packaging	T&R, 178mm
Packaging Quantity	3000

### General Information

Series	T495
Dielectric	MnO2 Tantalum
Style	SMD Chip
Description	SMD, MnO2, Molded, Low Profile, Low ESR
Features	Low ESR
RoHS	Yes
Termination	Tin
AEC-Q200	No
Component Weight	63.89 mg
Shelf Life	156 Weeks
MSL	1

### Specifications

Capacitance	47 uF
Capacitance Tolerance	20%
Voltage DC	4 VDC (85C), 2.68 VDC (125C)
Temperature Range	-55/+125°C
Rated Temperature	85°C
Dissipation Factor	10% 120Hz 25C
Failure Rate	N/A
Resistance	1000 mOhms (100kHz 25C)
Ripple Current	265 mA (rms, 100kHz 25C), 238.5 mA (rms, 85C), 106 mA (rms, 125C)
Leakage Current	1.9 uA (5min 25°C)

Statements of suitability for certain applications are based on our knowledge of typical operating conditions for such applications, but are not intended to constitute - and we specifically disclaim - any warranty concerning suitability for a specific customer application or use. This Information is intended for use only by customers who have the requisite experience and capability to determine the correct products for their application. Any technical advice inferred from this Information or otherwise provided by us with reference to the use of our products is given gratis, and we assume no obligation or liability for the advice given or results obtained.

Generated 5/18/2023 - de445869-9ee7-43a4-9122-52fc9f9a3ca2

© 2006 - 2023 KEMET

Generated 5/18/2023 - de445869-9ee7-43a4-9122-52fc9f9a3ca2

© 2006 - 2023 KEMET