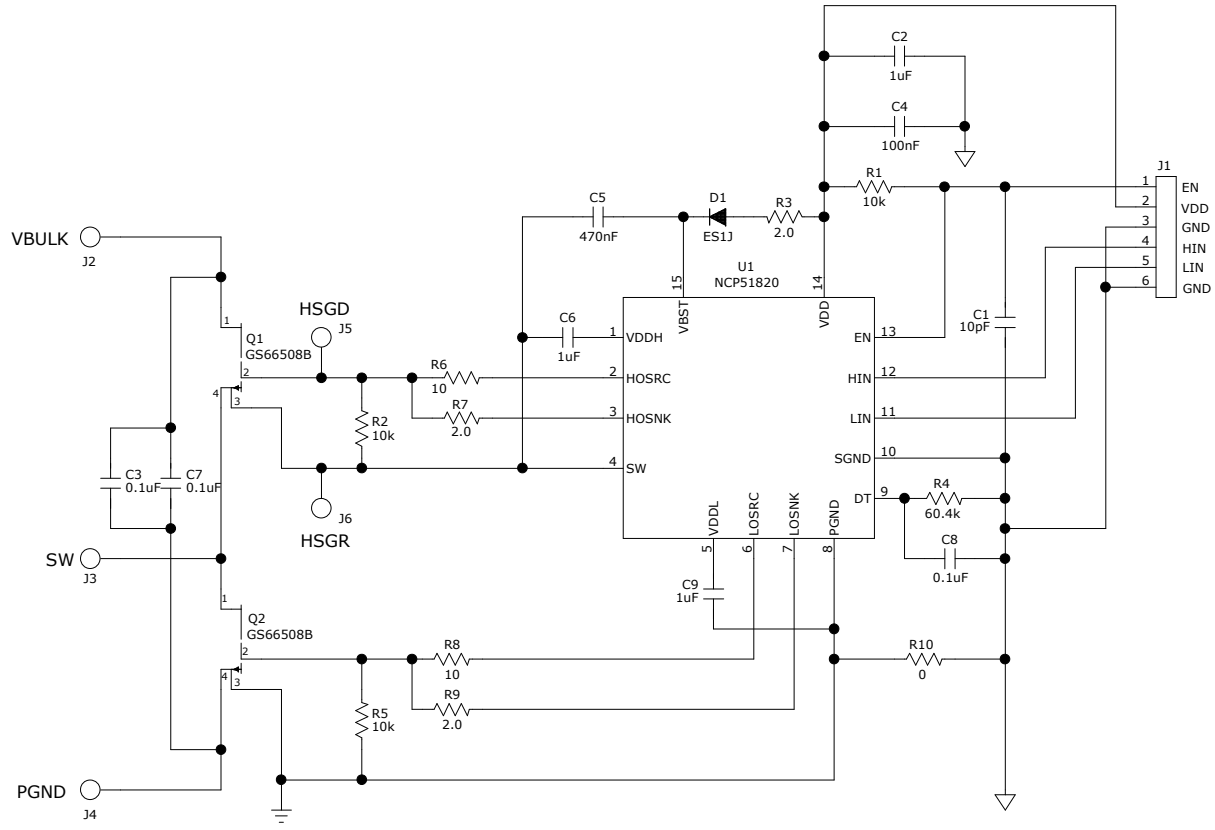


LOG1  
ON  
ON: 10/20/19

REVISION RECORD			
LTR	ECO NO:	APPROVED:	DATE:



COMPANY: ON SEMICONDUCTOR

TITLE: NCP51820 Driver GaN Systems GS65508B EVB

DRAWN: M Pantanella	DATED: 5/8/19
CHECKED:	DATED:
QUALITY CONTROL:	DATED:
RELEASED:	DATED:

CODE:	SIZE: <b>C</b>	DRAWING NO:	REV: <b>1.0</b>
SCALE:			SHEET: 1 OF 1