

SAW Filter 469.80MHz
Part No: MP06905

Model: TA1685A
Rev No: 3

A. MAXIMUM RATING:

Electrostatic Sensitive Device (ESD)

1. Input Power Level: 20dBm
2. DC Voltage: 6V
3. Operating Temperature: -40°C to +85°C
4. Storage Temperature: -40°C to +105°C

B. ELECTRICAL CHARACTERISTICS:

Item	Unit	Min.	Typ.	Max.
Center frequency Fc	MHz	-	469.8	-
1.5dB BW	kHz	300	530	-
3dB BW	kHz	-	710	950
Minimum insertion loss IL (min) Incl. loss of matching elements (Q=) *1)	dB	-	3.6	4.5
Passband (relative to IL min) *1) 469.650 ~ 469.950MHz	dB	-	0.6	3.0
Attenuation (relative to IL min) *1)				
10.000 ~ 455.75MHz	dB	44	46	-
455.75 ~ 462.75MHz	dB	40	42	-
462.75 ~ 467.75MHz	dB	25	30	-
467.75 ~ 468.75MHz	dB	15	23	-
470.85 ~ 471.85MHz	dB	13	18	-
471.85 ~ 480.85MHz	dB	19	28	-
480.85 ~ 485.85MHz	dB	42	48	-
485.85 ~ 2000.0MHz	dB	40	50	-
Source Impedance	ohm	50		
Load Impedance	ohm	50		

*1). The matching circuit is real by actual passive components.
 0805 Coillcraft CS series chip conductor is used for inductor.
 0402 muRata GRM series is used for capacitor.

SAW Filter 469.80MHz
Part No: MP06905

Model: TA1685A
Rev No: 3

C. FREQUENCY CHARACTERISTICS:

1. Wide band Response:

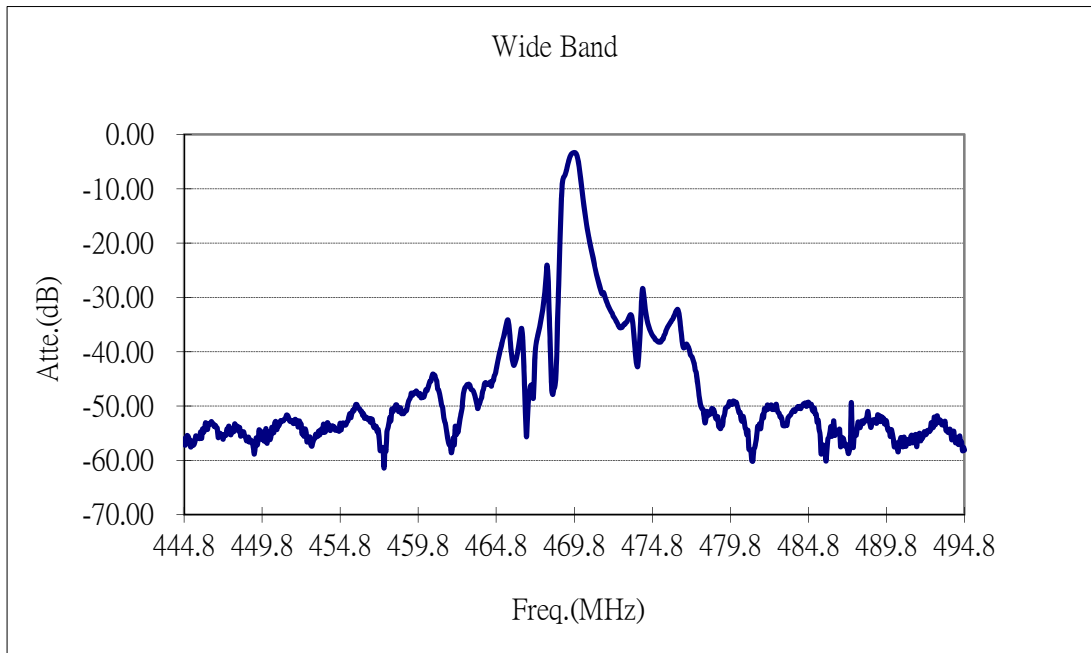


Fig. 1. Horizontal: 5MHz/Div, Vertical: 10dB/Div

2. Pass band Response:

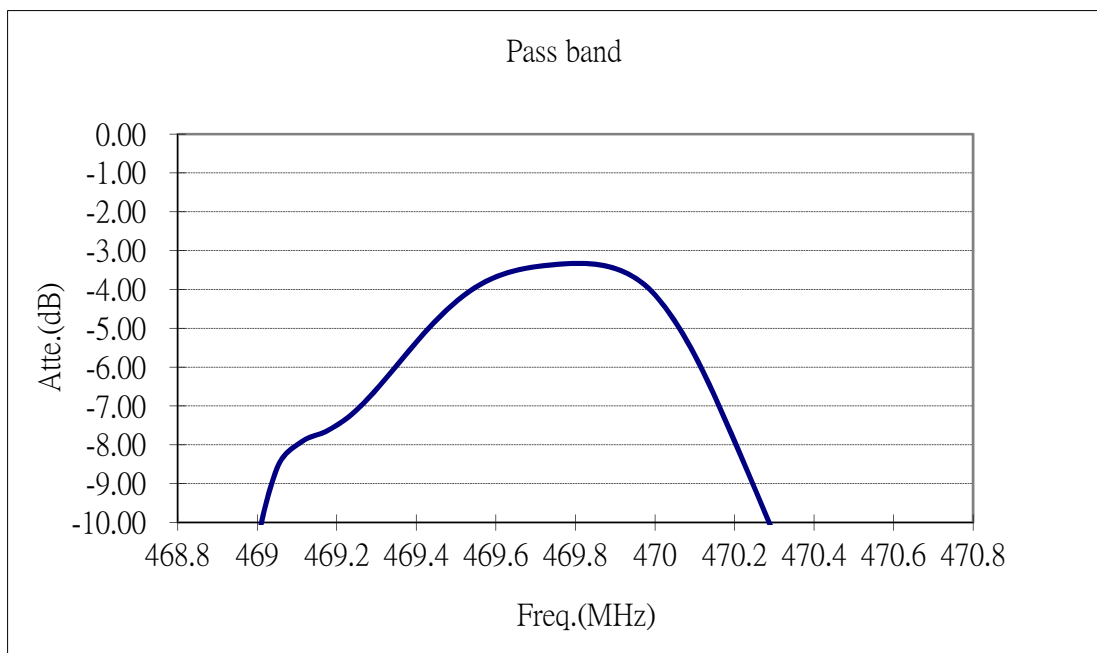


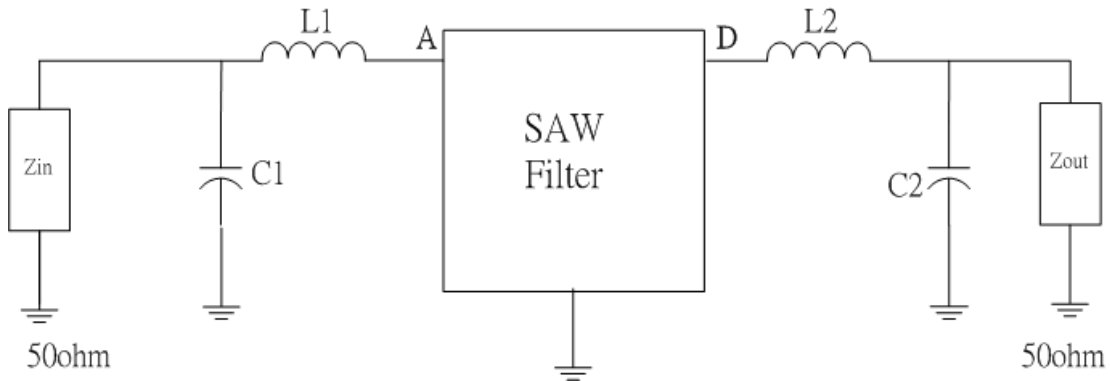
Fig. 2. Horizontal: 0.2MHz/Div, Vertical: 1dB/Div

SAW Filter 469.80MHz
Part No: MP06905

Model: TA1685A
Rev No: 3

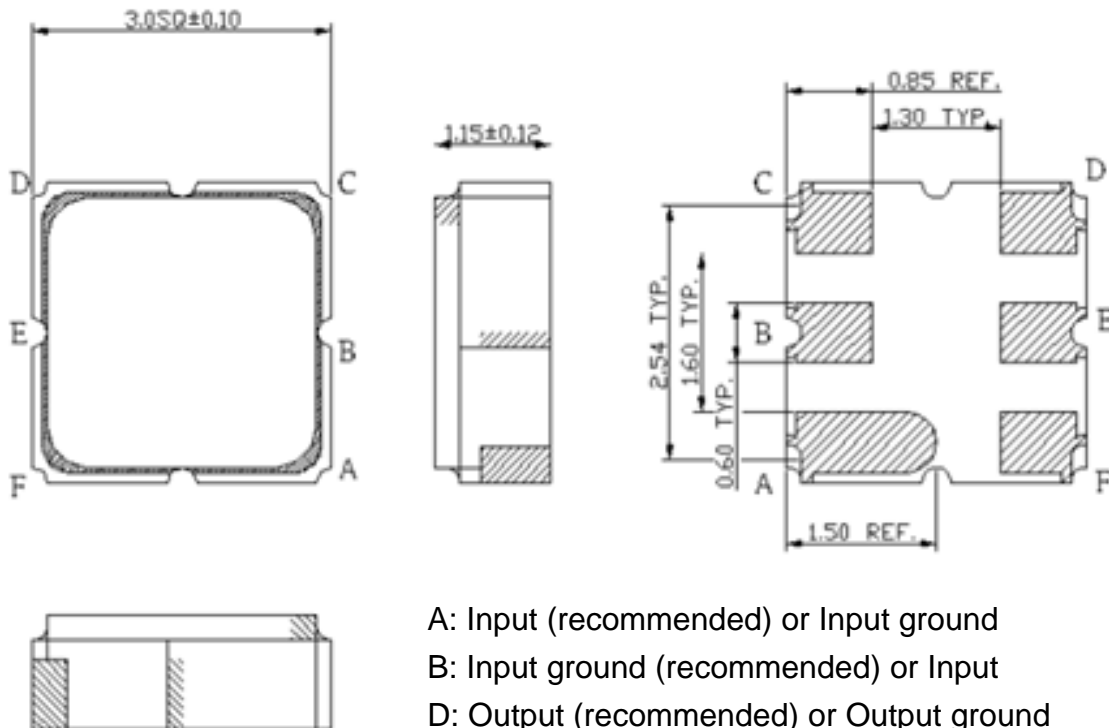
D. MEASUREMENT CIRCUIT:

The matching circuit is real by actual passive components.



$L1 = 68\text{nH}$, $L2 = 68\text{nH}$, $C1 = 8\text{pF}$, $C2 = 8\text{pF}$

E. OUTLINE DRAWING:

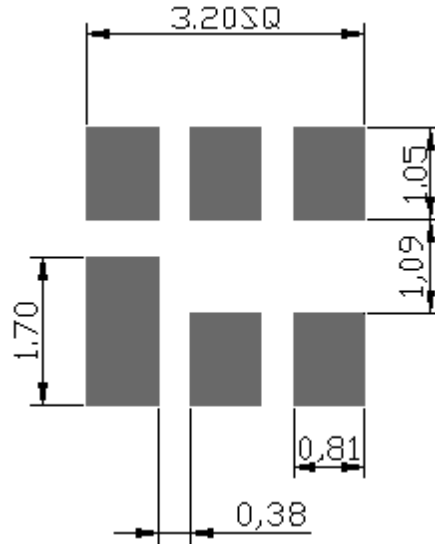


- A: Input (recommended) or Input ground
 - B: Input ground (recommended) or Input
 - D: Output (recommended) or Output ground
 - E: Output ground (recommended) or Output
 - C, F: Ground
- Unit: mm

SAW Filter 469.80MHz
Part No: MP06905

Model: TA1685A
Rev No: 3

F. PCB FOOTPRINT:

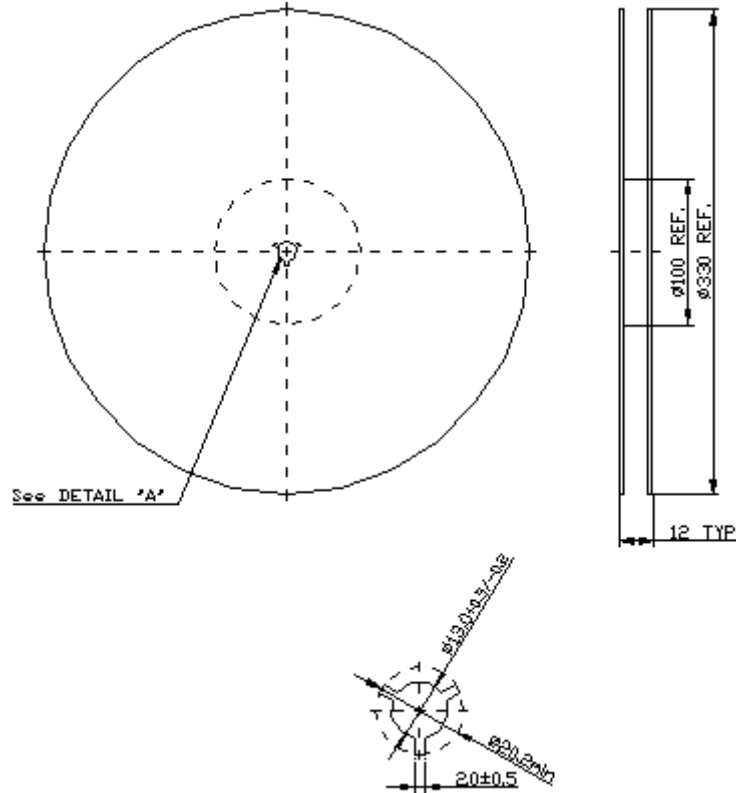


SAW Filter 469.80MHz
Part No: MP06905

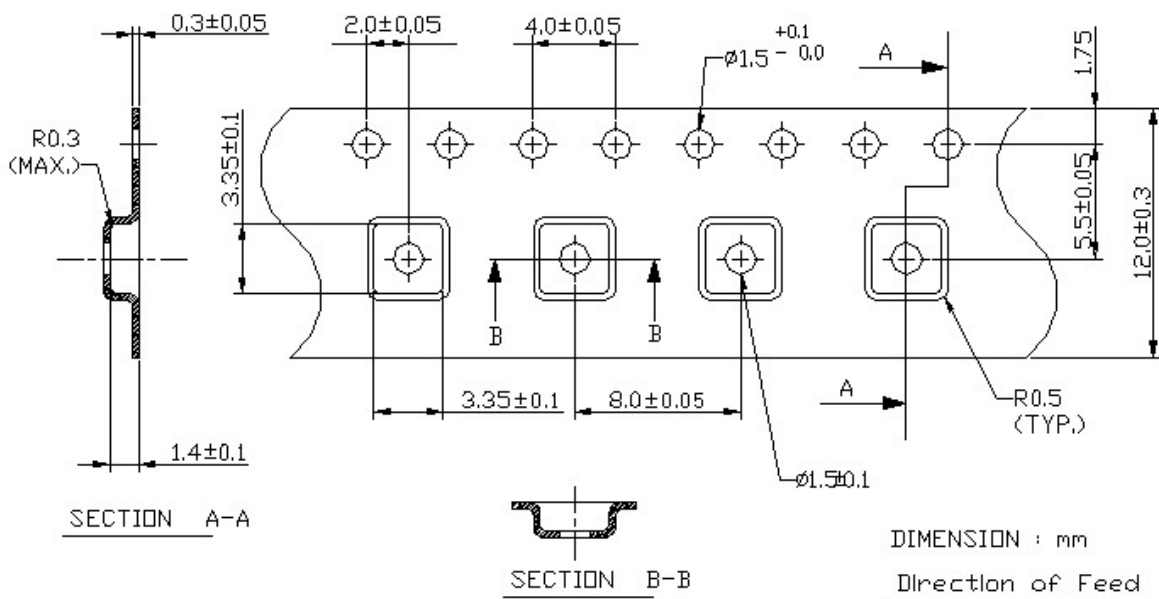
Model: TA1685A
Rev No: 3

G. PACKING:

1. Reel Dimension (Please refer to FR-75D10 for packing quantity)



2. Tape Dimension



SAW Filter 469.80MHz
Part No: MP06905

Model: TA1685A
Rev No: 3

H. RECOMMENDED REFLOW PROFILE:

