

SPECIFICATION

IS.04 868MHz Hercules ISM Band Antenna

Part No.	IS.04.B.301111
Product Name	868MHz Hercules ISM Band Antenna Screw-mount (Permanent mount)
Features	Low profile-Height 29mm and diameter 49mm Heavy duty screw mount UV and Vandal resistant PC housing Standard cable is 3m RG174 with SMA(M)- connector fully customizable ROHS & REACH Compliant



1. INTRODUCTION

The 868MHz Hercules ISM antenna is a high-performance steel thread-mount ISM antenna for external use on vehicles and outdoor assets worldwide. Omni-directional high gain across all bands ensures constant reception and transmission. Durable UV resistant PC housing is resistant to vandalism and direct attack. At only 29 mm height it complies with the latest EU height restrictions directives for roof-mounted objects, with a diameter of 52 mm. Designed to not catch on tree-branches. The antenna can be mounted on metal structures.

2. SPECIFICATION

ELECTRICAL					
Standard	ISM				
Band (MHz)	868				
Frequency (MHz)	868-870				
Cable Length (m)	0.3	1.0	2.0	3.0	5.0
Return Loss (dB)	-13.95	-14.09	-13.84	-13.07	-21.93
Efficiency (%)	26.88	43.12	38.52	33.75	20.45
Gain (dBi)	1.17	2.09	1.98	1.98	1.03
Polarization	Linear				
Impedance	50 ohms				
Max Input Power	10 watts				
VSWR	<2.5:1				

***Note:** The return loss, efficiency and gain in the above table, were measured on 30x30 cm metal plate with RG174 cable. For a specific case performance refers to the below plots.

MECHANICAL	
Dimensions	Height = 29 mm and Diameter = 49 mm
Cable length	3m RG174 – Fully Customable
Connector	SMA-Male – Fully Customable
Casing	UV Resistant PC
Base and Thread	Nickel plated steel
Thread Diameter	18 mm
Weather proof gasket	Rubber
Sealant	Rubber Stopper
ENVIRONMENTAL	
Corrosion	5% NaCl for 48hrs - Nickel plated steel base and thread
Temperature Range	-40°C to +85°C
Thermal Shock	100 cycles -40°C to +85°C
Humidity	Non-condensing 65°C 95% RH
Shock (Drop Test)	1m drop on concrete 6 axes
Cable Pull	8 Kgf
Recommended Torque Setting for Mounting	24.5N·m
Maximum Torque Setting for Mounting	29.4N·m
Weight	152g

***Note:** Specifications may be subject to change

3. TEST SET UP

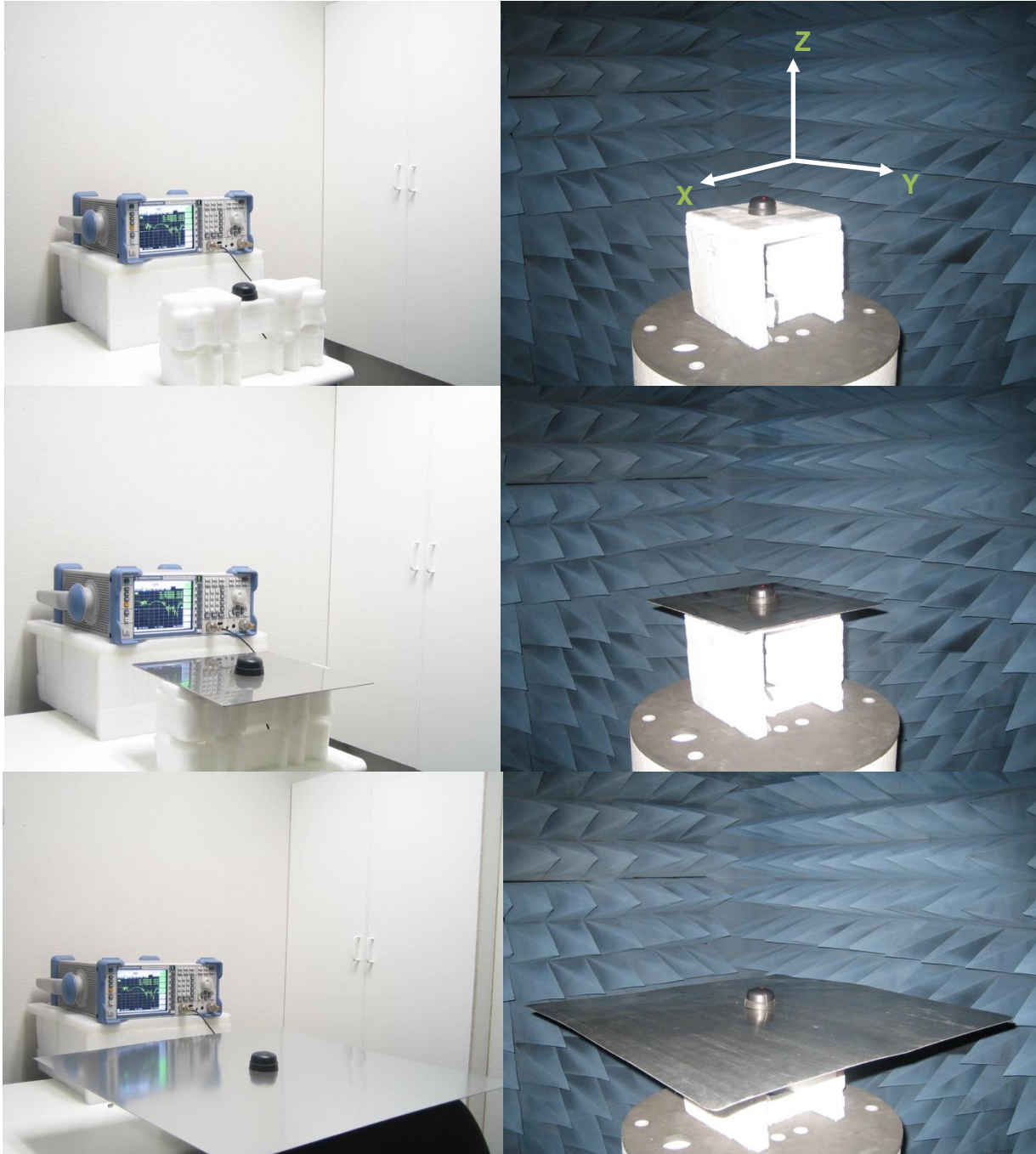


Figure 1. IS.04 Antenna test set up in free space, 30x30 cm metal plate and 60x60 cm metal plate, R&SZVL6 VNA (left) and R&S4100 CTIA 3D Chamber (Right).

4. ANTENNA PARAMETERS

4.1 Return Loss

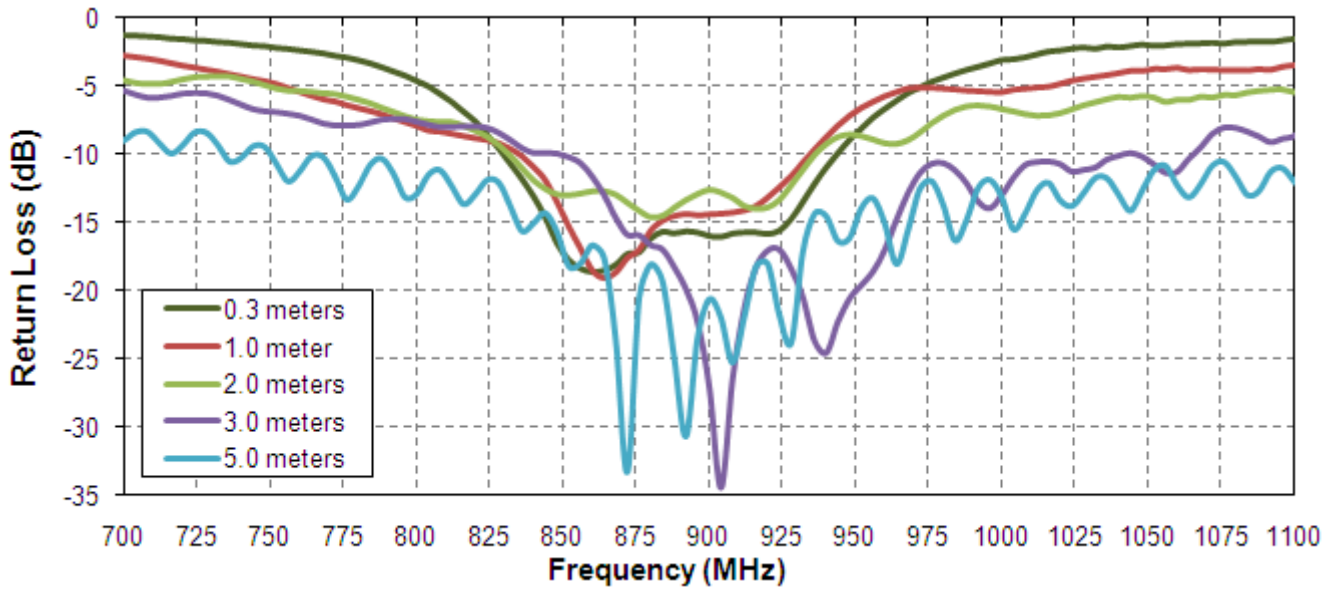


Figure 2. Return Loss of the 868MHz Hercules ISM antenna in free space

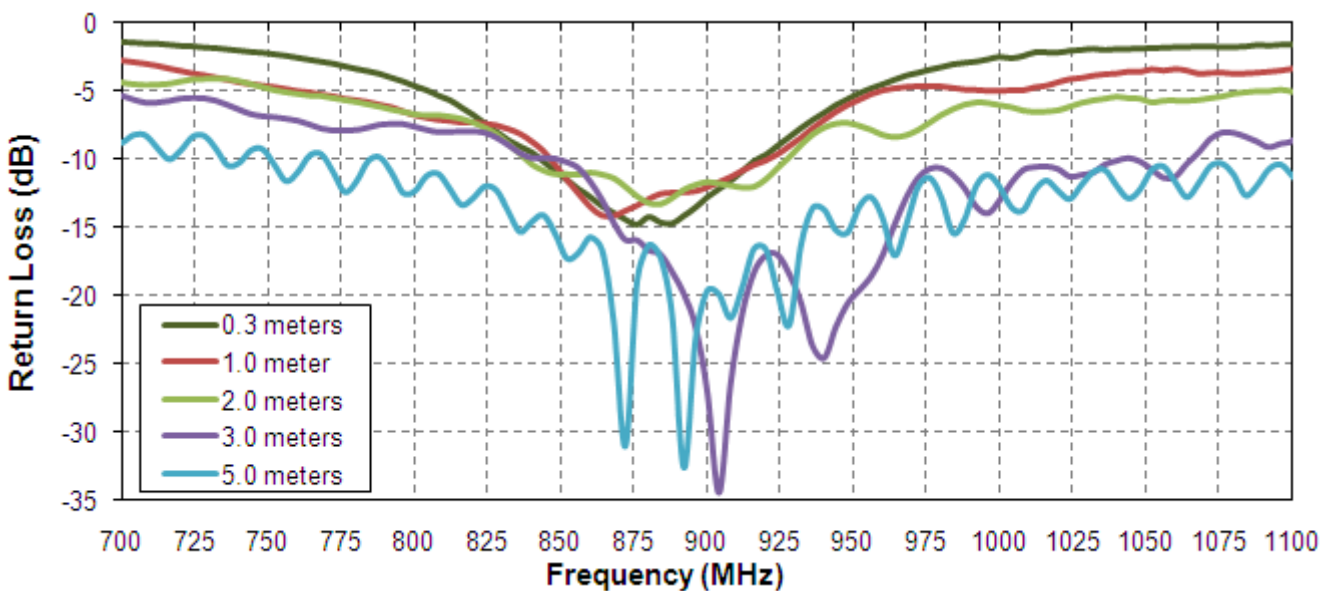


Figure 3. Return loss of the 868MHz Hercules ISM antenna on 30x30 cm metal plate.

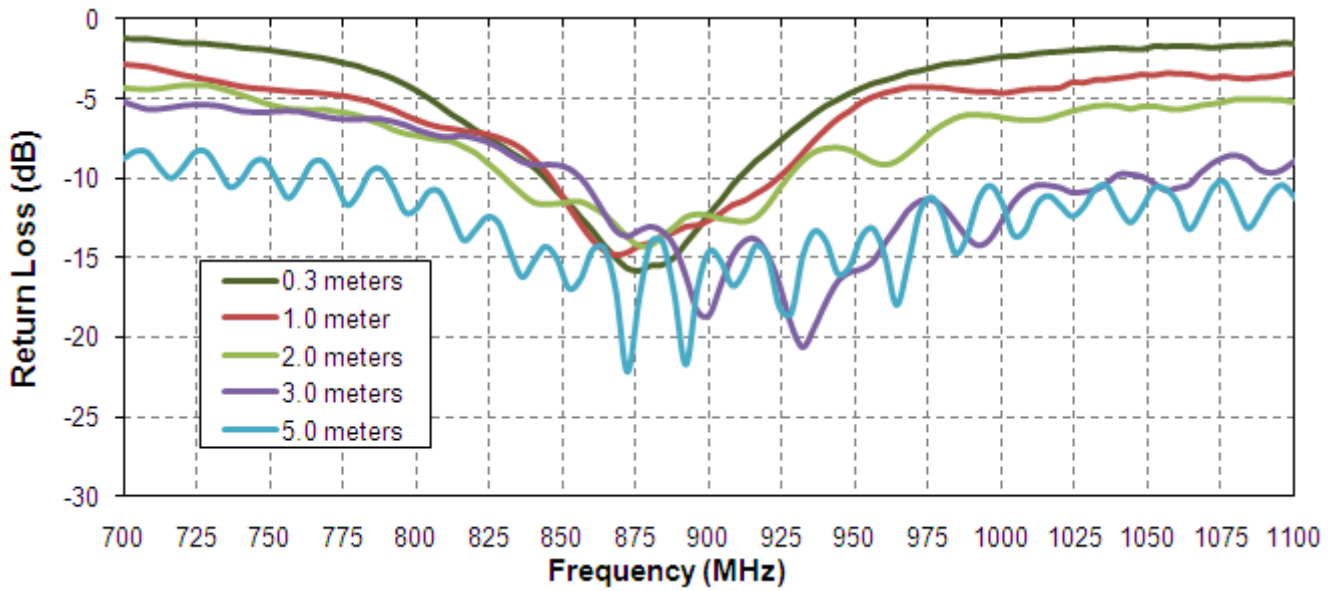


Figure 4. Return loss of the 868MHz Hercules ISM antenna on 60x60 cm metal plate.

4.2 Efficiency

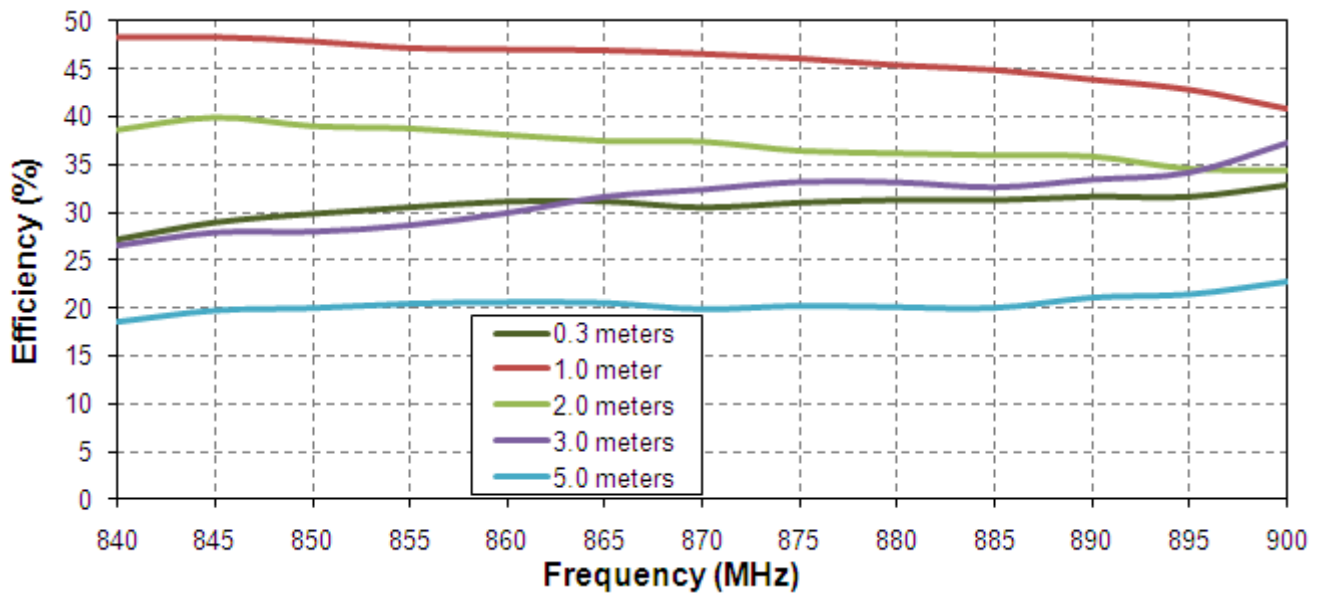


Figure 5. Efficiency of the 868MHz Hercules ISM antenna in free space.

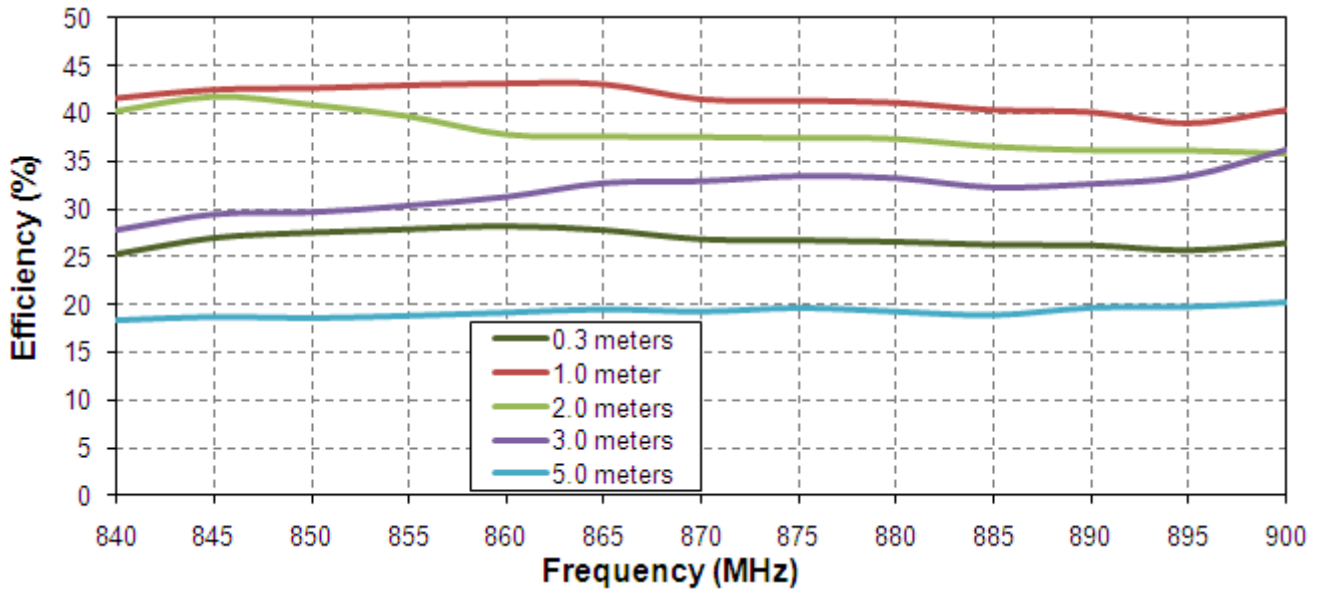


Figure 6. Efficiency of the 868MHz Hercules ISM antenna on 30x30 cm metal plate.

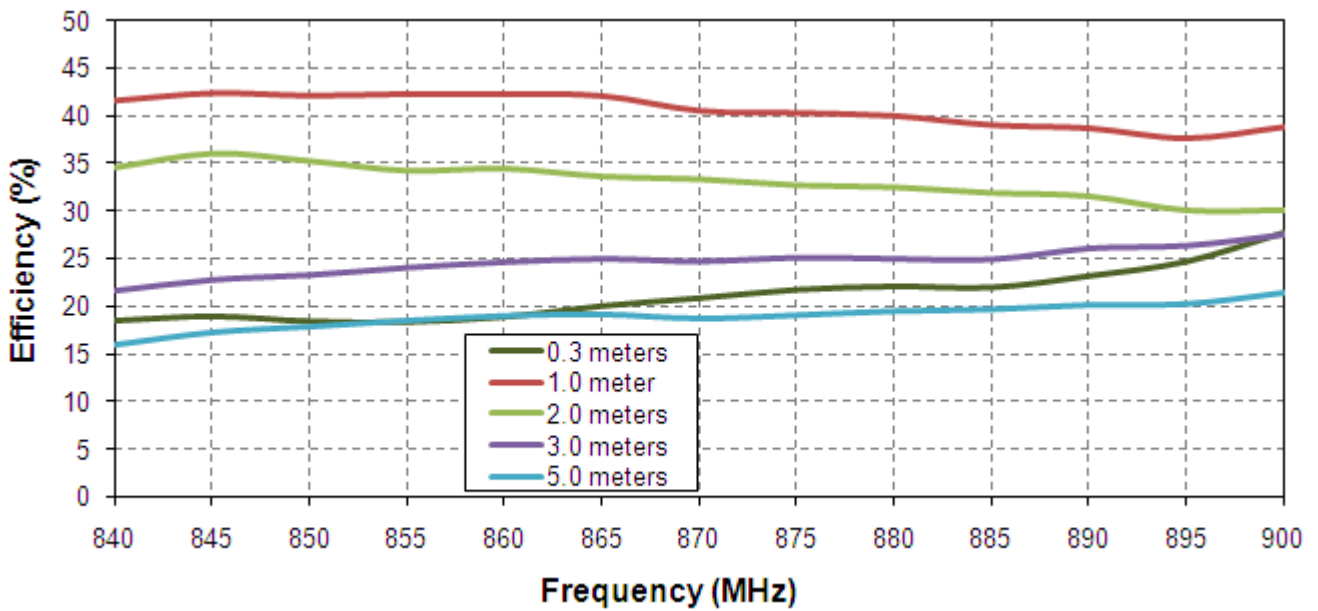


Figure 7. Efficiency of the 868MHz Hercules ISM antenna on 60x60 cm metal plate.

4.3 Gain

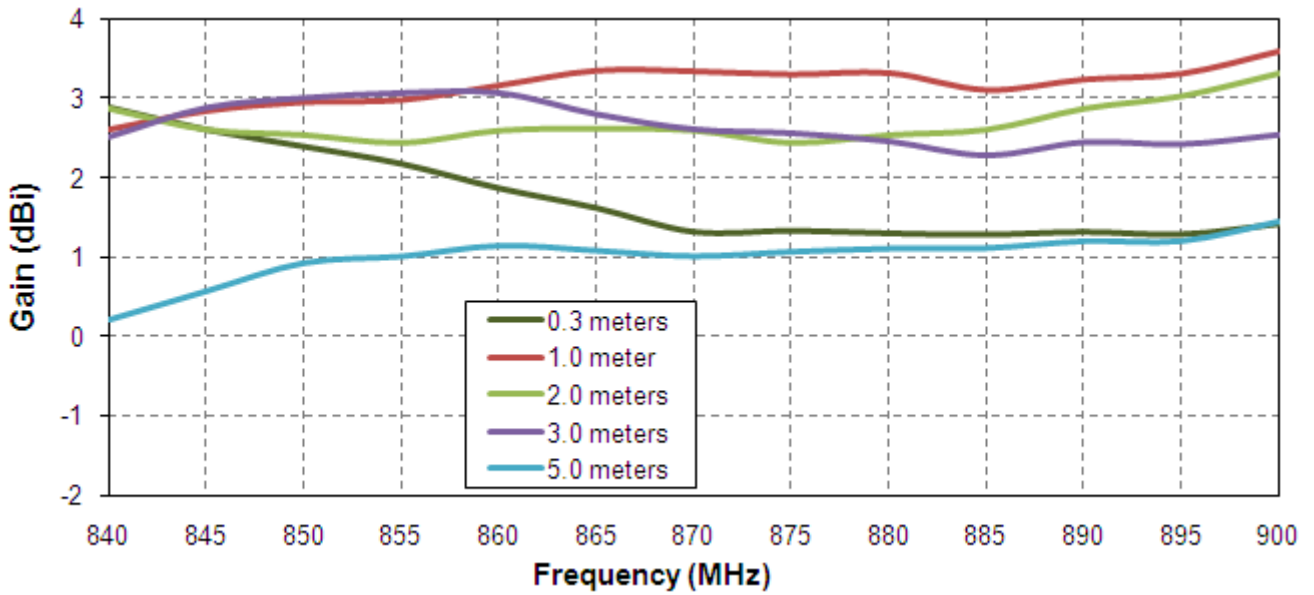


Figure 8. Gain of the 868MHz Hercules ISM antenna in free space.

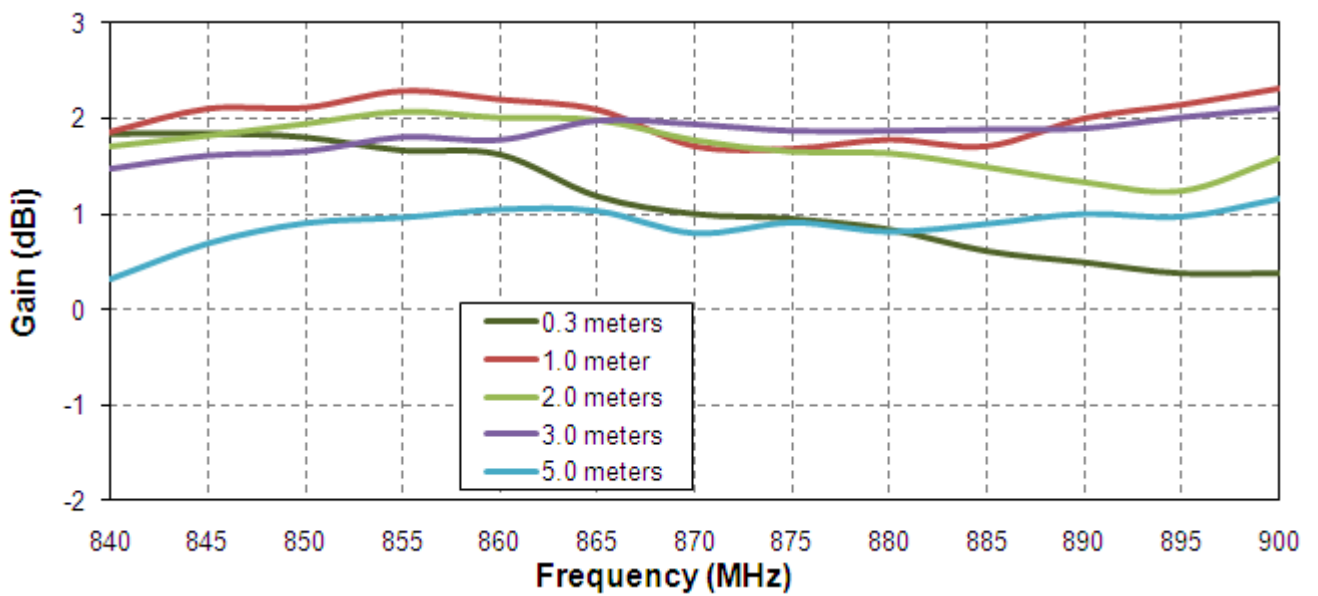


Figure 9. Gain of the 868MHz Hercules ISM antenna on 30x30 cm metal plate.

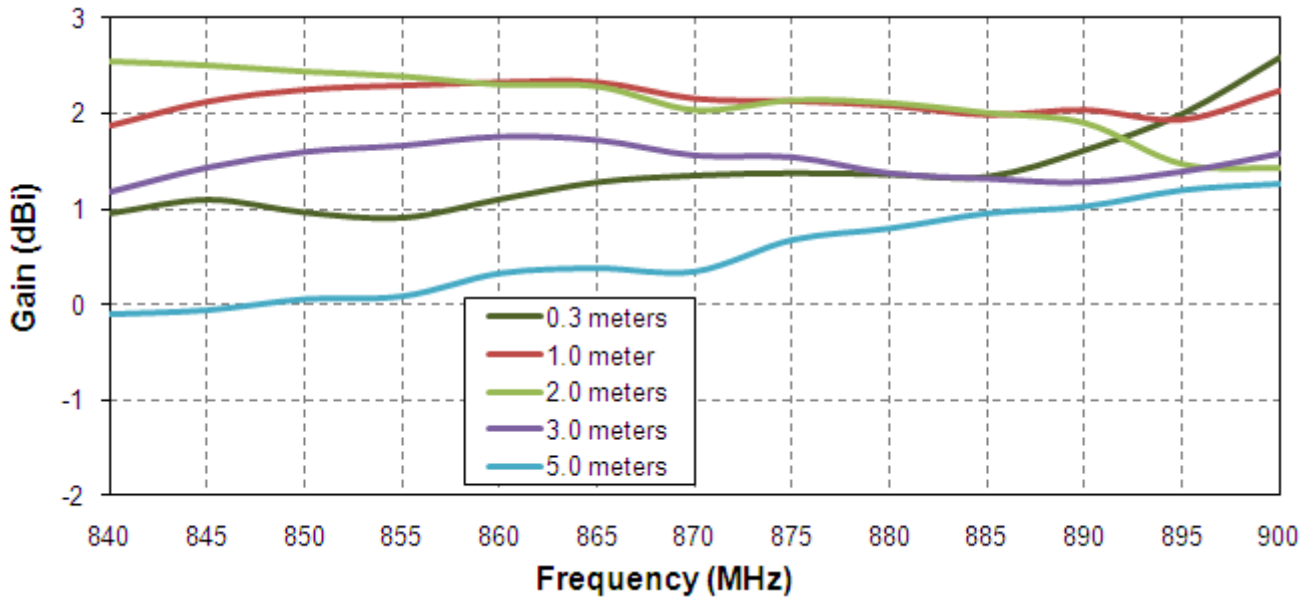


Figure 10. Gain of the 868MHz Hercules ISM antenna on 60x60 cm metal plate.

4.4. Radiation Pattern

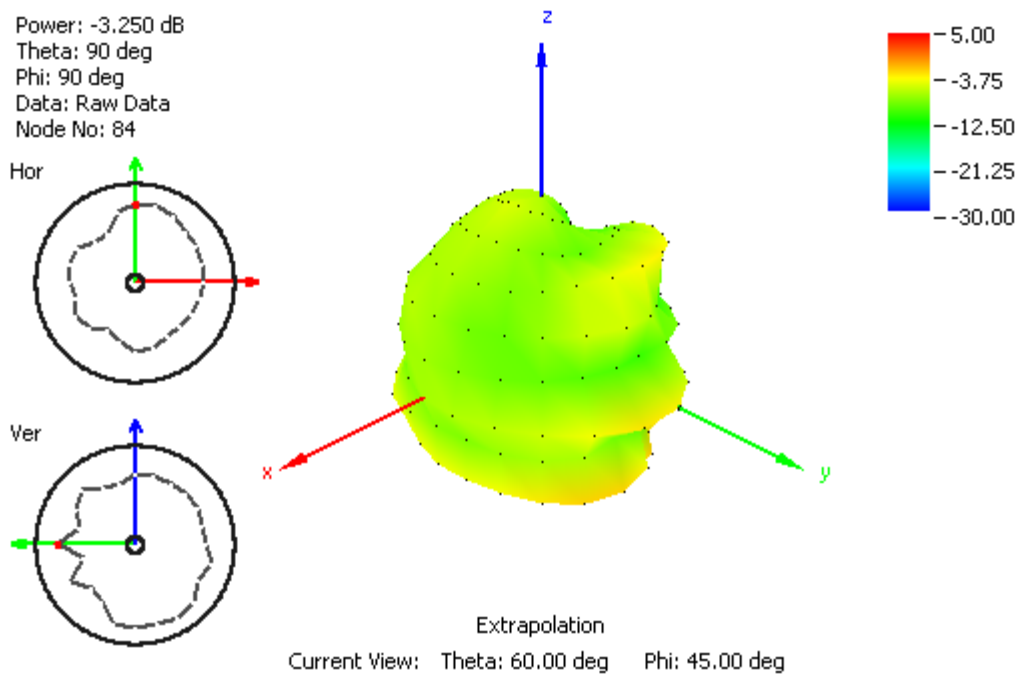


Figure 11. Radiation pattern at 865 MHz, Figure 1 as reference (dB), with 2m RG174 cable and free space.

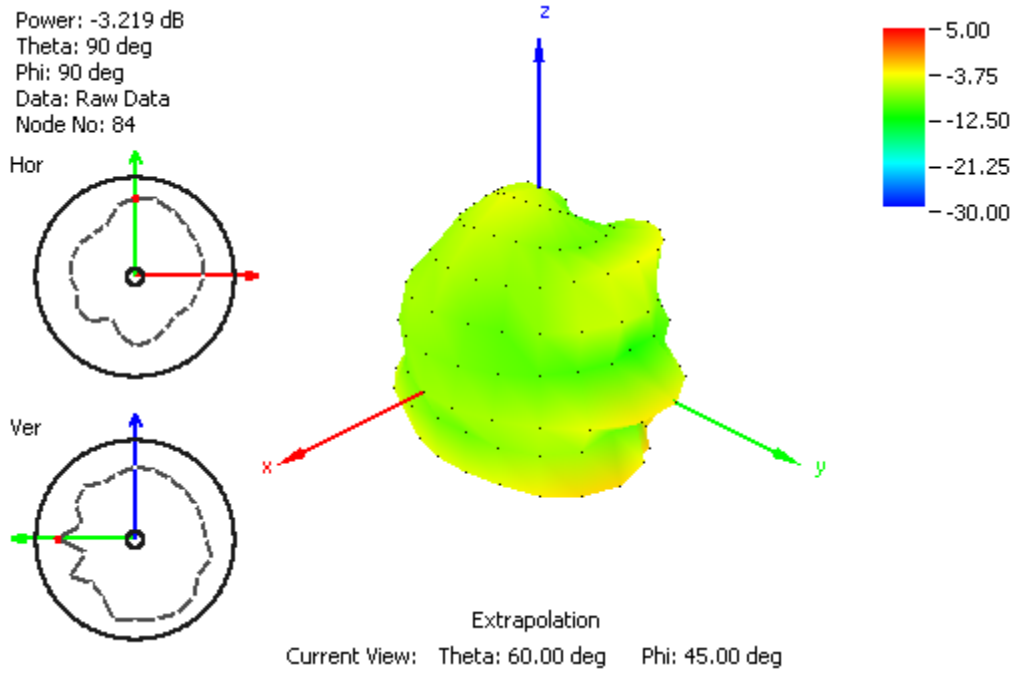


Figure 12. Radiation pattern at 868 MHz, Figure 1 as reference (dB), with 2m RG174 cable and free space.

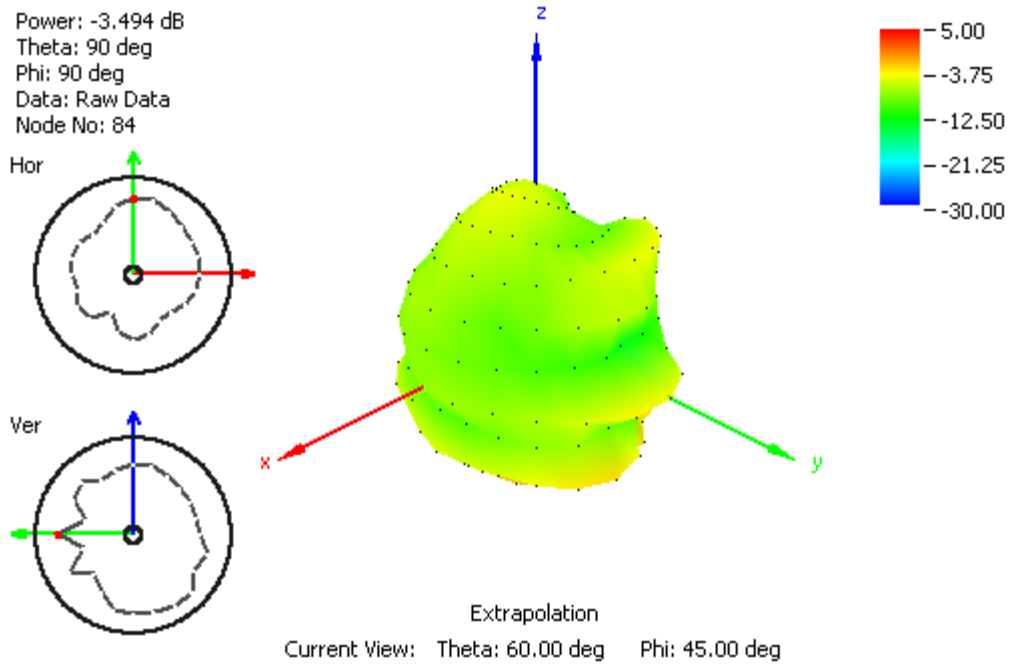


Figure 13. Radiation pattern at 870 MHz, Figure 1 as reference (dB), with 2m RG174 cable free space.

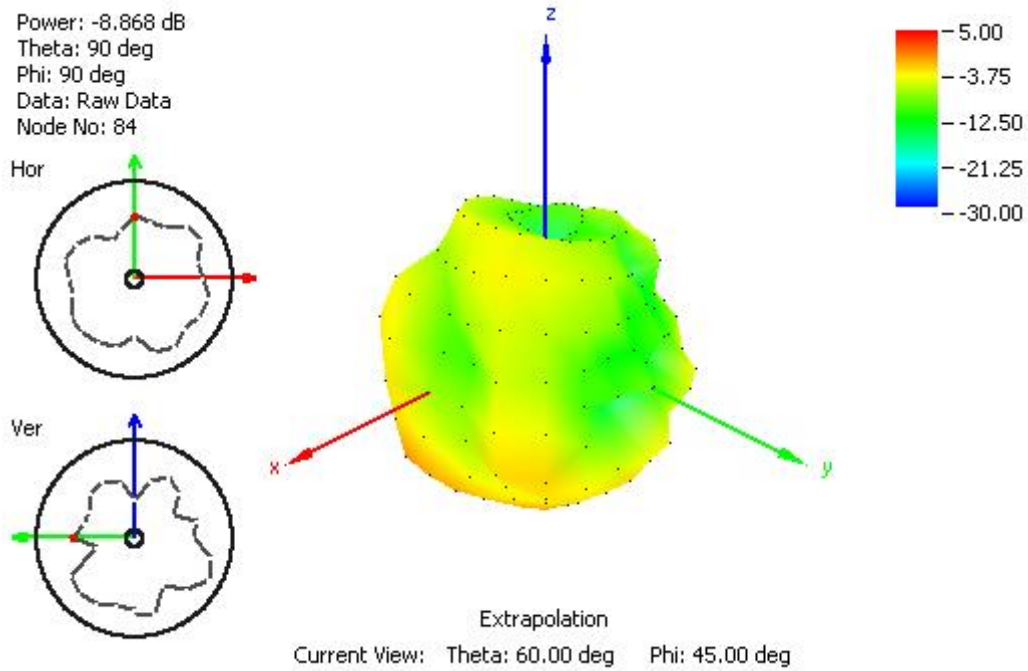


Figure 14. Radiation pattern at 865 MHz,
 Figure 1 as reference (dB), with 2m RG174 cable and 30x30 cm metal plate.

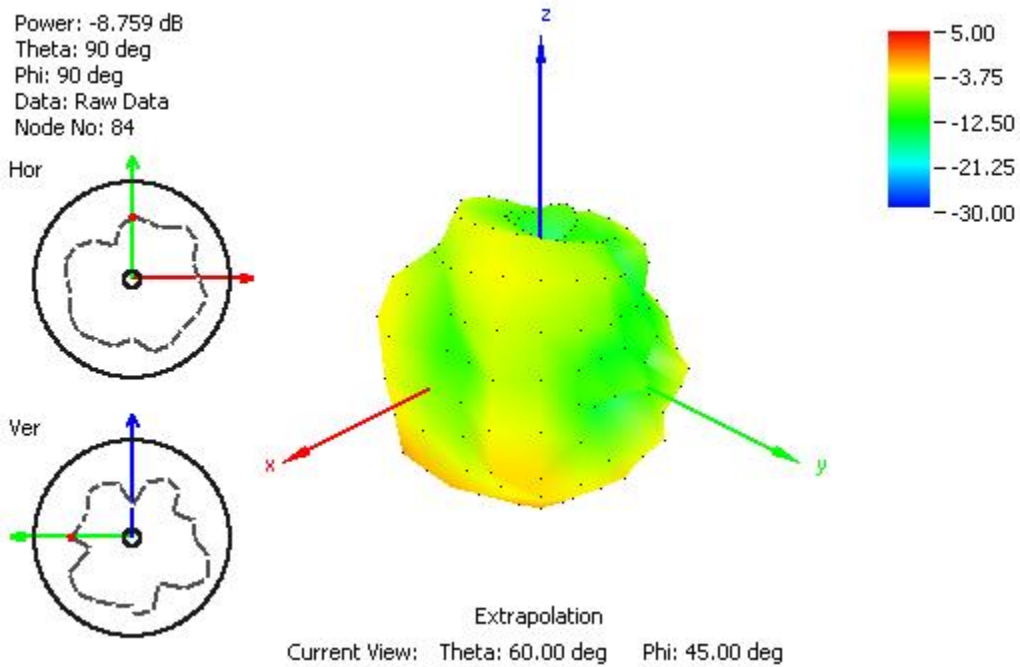


Figure 15. Radiation pattern at 868 MHz,
 Figure 1 as reference (dB), with 2m RG174 cable and 30x30 cm metal plate.

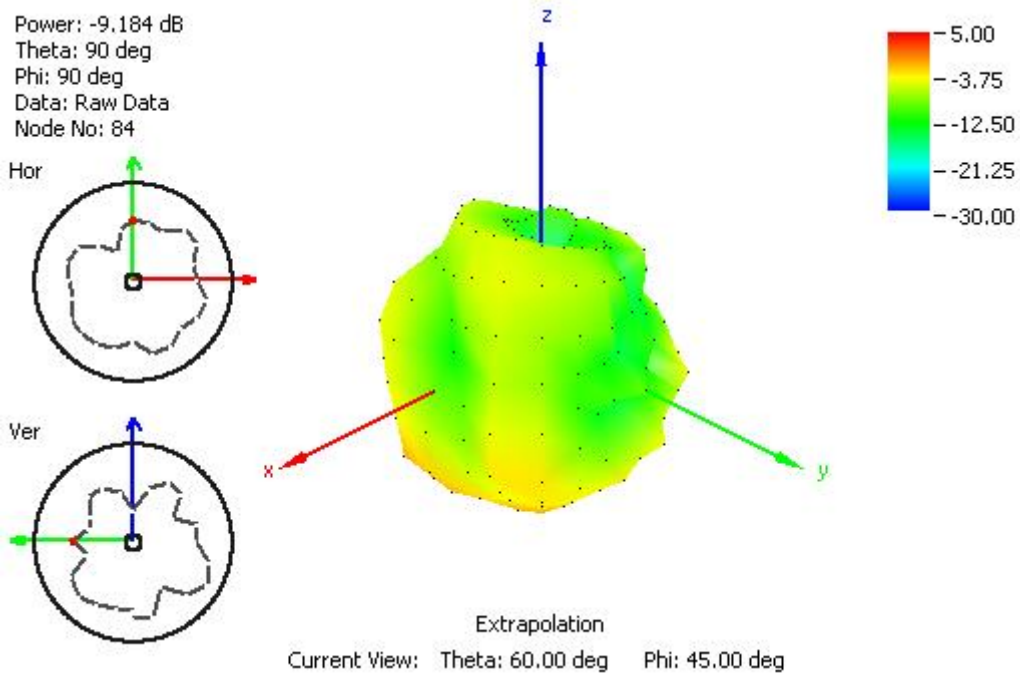


Figure 16. Radiation pattern at 870 MHz, Figure 1 as reference (dB), with 2m RG174 cable 30x30 cm metal plate.

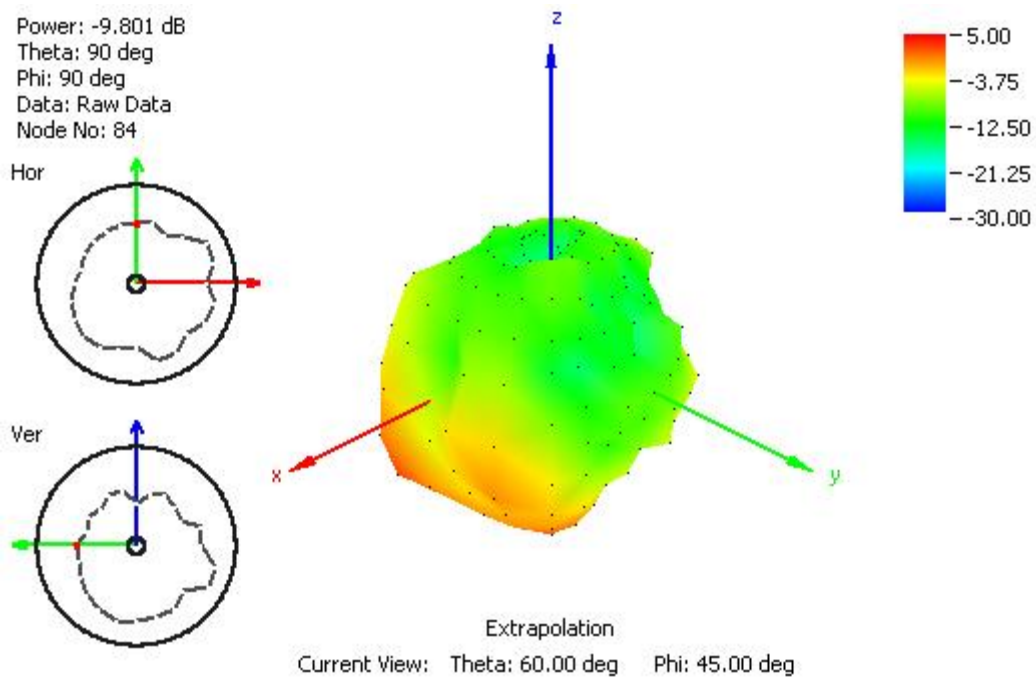


Figure 17. Radiation pattern at 865 MHz, Figure 1 as reference (dB), with 2m RG174 cable and 60x60 cm metal plate.

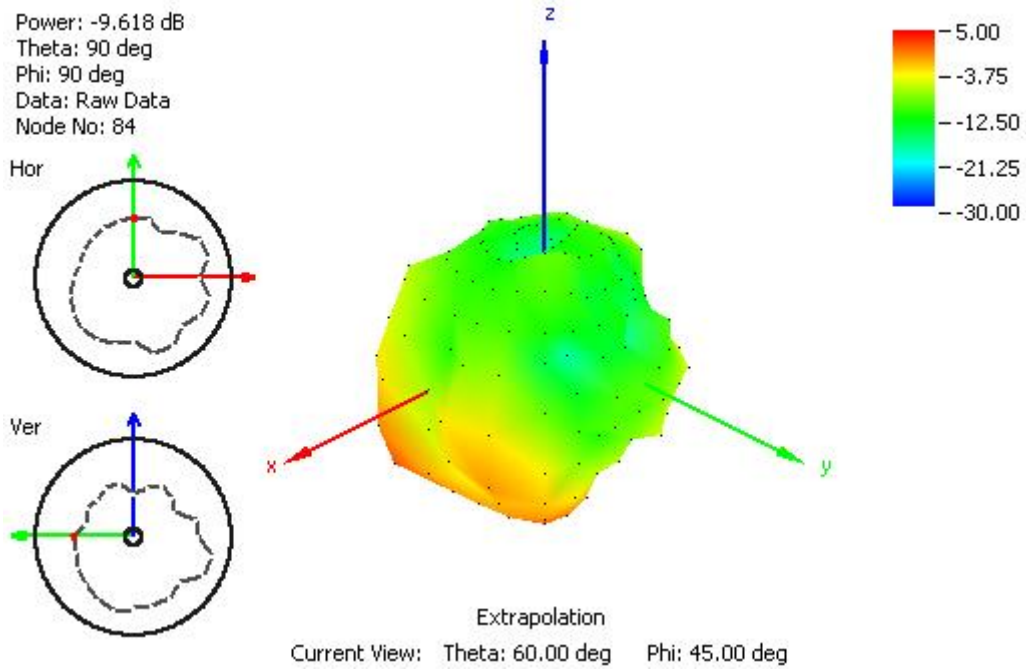


Figure 18. Radiation pattern at 868 MHz, Figure 1 as reference (dB), with 2m RG174 cable and 60x60 cm metal plate.

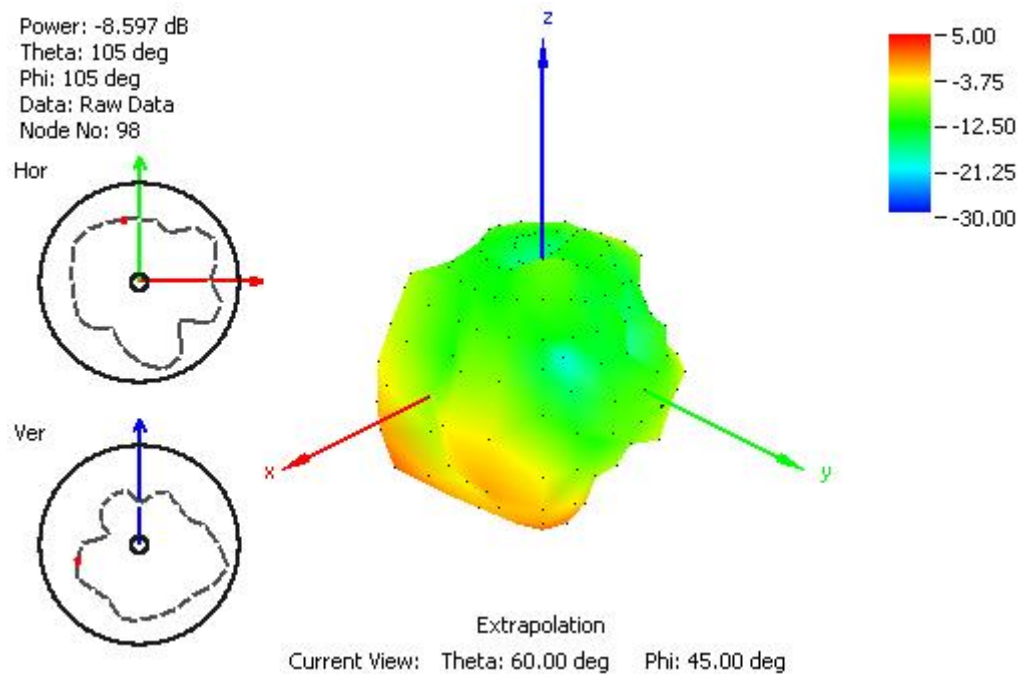
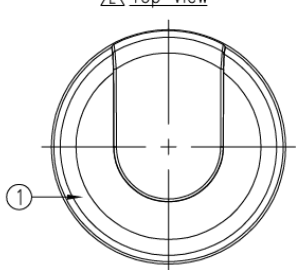


Figure 19. Radiation pattern at 870 MHz, Figure 1 as reference (dB), with 2m RG174 cable 60x60 cm metal plate.

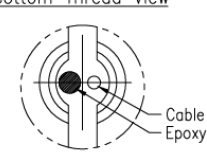
5. MECHANICAL DRAWINGS

6	5	4	3	2	1		
ISO NO: EDW-11-8-188							
<Release>		REV	ZONE	DESCRIPTION	ENG	APPROVED	ISSUED DATE
		△	ALL	Initial Design	Jason	Joanna	2011/06/16
		△	ALL	Amend Drawing	Kiwi	Joanna	2011/08/09
		△	ALL	Modify The Antenna Appearance	Sandy	Joanna	2012/03/20
		△	ALL	Modify The Antenna Appearance	Ophelia	Joanna	2014/06/25
		△	ALL	Change Label to Print Heat Shrink Tube, Modify Tolerances and BOM. (EDR-18-8-009)	Rachel	Haley	2018/07/27

△ Top View



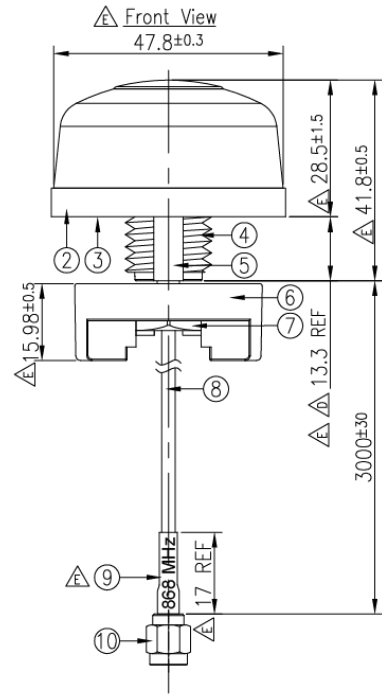
△ Bottom Thread View



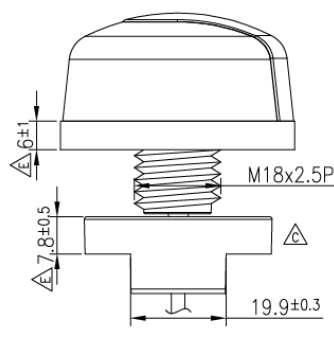
Cable Epoxy

△ Front View

47.8±0.3




Side View



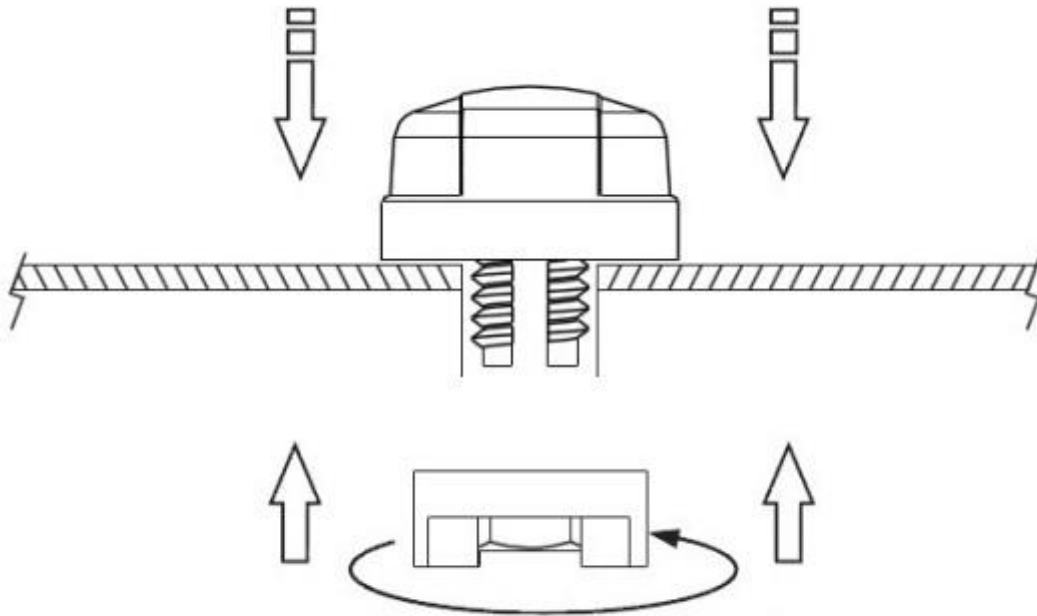
M18x2.5P

Name	P/N	Material	Finish	QTY
1 Housing	000113F010008A	PC	Black	1
2 Closed Cell Foam	001012G010039A	CR 4305	Black	1
3 3M Double Adhesive	001012G010039A	3M 9448HK	White Liner	1
4 Metal Base	000311F010069A	Zinc Alloy	Ni Plated	1
5 Rubber Stopper	000711F040064A	Silicone Rubber	Black	1
6 Outer Nut Cover	000111F020008A	ASA	Black	1
7 M18 Inner Nut Cut	000413F010061A	Steel Carbon	Zn Plated	1
8 RG174 Coaxial Cable	301315C000000A	PVC	Black	1
9 Heat Shrink Tube (868 MHz)	001318E030000A	PE	Yellow Tube/Black Text	1
10 SMA (M) ST	200212G000013A	Brass	Au Plated	1

UNLESS OTHERWISE SPECIFIED TOLERANCES ON:		DATE: 2018/07/27	MAT'L:	 <small>TW Design Centre This drawing and its inherent design concepts are property of Taoglas. Not to be copied or given to third parties without the written consent of Taoglas.</small>	REV
.X ± 0.2	.XX ± 0.1	UNIT: mm	FINISH:		E
XX ± 0.5	.XX ± 0.1	THIRD ANGLE PROJECTION	SCALE: 1/1.25		
X ± 0.3	.XXX ± 0.05	APPROVED BY: Joanna	CUSTOMERS SIGNATURE / DATE		
CHECKED BY: Joanna		DRAWN BY: Jason			

TITLE. : IS.04 Hercules 868MHz Antenna	
3M RG174 SMA(M)	
PART NO. : IS.04.B.301111	

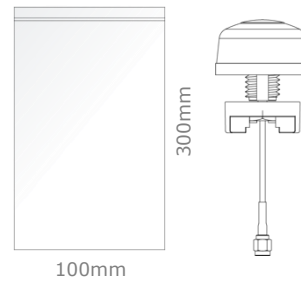
6. INSTALLATION



Recommended torque for Mounting is 24.5N·m
Maximum torque for mounting is 29.4N·m

7. PACKAGING

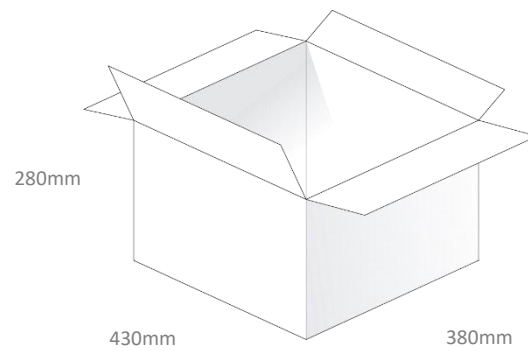
1pc IS.04.B.301111 per Small PE Bag
Dimensions: 100*300mm
Weight: 158g



10pcs per Large PE Bag
Dimensions: 360*520mm
Weight: 1.58Kg



60pcs IS.04.B.301111 per Carton
Carton Dimensions: 430*380*280mm
Weight: 9.5Kg



Taoglas makes no warranties based on the accuracy or completeness of the contents of this document and reserves the right to make changes to specifications and product descriptions at any time without notice. Taoglas reserves all rights to this document and the information contained herein.

Reproduction, use or disclosure to third parties without express permission is strictly prohibited.

© Taoglas