
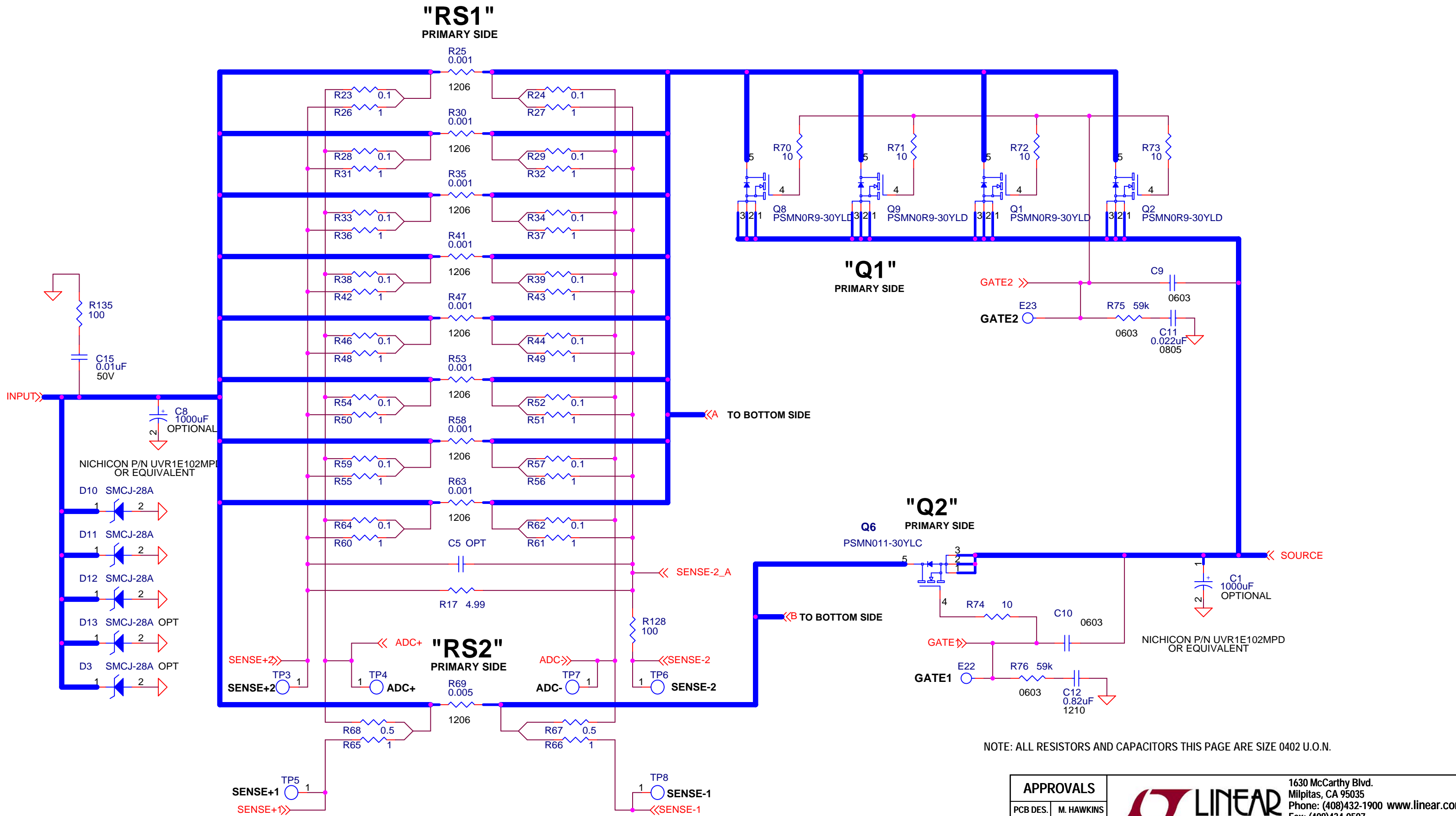


UNLESS OTHERWISE NOTED:
 1. ALL RESISTORS THIS PAGE ARE 1% 0603.
 2. ALL CAPACITORS THIS PAGE ARE 0603.

CUSTOMER NOTICE		APPROVALS		 1630 McCarthy Blvd. Milpitas, CA 95035 Phone: (408)432-1900 www.linear.com Fax: (408)434-0507 LTC Confidential-For Customer Use Only
LINEAR TECHNOLOGY HAS MADE A BEST EFFORT TO DESIGN A CIRCUIT THAT MEETS CUSTOMER-SUPPLIED SPECIFICATIONS; HOWEVER, IT REMAINS THE CUSTOMER'S RESPONSIBILITY TO VERIFY PROPER AND RELIABLE OPERATION IN THE ACTUAL APPLICATION. COMPONENT SUBSTITUTION AND PRINTED CIRCUIT BOARD LAYOUT MAY SIGNIFICANTLY AFFECT CIRCUIT PERFORMANCE OR RELIABILITY. CONTACT LINEAR TECHNOLOGY APPLICATIONS ENGINEERING FOR ASSISTANCE.		PCB DES.	M.HAWKINS	
		APP ENG.	SAL AFZAL	
		IC NO.	LTC4282-UH	PCA BOM: 700-DC2442A_REV04 PCA ASS'Y: 705-DC2442A_REV02
		SKU NO.	DC2442A	
THIS CIRCUIT IS PROPRIETARY TO LINEAR TECHNOLOGY AND SUPPLIED FOR USE WITH LINEAR TECHNOLOGY PARTS.		SIZE: N/A	SCALE: NONE	DATE: Thursday, December 08, 2016
				SHEET 1 OF 4

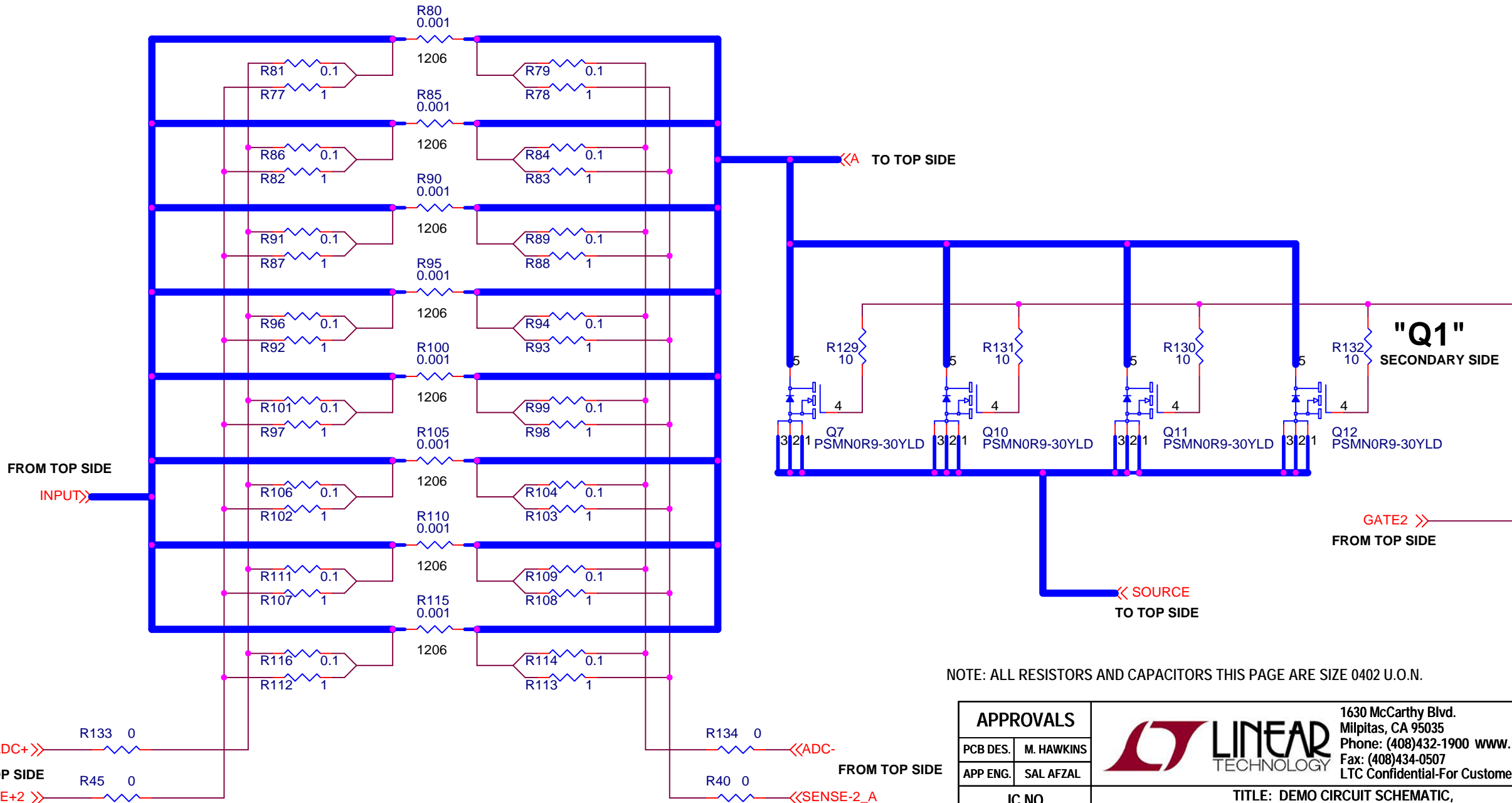


NOTE: ALL RESISTORS AND CAPACITORS THIS PAGE ARE SIZE 0402 U.O.N.


— =HIGH CURRENT CONNECTIONS

APPROVALS			1630 McCarthy Blvd. Milpitas, CA 95035 Phone: (408)432-1900 www.linear.com Fax: (408)434-0507 LTC Confidential-For Customer Use Only	
PCB DES.	M. HAWKINS		TITLE: DEMO CIRCUIT SCHEMATIC, LOW STRESS STAGED START 200A HOT SWAP CONTROLLER	
APP ENG.	SAL AFZAL		IC NO. LTC4282-UH	
SKU NO. DC2442A		PCA BOM: 700-DC2442A_REV04 PCA ASS'Y: 705-DC2442A_REV02	SCHEMATIC NO. AND REVISION: 710-DC2442A_REV03	
SIZE: 17x11	SCALE = NONE	DATE: Thursday, December 08, 2016		SHEET 2 OF 4

"RS1" SECONDARY SIDE




NOTE: ALL RESISTORS AND CAPACITORS THIS PAGE ARE SIZE 0402 U.O.N.

APPROVALS		 1630 McCarthy Blvd. Milpitas, CA 95035 Phone: (408)432-1900 www.linear.com Fax: (408)434-0507 LTC Confidential-For Customer Use Only	
PCB DES.	M. HAWKINS		
APP ENG.	SAL AFZAL	TITLE: DEMO CIRCUIT SCHEMATIC, LOW STRESS STAGED START 200A HOT SWAP CONTROLLER	
IC NO. LTC4282-UH			
SKU NO. DC2442A		PCA BOM: 700-DC2442A_REV04 PCA ASS'Y: 705-DC2442A_REV02	SCHEMATIC NO. AND REVISION: 710-DC2442A_REV03
SIZE: 8.5X14	SCALE = NONE	DATE: Thursday, December 08, 2016	
			SHEET 3 OF 4

PCA ADDITIONAL PARTS

MP1	BUMPER, RECESSED,#4 SCREW,BLACK	MP21	BOLT, HEX TAP,5/16-24X1-1/4,SS
MP2	BUMPER, RECESSED,#4 SCREW,BLACK	MP22	BOLT, HEX TAP,5/16-24X1-1/4,SS
MP3	BUMPER, RECESSED,#4 SCREW,BLACK	MP23	BOLT, HEX TAP,5/16-24X1-1/4,SS
MP4	BUMPER, RECESSED,#4 SCREW,BLACK	MP24	BOLT, HEX TAP,5/16-24X1-1/4,SS
MP5	WASHER,FLAT,#4,SS 18-8	MP25	WASHER, FLAT,5/16,0.344ID, 0.688OD/0.065THK,SS
MP6	WASHER,FLAT,#4,SS 18-8	MP26	WASHER, FLAT,5/16,0.344ID, 0.688OD/0.065THK,SS
MP7	WASHER,FLAT,#4,SS 18-8	MP27	WASHER, FLAT,5/16,0.344ID, 0.688OD/0.065THK,SS
MP8	WASHER,FLAT,#4,SS 18-8	MP28	WASHER, FLAT,5/16,0.344ID, 0.688OD/0.065THK,SS
MP9	SCREW, MACHINE,#4-40 X 1/2,PHILLIPS PH,SS	MP29	WASHER, FLAT,5/16,0.344ID, 0.688OD/0.065THK,SS
MP10	SCREW, MACHINE,#4-40 X 1/2,PHILLIPS PH,SS	MP30	WASHER, FLAT,5/16,0.344ID, 0.688OD/0.065THK,SS
MP11	SCREW, MACHINE,#4-40 X 1/2,PHILLIPS PH,SS	MP31	WASHER, FLAT,5/16,0.344ID, 0.688OD/0.065THK,SS
MP12	SCREW, MACHINE,#4-40 X 1/2,PHILLIPS PH,SS	MP32	WASHER, FLAT,5/16,0.344ID, 0.688OD/0.065THK,SS
MP13	WASHER, LOCK,INT. TOOTH,#4,SS	MP33	WASHER, INT. TOOTH LOCK,5/16, 0.326ID/0.602OD/0.031THK,SS
MP14	WASHER, LOCK,INT. TOOTH,#4,SS	MP34	WASHER, INT. TOOTH LOCK,5/16, 0.326ID/0.602OD/0.031THK,SS
MP15	WASHER, LOCK,INT. TOOTH,#4,SS	MP35	WASHER, INT. TOOTH LOCK,5/16, 0.326ID/0.602OD/0.031THK,SS
MP16	WASHER, LOCK,INT. TOOTH,#4,SS	MP36	WASHER, INT. TOOTH LOCK,5/16, 0.326ID/0.602OD/0.031THK,SS
MP17	NUT, HEX,#4-40,SS 18-8	MP37	NUT, HEX,5/16-24,FIN-NU-SS
MP18	NUT, HEX,#4-40,SS 18-8	MP38	NUT, HEX,5/16-24,FIN-NU-SS
MP19	NUT, HEX,#4-40,SS 18-8	MP39	NUT, HEX,5/16-24,FIN-NU-SS
MP20	NUT, HEX,#4-40,SS 18-8	MP40	NUT, HEX,5/16-24,FIN-NU-SS
PCB1	PCB, DC2442A REV02	LB1	LABEL SPEC, DEMO BOARD SERIAL NUMBER

APPROVALS			1630 McCarthy Blvd. Milpitas, CA 95035 Phone: (408)432-1900 www.linear.com Fax: (408)434-0507 LTC Confidential-For Customer Use Only		
PCB DES.	M. HAWKINS		TITLE: DEMO CIRCUIT SCHEMATIC, LOW STRESS STAGED START 200A HOT SWAP CONTROLLER		
APP ENG.	SAL AFZAL				
IC NO. LTC4282-UH		SKU NO. DC2442A		PCA BOM: 700-DC2442A_REV04 PCA ASS'Y: 705-DC2442A_REV02	SCHEMATIC NO. AND REVISION: 710-DC2442A_REV03
SIZE: 8.5X11	SCALE = NONE	DATE: Thursday, December 08, 2016		SHEET 4 OF 4	