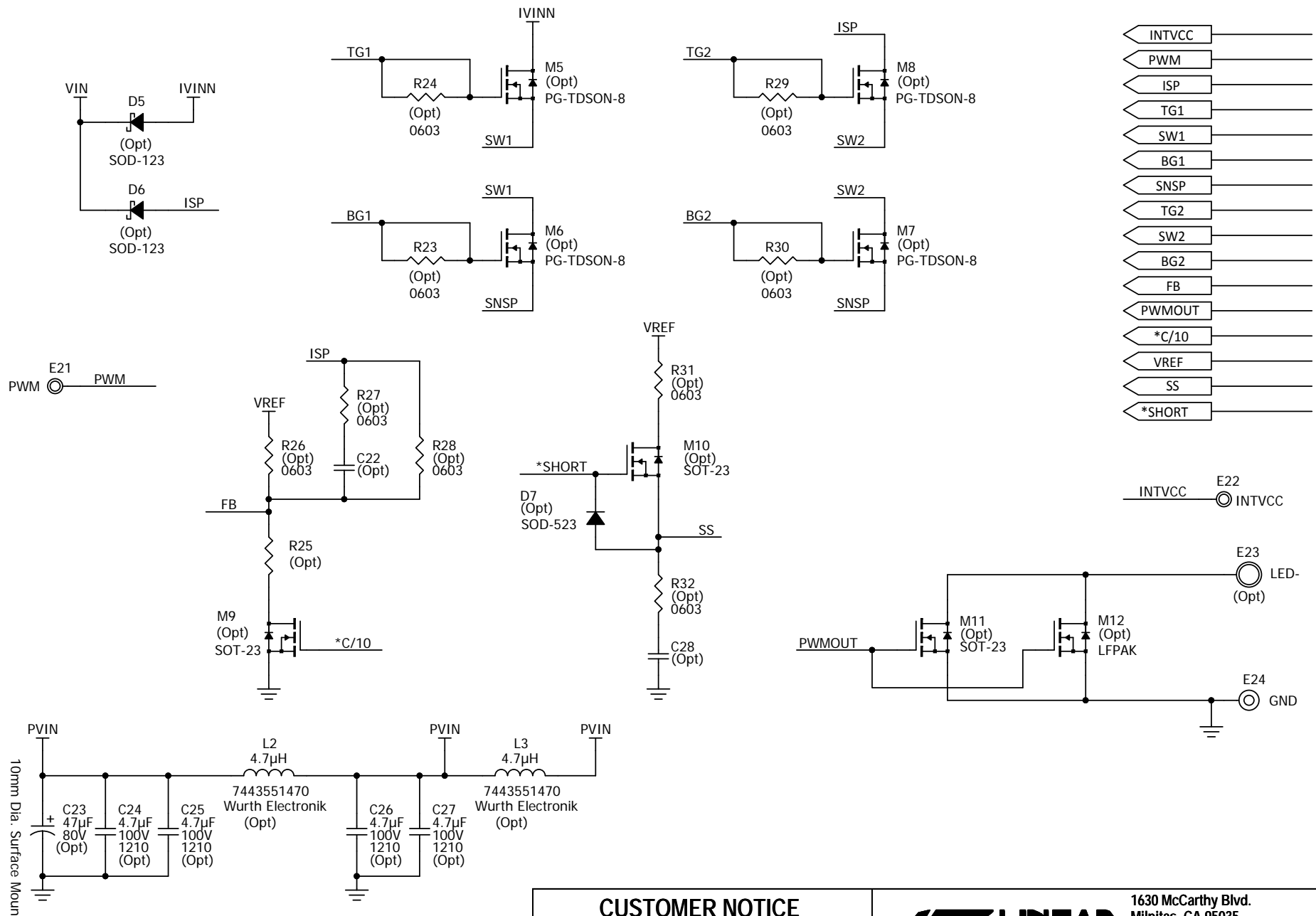


NOTE: UNLESS OTHERWISE SPECIFIED.  
 ALL CAPACITORS 0603.  
 ALL RESISTORS 0402 1%.

<b>CUSTOMER NOTICE</b>		<b>LINEAR TECHNOLOGY</b>		1630 McCarthy Blvd. Milpitas, CA 95035 Phone: (408)432-1900 www.linear.com Fax: (408)434-0507 LTC Confidential-For Customer Use Only
TITLE: SCHEMATIC				
<b>60VIN, 60VOUT FOUR-SWITCH        SYNCHRONOUS BUCK-BOOST CONTROLLER</b>				
SIZE N/A	IC NO. LT3790EFE DC2123B	REV. 1		DATE: Wednesday, December 14, 2016
THIS CIRCUIT IS PROPRIETARY TO LINEAR TECHNOLOGY AND SUPPLIED FOR USE WITH LINEAR TECHNOLOGY PARTS.			SHEET 1	OF 2



- INTVCC
- PWM
- ISP
- TG1
- SW1
- BG1
- SNSP
- TG2
- SW2
- BG2
- FB
- PWMOUT
- \*C/10
- VREF
- SS
- \*SHORT

### CUSTOMER NOTICE

LINEAR TECHNOLOGY HAS MADE A BEST EFFORT TO DESIGN A CIRCUIT THAT MEETS CUSTOMER-SUPPLIED SPECIFICATIONS; HOWEVER, IT REMAINS THE CUSTOMER'S RESPONSIBILITY TO VERIFY PROPER AND RELIABLE OPERATION IN THE ACTUAL APPLICATION. COMPONENT SUBSTITUTION AND PRINTED CIRCUIT BOARD LAYOUT MAY SIGNIFICANTLY AFFECT CIRCUIT PERFORMANCE OR RELIABILITY. CONTACT LINEAR TECHNOLOGY APPLICATIONS ENGINEERING FOR ASSISTANCE.

THIS CIRCUIT IS PROPRIETARY TO LINEAR TECHNOLOGY AND SUPPLIED FOR USE WITH LINEAR TECHNOLOGY PARTS.



**LINEAR TECHNOLOGY**

1630 McCarthy Blvd.  
Milpitas, CA 95035  
Phone: (408)432-1900 www.linear.com  
Fax: (408)434-0507  
LTC Confidential-For Customer Use Only

TITLE: SCHEMATIC		
<b>60VIN, 60VOUT FOUR-SWITCH SYNCHRONOUS BUCK-BOOST CONTROLLER</b>		
SIZE N/A	IC NO. <b>LT3790EFE DC2123B</b>	REV. <b>1</b>
DATE: Wednesday, December 14, 2016		SHEET 2 OF 2