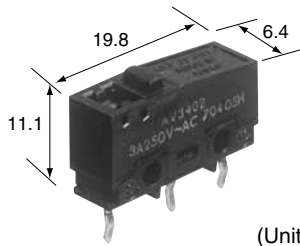




### Subminiature Size Door Inter-lock Switches

### AV3 (FS) SWITCHES CONTACT GAP 1 mm TYPE



(Unit: mm)

RoHS compliant

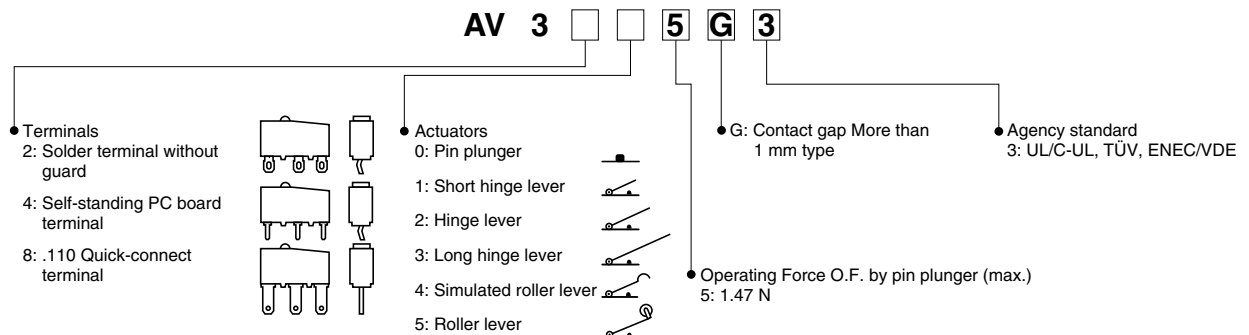
### FEATURES

- Complies with IEC60950-1 secondary circuit insulation distance standards
- Subminiature size door interlock switches
- Excellent operating position accuracy
- Protection grade: IP40

### TYPICAL APPLICATIONS

- Office equipment (printers, copiers, etc.)

## ORDERING INFORMATION

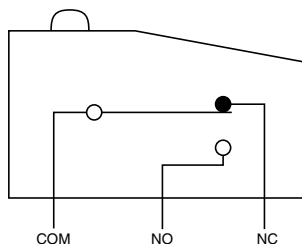


## PRODUCT TYPES

### ■ Ag alloy contact type

Actuator	Operating Force OP Max.	Part number		
		Solder terminal	Self-standing PC board terminal	.110 Quick- connect terminal
Pin plunger	1.47 N	AV3205G3	AV3405G3	AV3805G3
Short hinge lever	0.59 N	AV3215G3	AV3415G3	AV3815G3
Hinge lever	0.54 N	AV3225G3	AV3425G3	AV3825G3
Long hinge lever	0.44 N	AV3235G3	AV3435G3	AV3835G3
Simulated roller lever	1.54 N	AV3245G3	AV3445G3	AV3845G3
Roller lever	1.59 N	AV3255G3	AV3455G3	AV3855G3

## CONTACT FORM



# AV3 (FS) Subminiature Switches Contact Gap 1 mm Type

## SPECIFICATIONS

### ■ Contact rating

AgNi alloy contact type

Contact voltage	Resistive road (cos $\phi$ = 1)
30 V DC	3 A

### ■ Characteristics

Item		Specifications	Test conditions
Expected life	Mechanical (OT: Specified value)	Min. $5 \times 10^5$	at 60cpm
	Electrical (OT max.)	Min. $10^4$	at 20cpm
Dielectric strength	Between non-continuous terminals	1,000 Vrms for 1 min.	at detection current of 10mA
	Between each terminal and other exposed metal parts	2,000 Vrms for 1 min.	at detection current of 10mA
	Between each terminal and ground	2,000 Vrms for 1 min.	at detection current of 10mA
Insulation resistance		Min. 100M $\Omega$	at 500 V DC
Contact resistance (Initial)		Max. 50m $\Omega$	by voltage drop 6 to 8 V DC 1A
Vibration resistance (malfunction vibration resistance)		10 to 55 Hz at single amplitude of 0.75 mm	Contact opening: Max. 1 msec.
Shock resistance (malfunction shock resistance)		294m/s <sup>2</sup> (Pin plunger type) 147m/s <sup>2</sup> (Lever type)	Contact opening: Max. 1 msec.
Allowable operation speed (No load)		0.1 to 1,000 mm/s	
Max. switching frequency (No load)		300 cpm.	
Ambient temperature		-25°C to +85°C	no freezing and condensing
Unit weight		Approx. 2 g	
Contact specifications	Contact material	AgNi alloy	
Protection grade		IP40	

Note: Test conditions are in accordance with NECA C4505.

### ■ Operating characteristics

Actuator	Operating Force OF, Max.	Release Force RF, Min.	Pretravel PT, Max.	Movement Differential MD, Max.	Overtravel OT, Min.	Operating Position OP
Pin plunger	1.47 N	0.064 N	0.7mm	0.2mm	0.3mm	8.4±0.3mm
Short hinge lever	0.59 N	0.015 N	2.5mm	0.8mm	0.6mm	8.8±0.8mm
Hinge lever	0.54 N	0.013 N	2.8mm	1.0mm	0.8mm	8.8±0.8mm
Long hinge lever	0.44 N	0.0098 N	3.5mm	1.2mm	1.2mm	8.8±1.2mm
Simulated roller lever	0.54 N	0.013 N	2.8mm	1.0mm	0.8mm	11.65±0.8mm
Roller lever	0.59 N	0.015 N	2.5mm	0.8mm	0.6mm	14.5±0.8mm