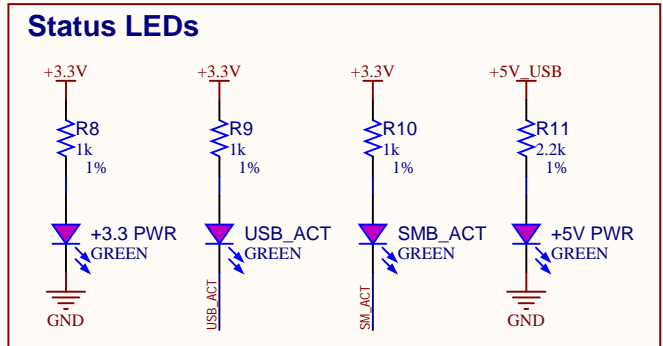
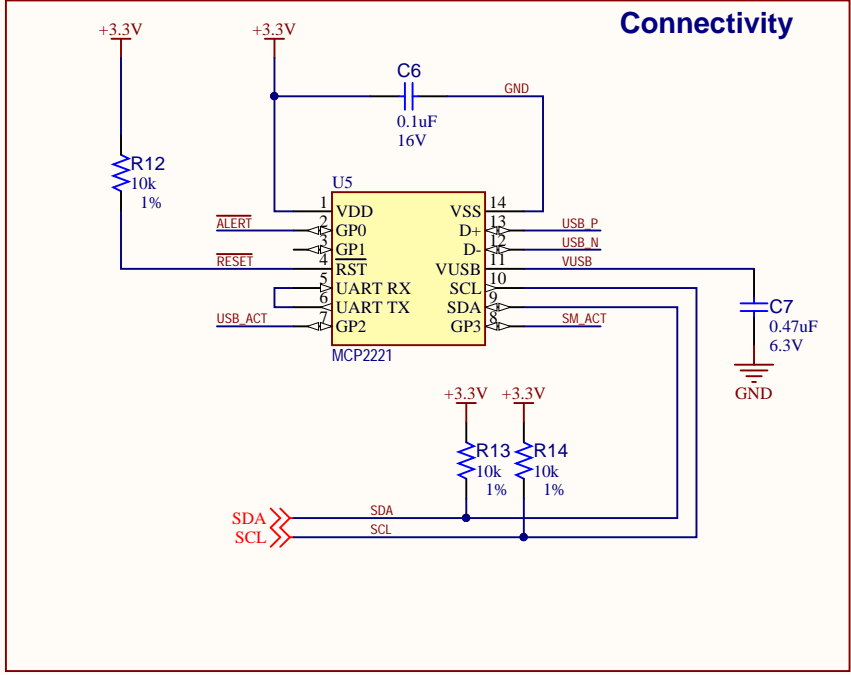
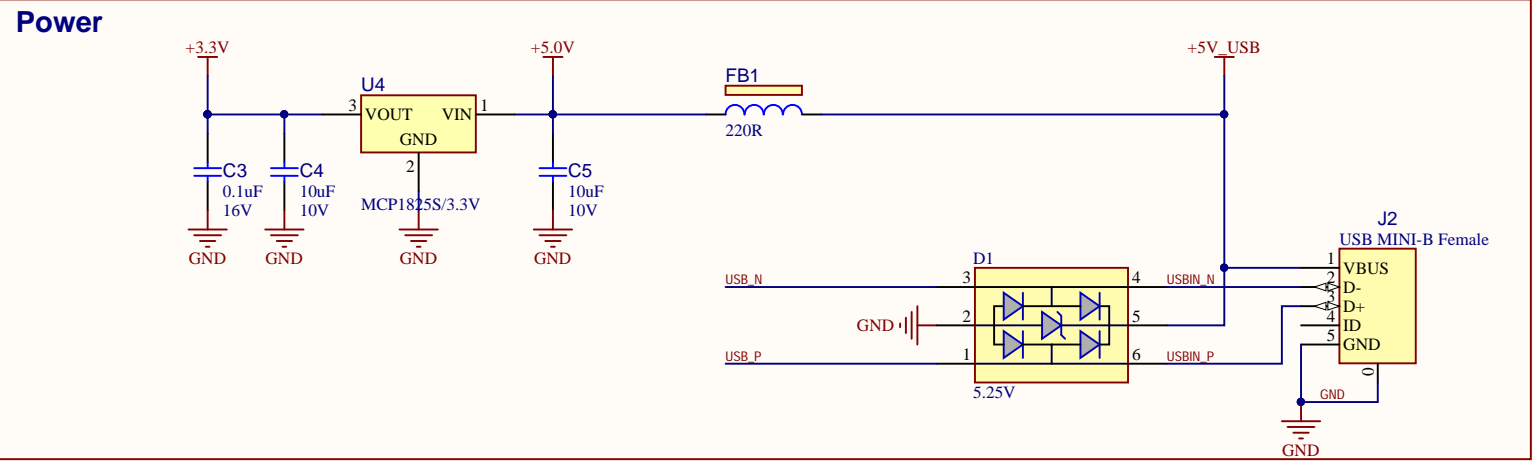


Drawn By: J. Austin			
Engineer: J. Austin			
PartNumber: ADM00768	Project Title <b>MCP9904 Evaluation Board.</b>		
Sheet Title MCP9904 Sensor and Diodes			
Size B	Sch #03-10565	Date: 7/29/2016 2:55:33 PM	 Altium.com
Revision: 1		Sheet 1 of 2	
File: MCP9904 Sensor and Diodes.SchDoc			



USB-A Male to Mini USB-B Male

Drawn By: J. Austin		
Engineer: J. Austin		
PartNumber: ADM00768	Project Title <b>MCP9904 Evaluation Board.</b>	
Sheet Title MCP2221 USB Bridge		
Size B	Sch #03-10565 Revision:1	Date: 7/29/2016 2:55:33 PM Sheet 2 of 2
File: MCP2221 USB Bridge.SchDoc		
Designed with 		Altium.com