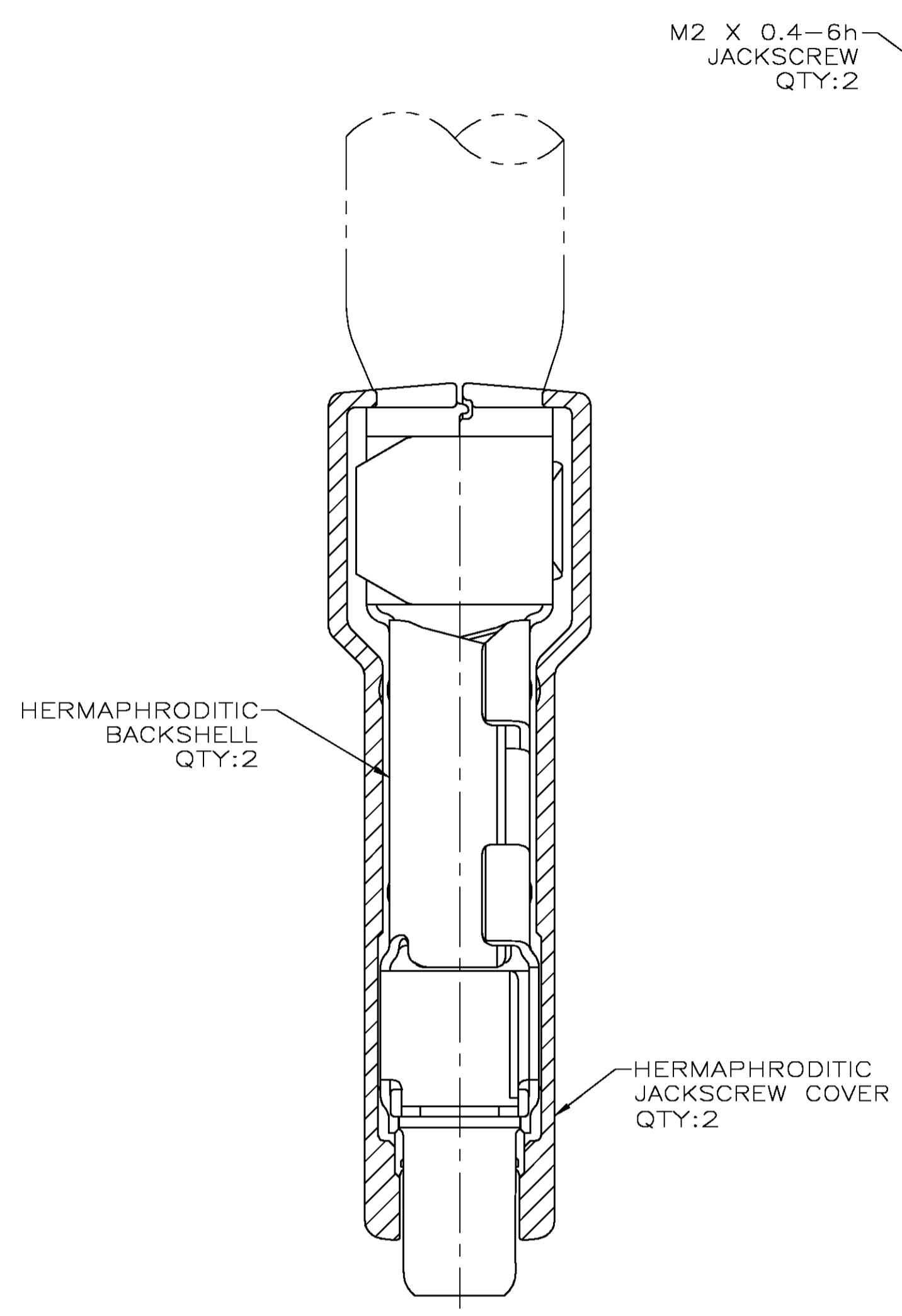
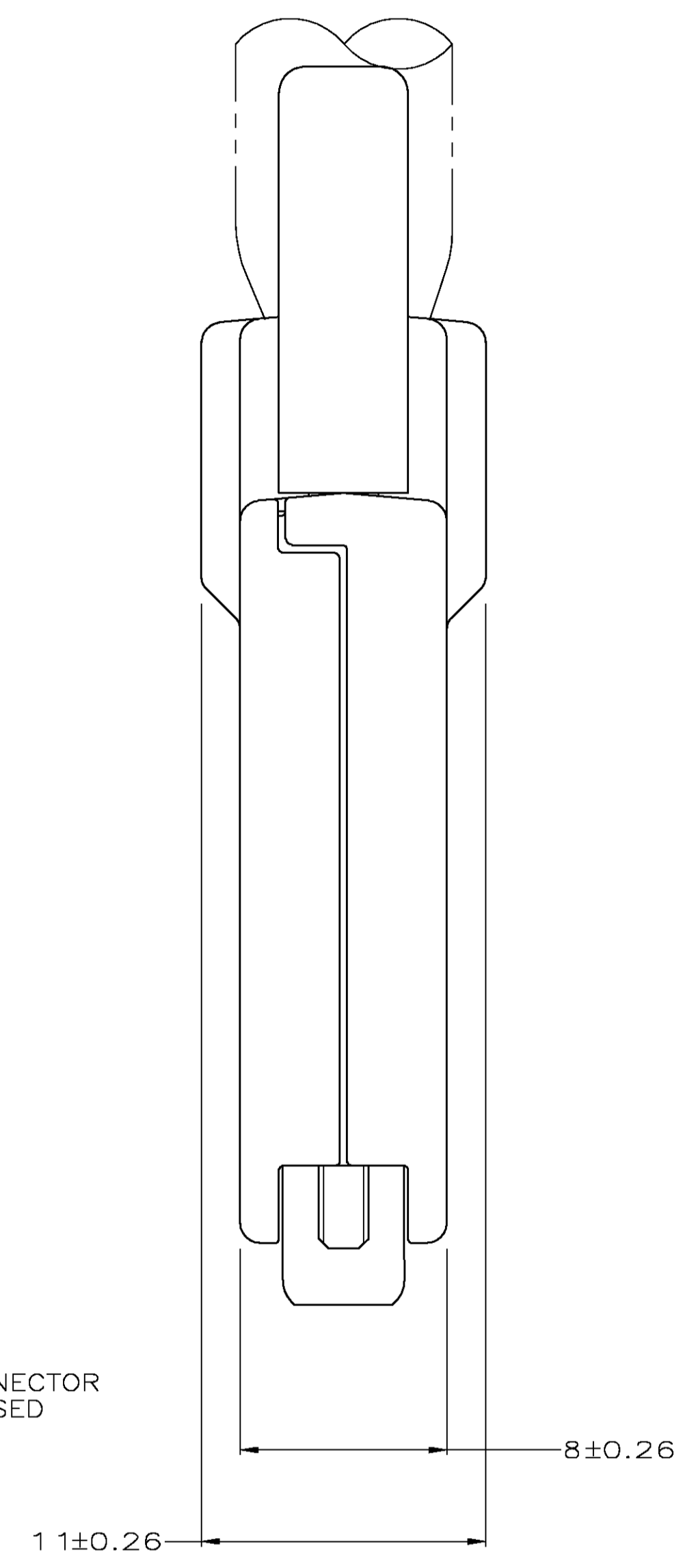
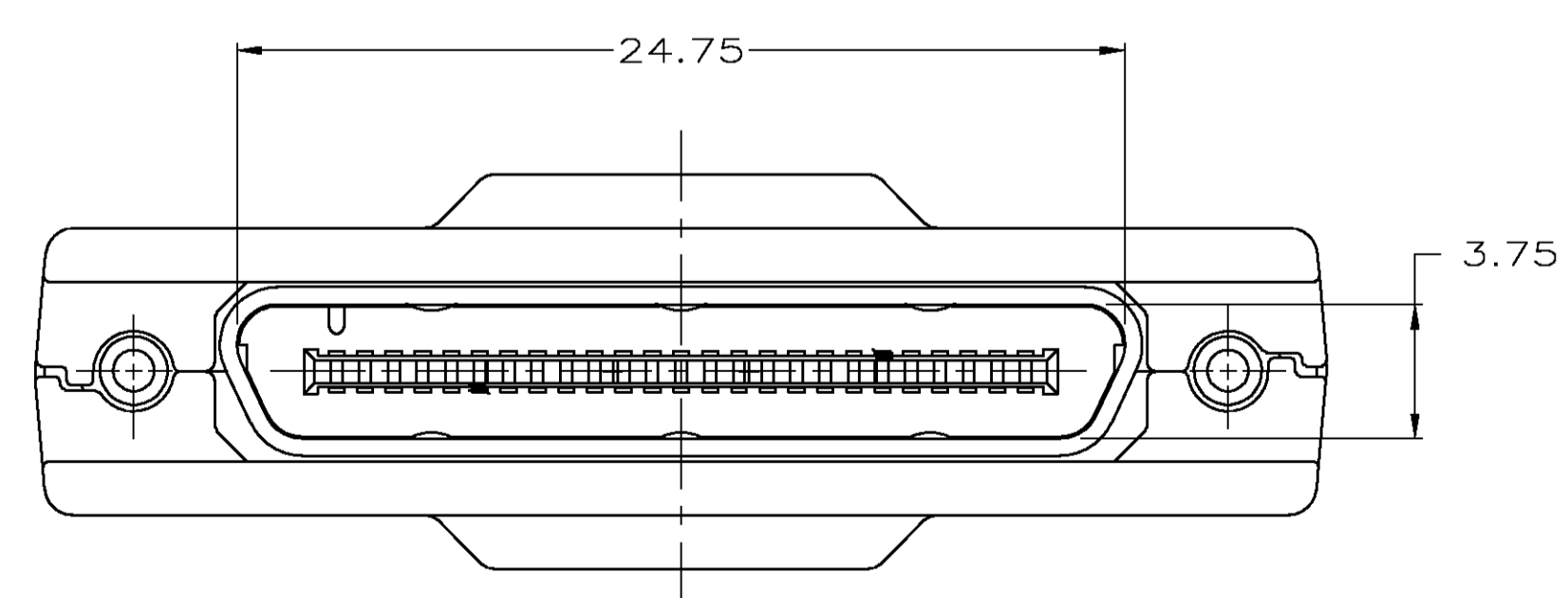
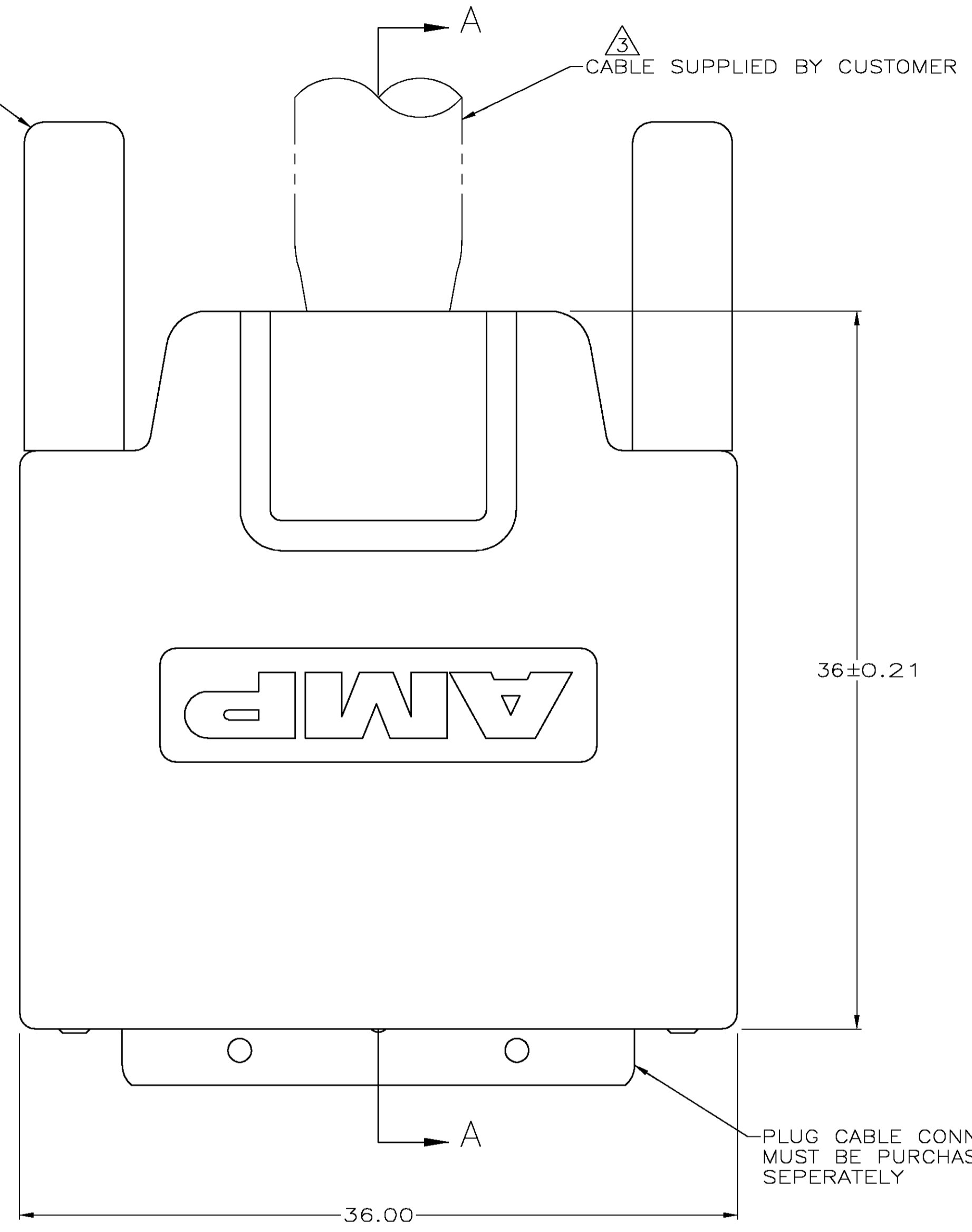


LOC		DIST		REVISONS			
P	LR	DESCRIPTION	DATE	DN	APP		
C		REDRAWN PER EC OS13-0148-04		OBMAR05	TS	JG	



SECTION A-A



- ⚠ MATERIAL:
 HERMAPHRODITIC BACKSHELL- STEEL.
 JACKSCREW - STEEL.
 JACKSCREW HEAD - ABS MOLDING COMPOUND, COLOR-BLACK.
 HERMAPHRODITIC JACKSCREW COVER- UL 94V-0 RATED
 ABS MOLDING COMPOUND, COLOR-BLACK.
- ⚠ PLATING:
 HERMAPHRODITIC BACKSHELL- 5µm MIN BRIGHT NICKEL OVER
 2.5µm MIN COPPER.
 JACKSCREW - BLUE CHROMATE OVER ZINC.
- ⚠ RECOMMENDED WIRE: 30 AWG WITH A 0.56-0.64 INSULATION DIAMETER,
 WIRE MUST BE APPROVED BY AMP ENGINEERING.

OBSELETE	INDIVIDUAL KIT	787233-2
	BULK, 100 KITS	787233-1
	PACKAGING	PART NO

THIS DRAWING IS A CONTROLLED DOCUMENT.

DIMENSIONS: mm 0 PL ± - 1 PL ± - 2 PL ± 0.13 3 PL ± - 4 PL ± - ANGLES ± -	TOLERANCES UNLESS OTHERWISE SPECIFIED: 0 PL ± - 1 PL ± - 2 PL ± 0.13 3 PL ± - 4 PL ± - ANGLES ± -	DIMEN T. SHUEY CHK J. GERACE APP'D W. WALMSLEY PRODUCT SPEC 108-1471 APPLICATION SPEC - WEIGHT - CUSTOMER DRAWING	DEBAROS T. SHUEY DEBAROS J. GERACE DEBAROS W. WALMSLEY NAME Tyco Electronics Corporation Harrisburg, Pa 17105-3608 BACKSHELL KIT, JACKSCREW, 50 POSITION, CABLE CONNECTOR, 0.8mm, CHAMP SIZE A1 CAGE CODE 00779 DRAWING NO 787233 RESTRICTED TO - SCALE 5:1 SHEET 1 OF 1 REV C
--	---	---	--