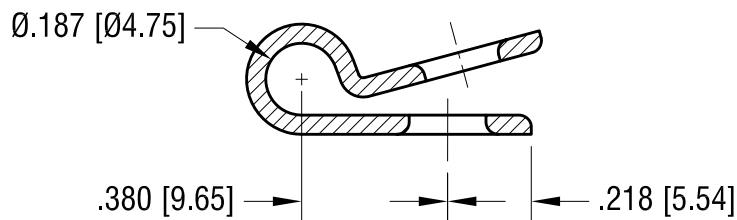
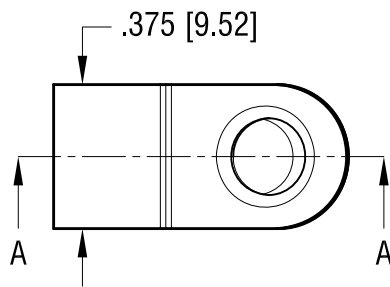
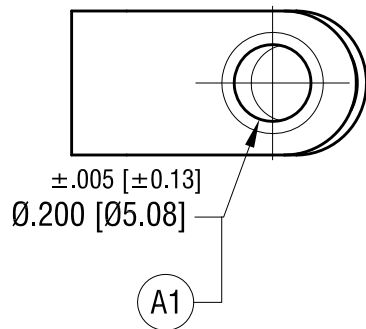


THIS DOCUMENT IS THE PROPERTY OF
KEYSTONE ELECTRONICS CORP. AND
SHALL NOT BE REPRODUCED, DISTRIBUTED
OR USED AS A BASIS FOR MANUFACTURE
WITHOUT PRIOR WRITTEN PERMISSION
FROM KEYSTONE ELECTRONICS CORP.

ACTUAL SIZE



SECTION A-A



KEYSTONE ELECTRONICS CORP.

www.keyelco.com • NEW HYDE PARK, NY 11040 • Tel (516) 328-7500

PART NAME		NYLON CABLE CLAMP	
MATERIAL		.050 [1.27] NYLON 6/6	
FINISH	NONE	DRN BY	BOONE
		APP'D	RH
		DATE	11.2.06
		SCALE	3X
TOLERANCES	INCH [MM]	CODE	DWG NO.
DECIMAL	± .015 [± 0.38]	C	7623
ANGULAR	± 1°		
UNLESS OTHERWISE SPECIFIED			

(A1) WAS .203±.005

4.08.21 CHANGE AS PER ECN 21-035

DATE	DESCRIPTION	REV.
		A