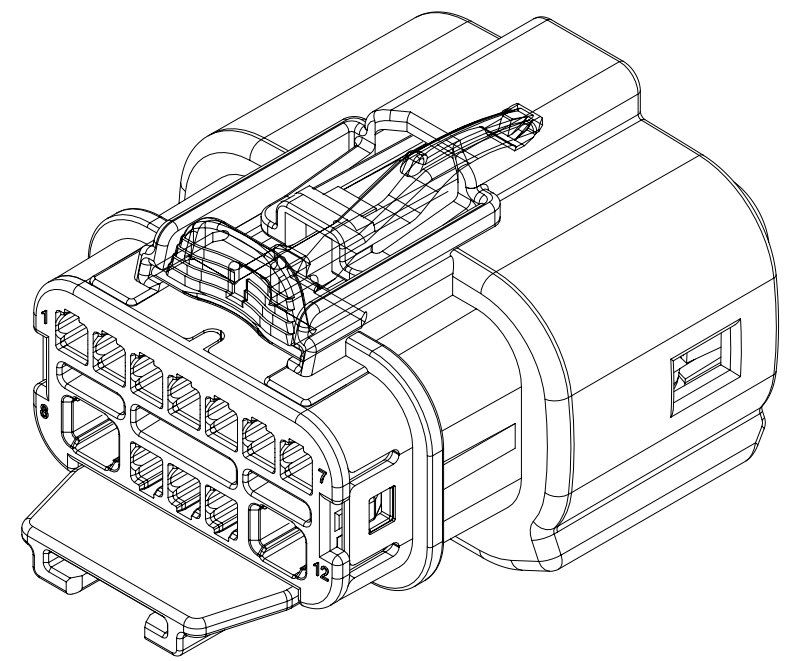
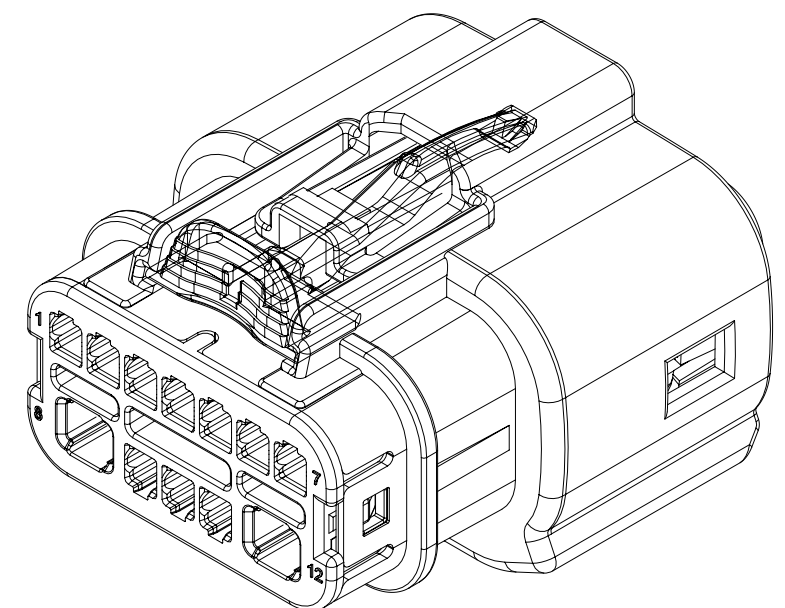


TABLE OF CONTENTS	
SHEET NO.	SHEET DESCRIPTION
1	NOTES
2	CONFIGURATIONS
3	KEY CONFIGURATIONS
4	RECEPTACLE CONNECTOR ASSEMBLY
5	12W HYBRID CONNECTOR BOM
6	12W HYBRID CONNECTOR BOM
7	12W HYBRID INTERFACE DEFINITION

DESCRIPTION	PACKAGING DRAWING NO.	MATING INTERFACE/CONNECTOR DRAWINGS	
		INTERFACE DEFINITION	MOLEX INLINE
12W HYBRID	RPK-1601110900	SEE PAGE 6	E-1601120000



12W HYBRID W/ EXTENDED CLIPSLOT



12W HYBRID NON-CLIPSLOT

NOTES: VALID UNLESS OTHERWISE SPECIFIED

1. GENERAL:

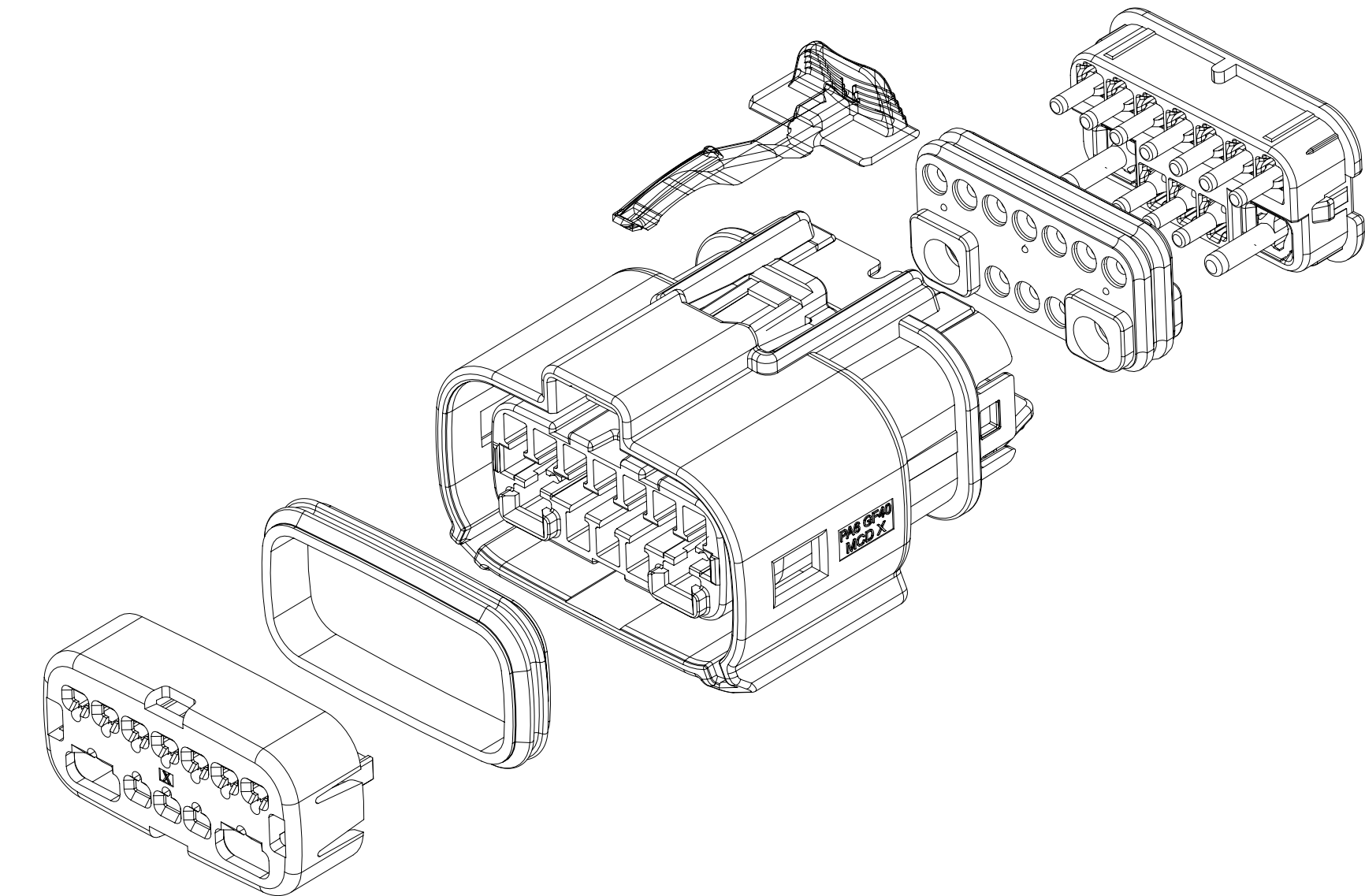
- 1.1 APPLICATION SPECIFICATION SEE: 1601110001-AS
  - CONTAINS: PRODUCT INTRODUCTION, PRODUCT SUMMARY, CONNECTOR ASSEMBLY, PACKAGING INFORMATION, CONNECTOR MATING, SERVICE INSTRUCTIONS, ELECTRICAL CONTINUITY CHECKING, CRIMPING, AND TROUBLE SHOOTING.
  - DESIGNED TO MATE WITH DEVICE OR CONNECTOR AS SPECIFIED IN THE MATING INTERFACE/CONNECTOR DRAWINGS CHART.
  - \*DENOTES DRAWINGS THAT CAN BE ACCESSED AT [http://ewcap.uscarteams.org/]
  - ASSEMBLY SHIPPED WITH THE FOLLOWING PARTS IN PRE-LOCK POSITION (PLR, CPA, ISL, LEVEL. SEE PRE-LOCK VIEW ON PAGE 4).
- 1.2 PRODUCT SPECIFICATION SEE: 1601110001-PS
  - CONTAINS: SCOPE, PRODUCT DESCRIPTION, INTEGRAL COMPONENTS AND ACCESSORIES, APPLICABLE DOCUMENTS AND SPECIFICATIONS, RATINGS, PERFORMANCE, PACKAGING, GAUGES AND FIXTURES, AND OTHER INFORMATION.
- 1.3 PACKAGING SPECIFICATION PER MOLEX DRAWING: SEE PACKAGING CHART
- 1.4 PARTS MUST BE IN COMPLIANCE TO MOLEX CHEMICAL SUBSTANCES FOR PRODUCTS AND PACKAGING SPECIFICATION: QEHS-699000-300
- 1.5 DATA MUST BE SUBMITTED UNDER THE MOLEX PART NUMBER TO IMDS (COMPANY ID#13255)

2. DESIGN - MATERIALS:

- 2.1 SEE BOM TABLE

3. DESIGN - GEOMETRY:

- 3.1 THE 3-D CAD DATA IS BASIC (WITHOUT TOLERANCE) AND MUST BE TAKEN FROM THE DATA FILE AT ITS LATEST REVISION.
  - 3.2 THE 3-D CAD DATA IS MASTER FOR THIS PART AND IS TO BE USED TO ESTABLISH DIMENSIONAL INFORMATION NOT SHOWN ON THIS DRAWING. ANY DIMENSIONS UNDERLINED INDICATE A CONFLICT WITH THE MODEL.
  - 3.3 PRODUCT DESIGN MODEL NUMBER(S): SEE BOM TABLE
  - 3.4 GEOMETRIC DIMENSIONS AND TOLERANCES PER ASME Y14.5M-2009
  - 3.5 EDGES OF UNDEFINED SHAPE PER ISO 13715
  - 3.6 CORNERS SHOWN AS SHARP TO BE R 0.2 MAX
  - 3.7 LETTERING SHALL BE 0.15 MAX RAISED IN 0.25 MAX RECESS PAD. THIS INCLUDES RECYCLING CODE, CAVITY ID, VENDOR IDENTIFICATION, AND CUSTOMER MATERIAL NUMBER.
  - 3.8 VISUAL DEFECTS SHALL MEET COSMETIC STANDARD PS-45499-002 (CLASS B).
  - 3.9 LASER MARKING
    - 1. PART NUMBER
    - 2. DAY OF THE YEAR
    - 3. SHIFT
    - 4. YEAR
- FOR ADDITIONAL INFORMATION SEE SECTION 5 UNDER PROCEDURES IN ES-34735-008.



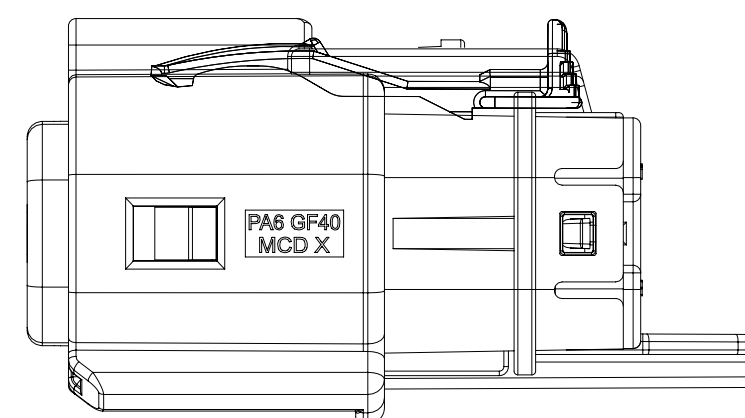
D4	ADD 160111-6062 AND 160111-6063
D3	ADD 160111-6061
D2	ADD 160111-6059 AND 6060
D1	ADD 160111-6054 THRU 6058
D	ADD 160111-6050 THRU 6053
C2	UPDATED NOTES
C1	CHANGE DOCUMENT TYPE FROM RSD TO SD
C	ADD 160111-6046 THRU 6049
B	UPDATED INFORMATION TO PRODUCTION LEVEL
A2	ADDED NEW PART NO. 160111-6039 160111-6040 160111-6041 160111-6042 160111-6043 160111-6044 160111-6045
A1	ADDED NEW PART NO. 160111-6021 160111-6022 160111-6023 160111-6024 160111-6025 160111-6026 160111-6027 160111-6028 160111-6029 160111-6030 160111-6031 160111-6032 160111-6033 160111-6034 160111-6035 160111-6036 160111-6037 160111-6038
A	INITIAL RELEASE

INSPECTION NUMBER LOG	
LAST NUMBER: 7	REV DESCRIPTION
REV	REV DESCRIPTION

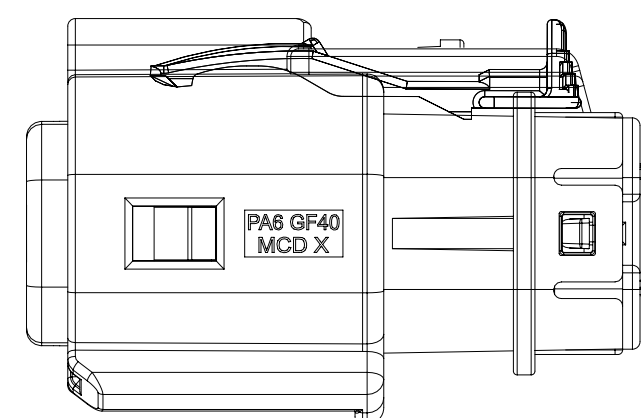
THIS DRAWING CONTAINS INFORMATION THAT IS PROPRIETARY TO MOLEX ELECTRONIC TECHNOLOGIES, LLC AND SHOULD NOT BE USED WITHOUT WRITTEN PERMISSION									
DIMENSION UNITS	SCALE	CURRENT REV DESC: SEE REVISION TABLE							
mm	2:1	<p>MX150 HYBRID MAT SEAL RCPT CONN ASM</p> <p>PRODUCT CUSTOMER DRAWING</p>							
GENERAL TOLERANCES (UNLESS SPECIFIED)									
ANGULAR TOL	± °								
4 PLACES	±								
3 PLACES	±								
2 PLACES	±	EC NO: 674870							
1 PLACE	±	DRWN: SCV	2021/08/23						
0 PLACES	±	CHK'D: GGA	2021/08/27						
DRAFT WHERE APPLICABLE MUST REMAIN WITHIN DIMENSIONS		APPR: GGA	2021/08/27						
THIRD ANGLE PROJECTION		INITIAL REVISION:							
D		DRWN: ADING03	2017/01/16						
D-SIZE		APPR: KDEKOSKI	2017/01/17						
SERIES		DOCUMENT NUMBER	DOC TYPE	DOC PART	REVISION				
160111		1601110000	PSD	000	D4				
MATERIAL NUMBER		CUSTOMER	SHEET NUMBER						
CHARTED			1 OF 7						

SHEET DESCRIPTION

CONFIGURATIONS



12W HYBRID W/ EXTENED CLIPSLOT



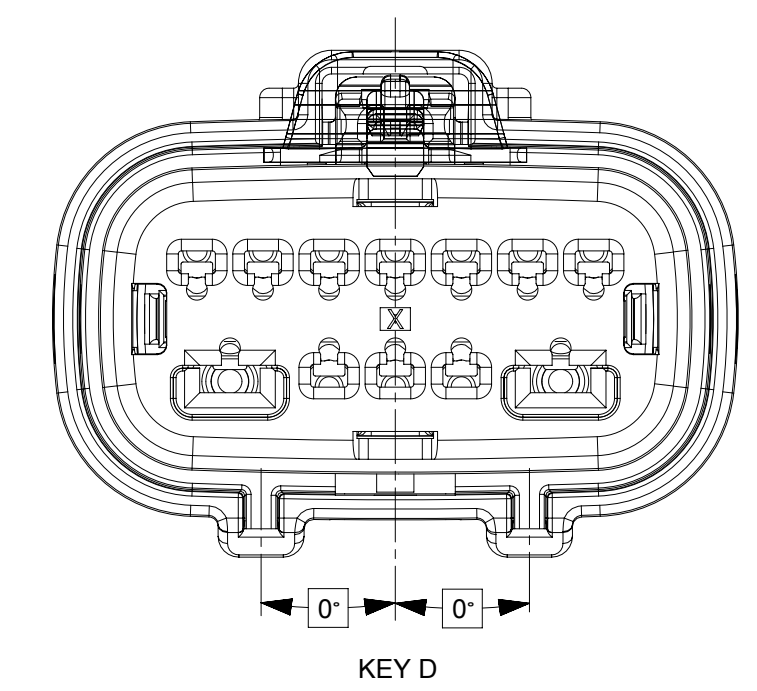
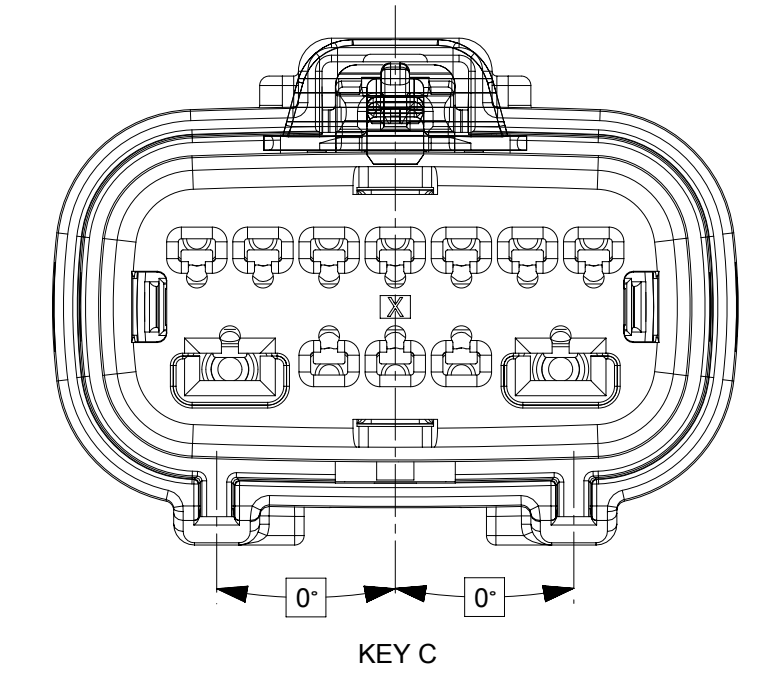
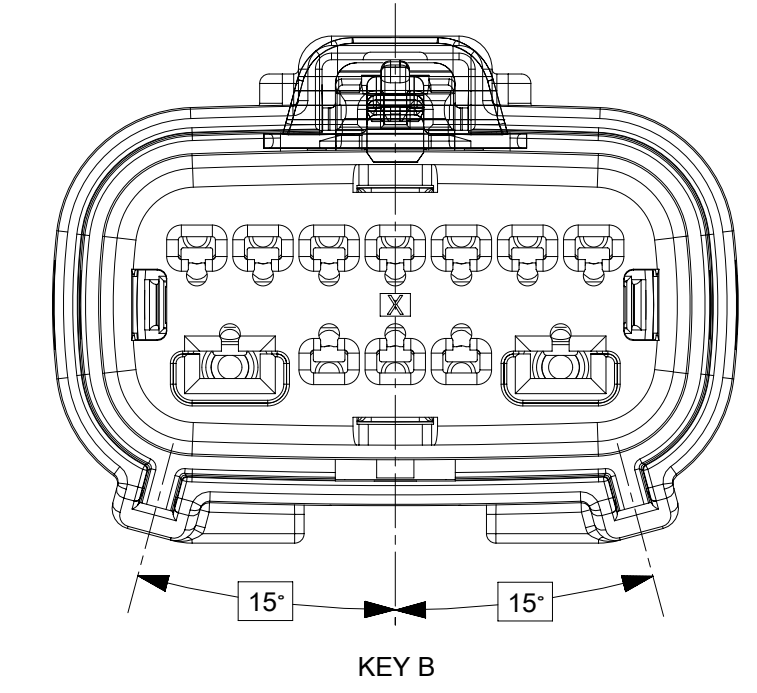
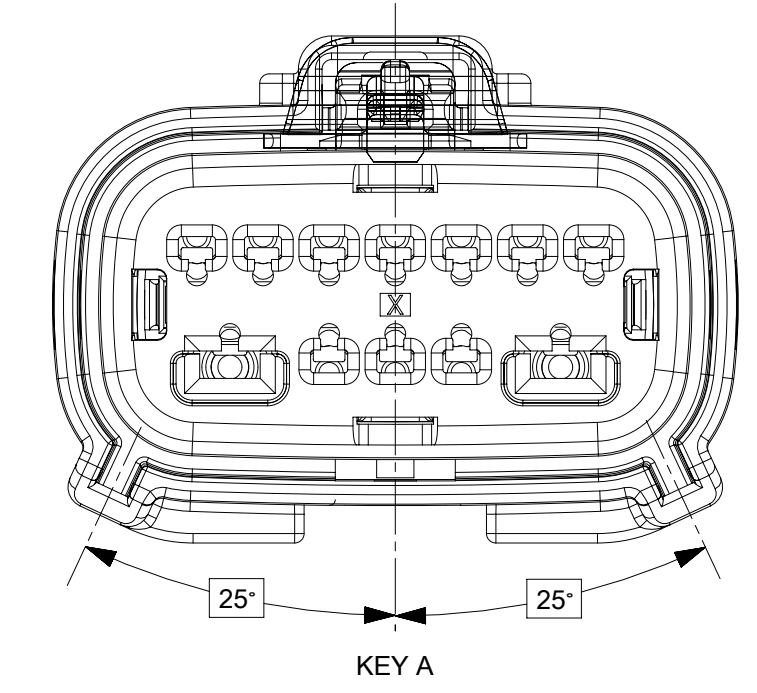
12W HYBRID NON-CLIPSLOT


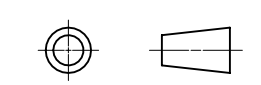
THIS DRAWING CONTAINS INFORMATION THAT IS PROPRIETARY TO MOLEX ELECTRONIC TECHNOLOGIES, LLC AND SHOULD NOT BE USED WITHOUT WRITTEN PERMISSION									
DIMENSION UNITS	SCALE	CURRENT REV DESC: SEE REVISION TABLE							
mm	2:1								
GENERAL TOLERANCES (UNLESS SPECIFIED)					EC NO: 674870 DRWN: SCV 2021/08/23 CHK'D: GGA 2021/08/27 APPR: GGA 2021/08/27				
ANGULAR TOL	± °								
4 PLACES	±				INITIAL REVISION: DRWN: ADING03 2017/01/16 APPR: KDEKOSKI 2017/01/17				
3 PLACES	±								
2 PLACES	±				DOCUMENT NUMBER: 1601110000 DOC TYPE: PSD DOC PART: 000 REVISION: D4				
1 PLACE	±								
0 PLACES	±				MATERIAL NUMBER: 160111 CUSTOMER: CHARTED SHEET NUMBER: 2 OF 7				
DRAFT WHERE APPLICABLE MUST REMAIN WITHIN DIMENSIONS		THIRD ANGLE PROJECTION	DRAWING	SERIES					
			D-SIZE	160111					

SEE NOTES

SHEET DESCRIPTION  
KEY CONFIGURATIONS

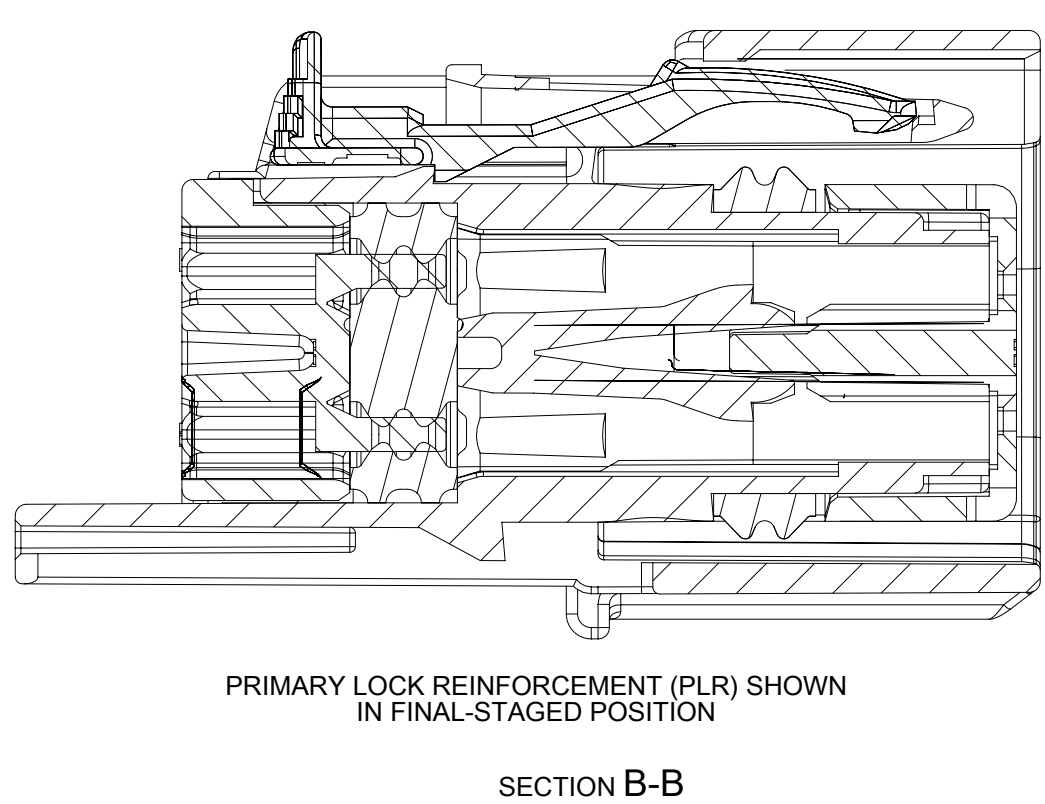
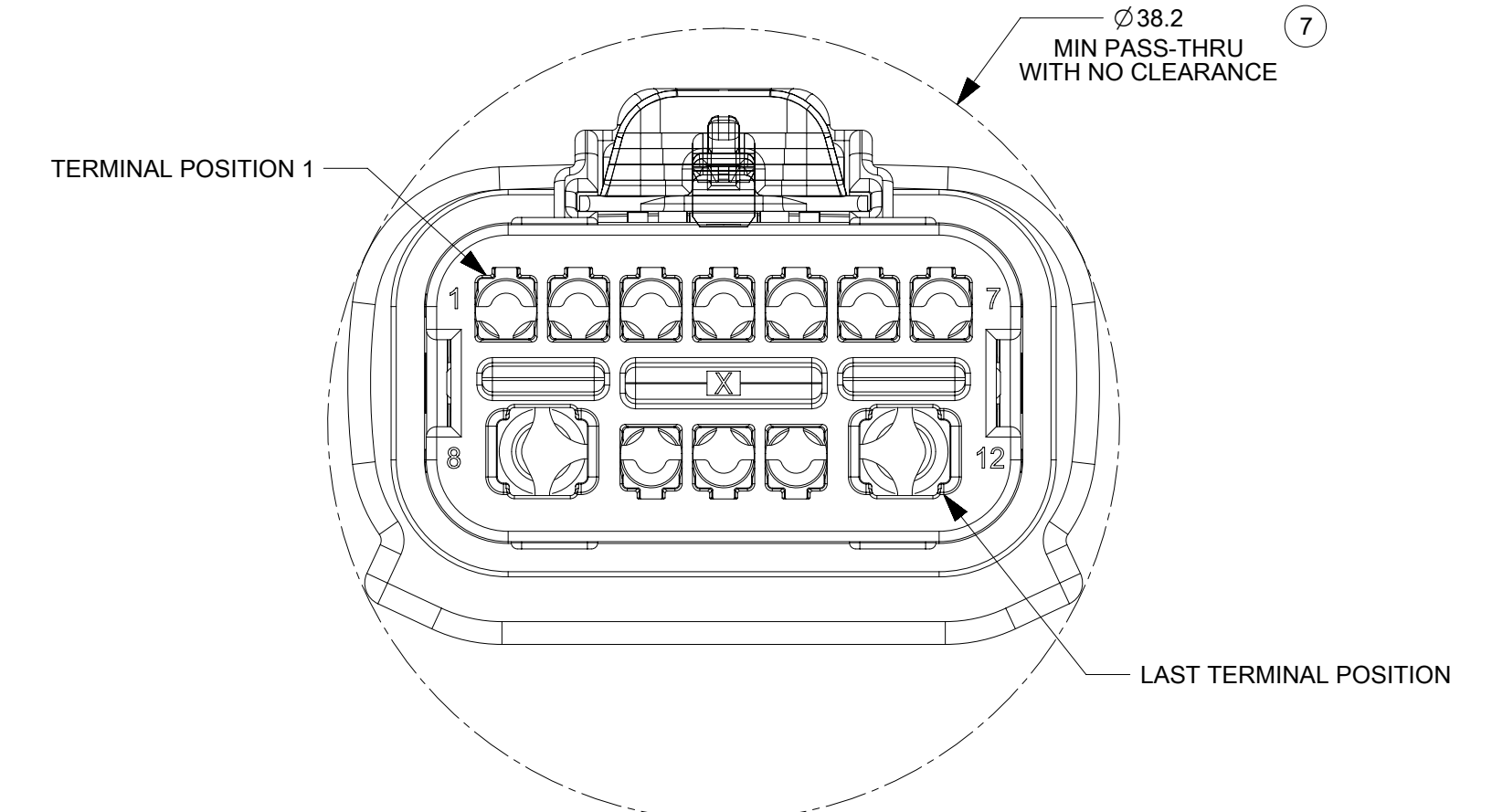
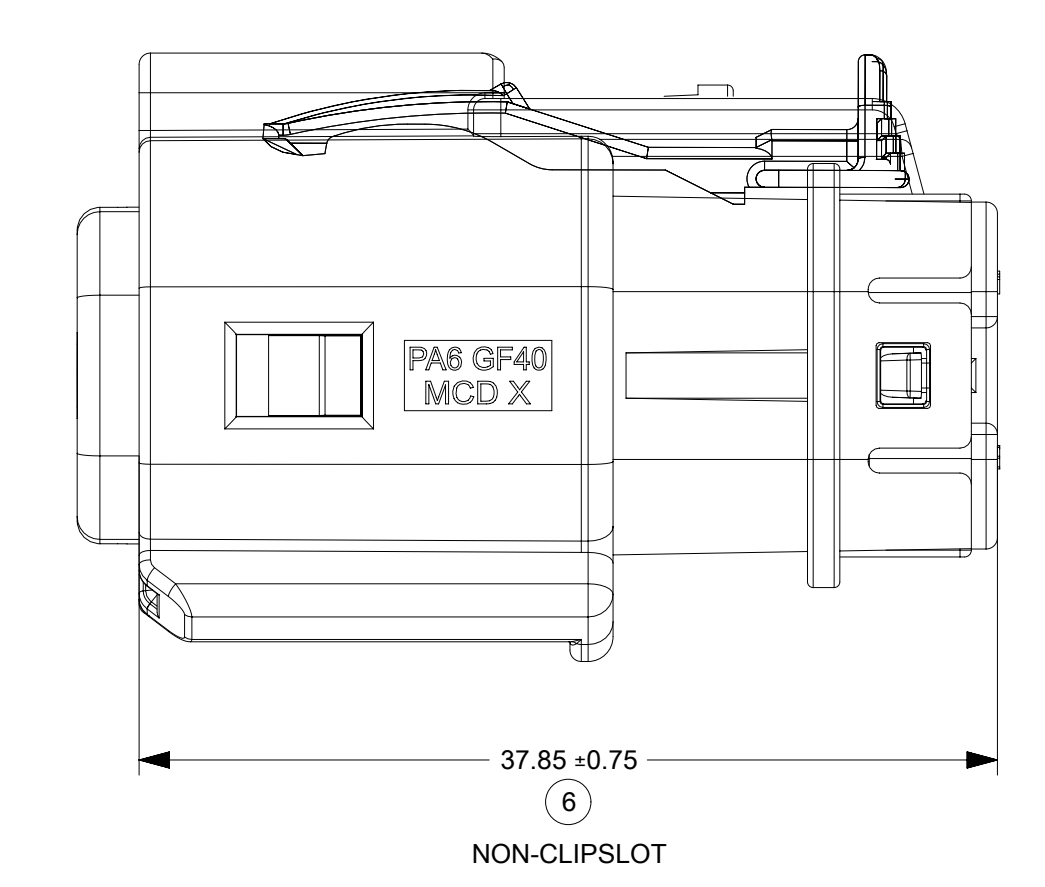
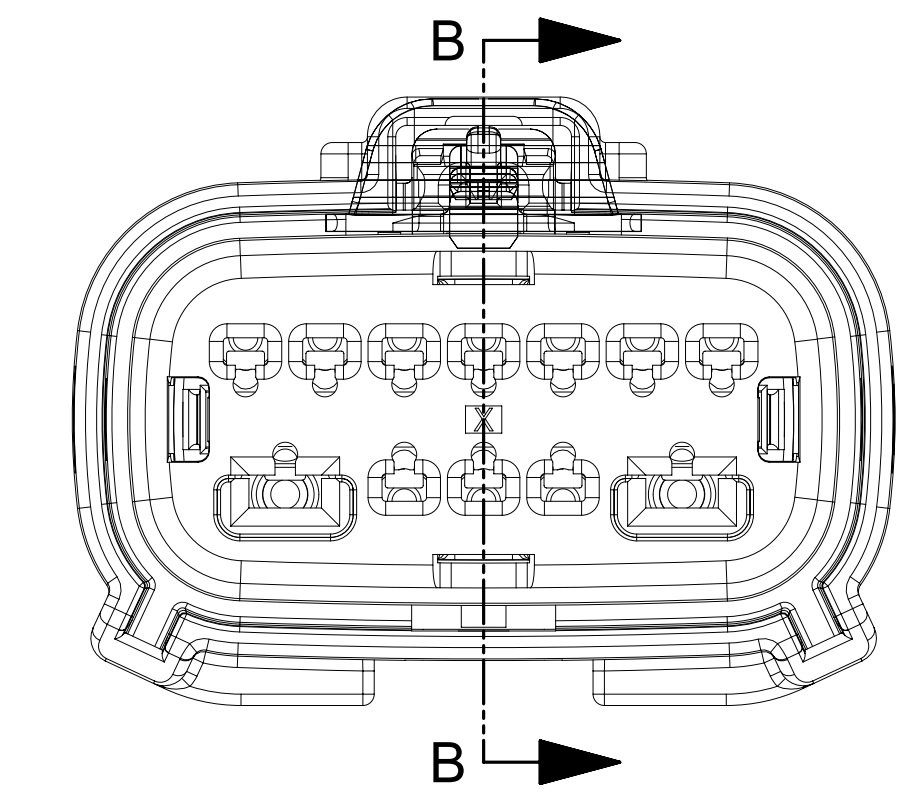
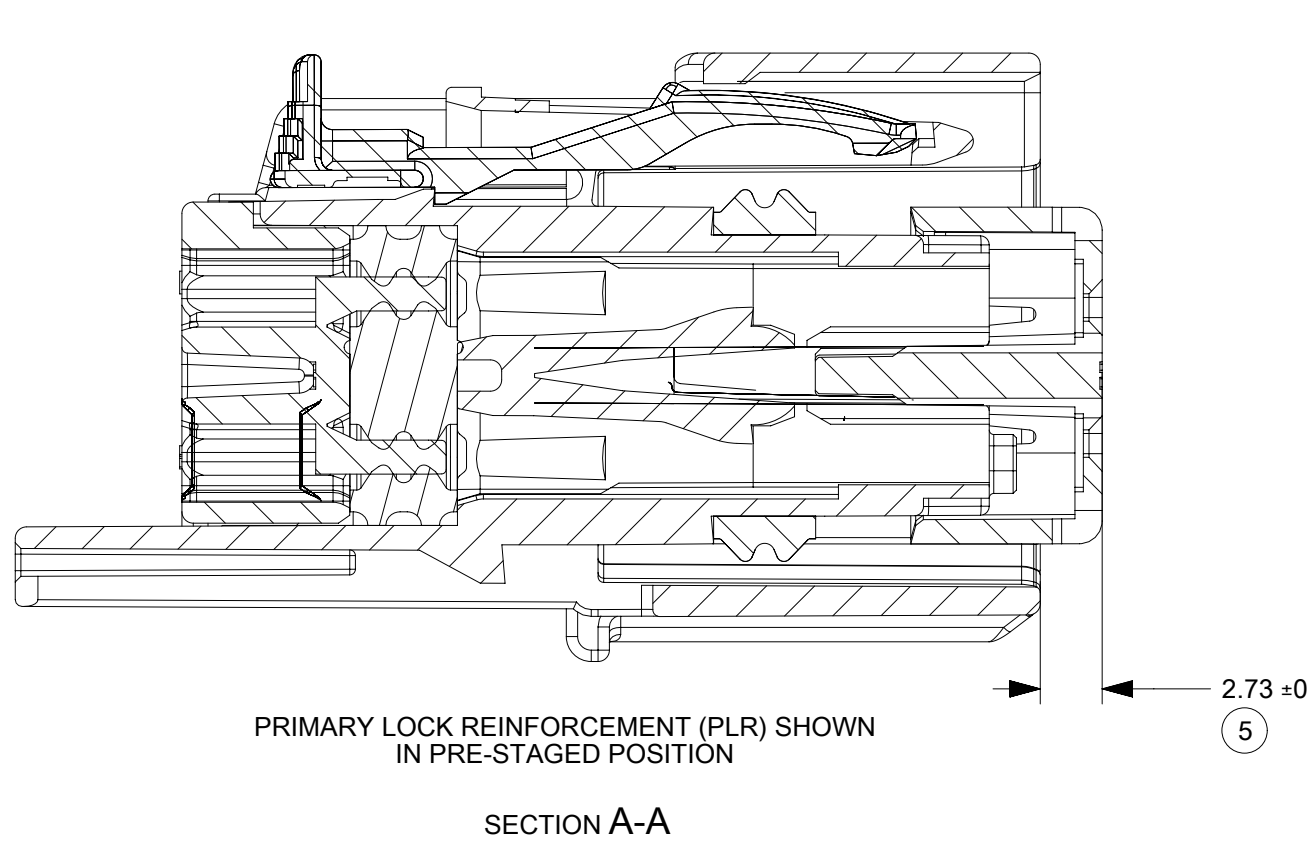
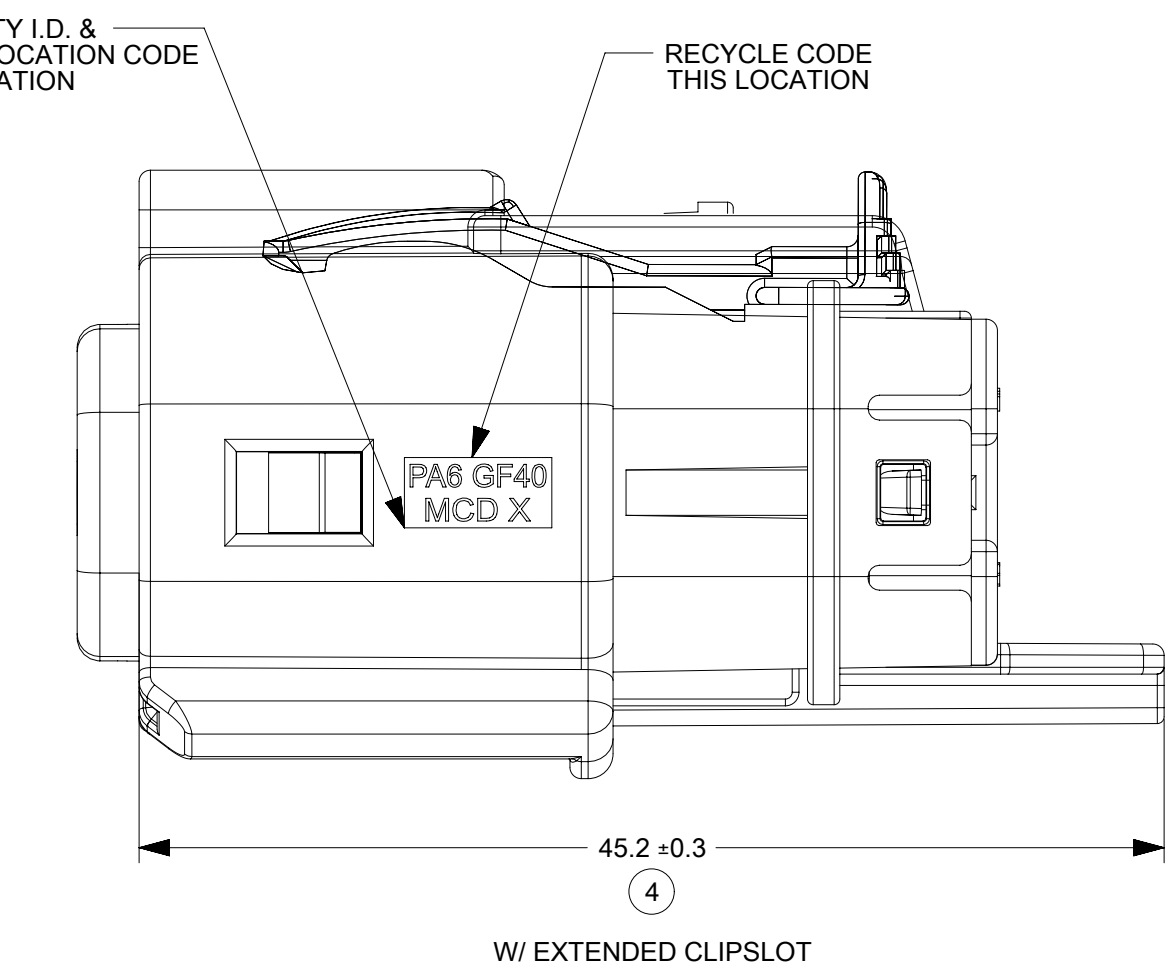
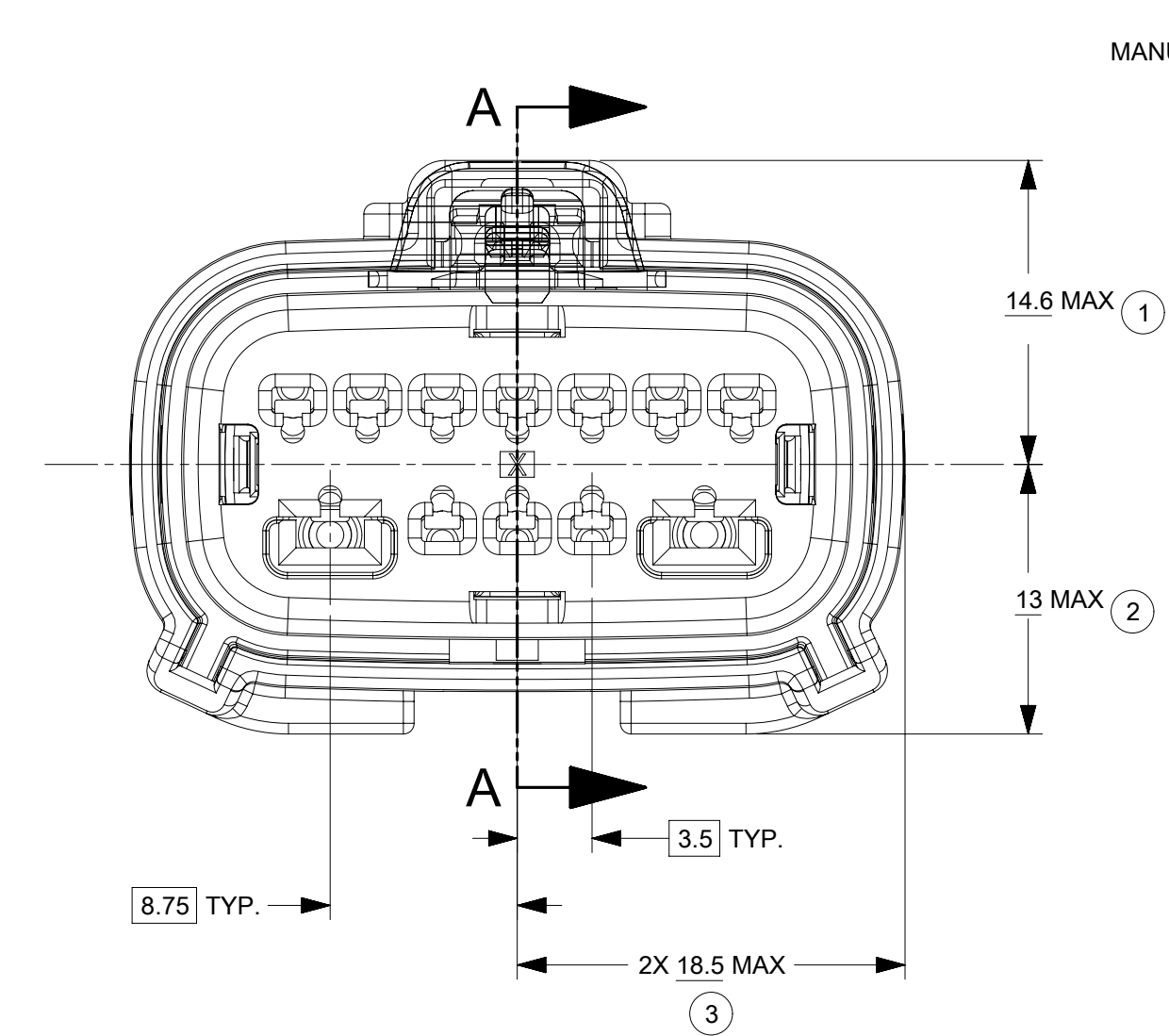
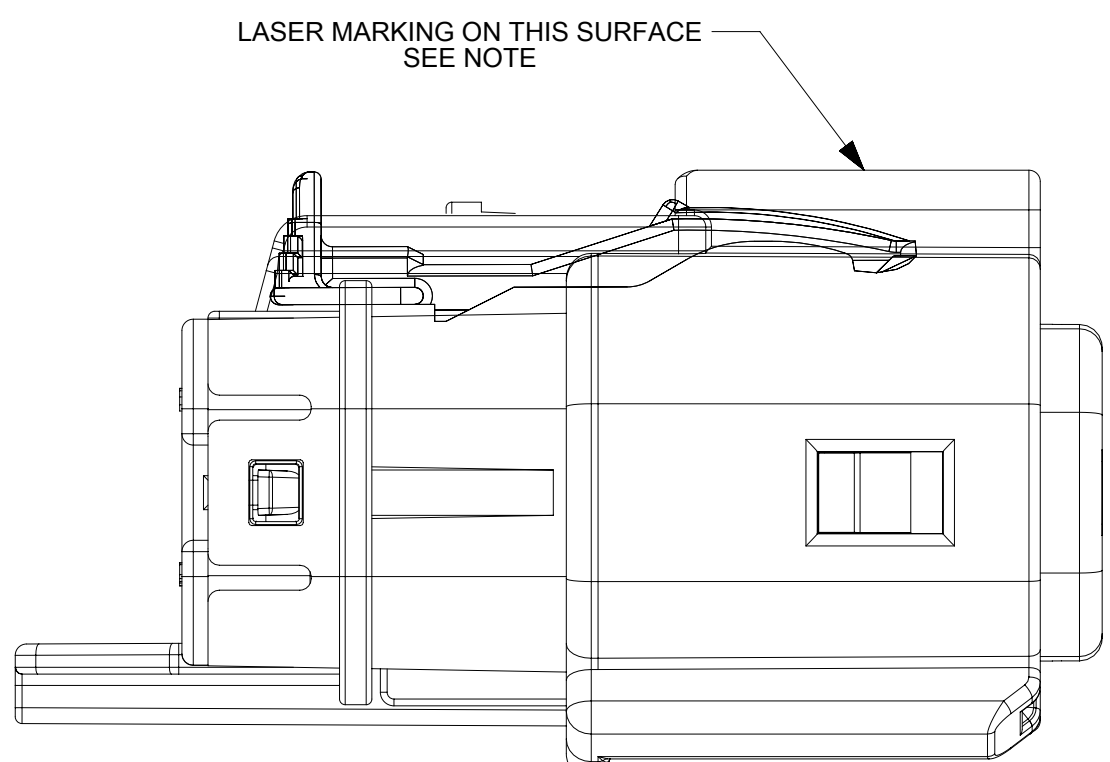
12W HYBRID



THIS DRAWING CONTAINS INFORMATION THAT IS PROPRIETARY TO MOLEX ELECTRONIC TECHNOLOGIES, LLC AND SHOULD NOT BE USED WITHOUT WRITTEN PERMISSION									
DIMENSION UNITS		SCALE		CURRENT REV DESC: SEE REVISION TABLE					
mm		3:1							
GENERAL TOLERANCES (UNLESS SPECIFIED)								MX150 HYBRID MAT SEAL RCPT CONN ASM	
ANGULAR TOL ± °				EC NO: 674870				PRODUCT CUSTOMER DRAWING	
4 PLACES ±				DRWN: SCV 2021/08/23				DOCUMENT NUMBER	
3 PLACES ±				CHK'D: GGA 2021/08/27				1601110000	
2 PLACES ±				APPR: GGA 2021/08/27				PSD 000	
1 PLACE ±				INITIAL REVISION:				REVISION	
0 PLACES ±				DRWN: ADING03 2017/01/16				D4	
				APPR: KDEKOSKI 2017/01/17					
DRAFT WHERE APPLICABLE MUST REMAIN WITHIN DIMENSIONS				THIRD ANGLE PROJECTION		DRAWING		SHEET NUMBER	
						D-SIZE		3 OF 7	
				SERIES		MATERIAL NUMBER		CUSTOMER	
				160111		CHARTED			

DOCUMENT STATUS	P1	RELEASE DATE	2021/08/27 04:44:55
-----------------	----	--------------	---------------------

SHEET DESCRIPTION  
RECEPTACLE CONNECTOR ASSEMBLY



THIS DRAWING CONTAINS INFORMATION THAT IS PROPRIETARY TO MOLEX ELECTRONIC TECHNOLOGIES, LLC AND SHOULD NOT BE USED WITHOUT WRITTEN PERMISSION

DIMENSION UNITS	SCALE	CURRENT REV DESC: SEE REVISION TABLE	
mm	4:1		
GENERAL TOLERANCES (UNLESS SPECIFIED)			
ANGULAR TOL	± °		
4 PLACES	±	EC NO: 674870	
3 PLACES	±	DRWN: SCV	2021/08/23
2 PLACES	±	CHK'D: GGA	2021/08/27
1 PLACE	±	APPR: GGA	2021/08/27
0 PLACES	±	INITIAL REVISION:	
DRAFT WHERE APPLICABLE MUST REMAIN WITHIN DIMENSIONS		DRWN: ADING03	2017/01/16
		APPR: KDEKOSKI	2017/01/17
THIRD ANGLE PROJECTION	DRAWING	SERIES	MATERIAL NUMBER
	D-SIZE	160111	CHARTED
		CUSTOMER	SHEET NUMBER
			4 OF 7

**molex**

MX150 HYBRID MAT SEAL RCPT CONN ASM

PRODUCT CUSTOMER DRAWING

DOCUMENT NUMBER	DOC TYPE	DOC PART	REVISION
1601110000	PSD	000	D4



SHEET DESCRIPTION  
12W HYBRID CONNECTOR BOM

ASSEMBLY DESCRIPTION	ASSEMBLY PART NUMBER	COMPONENT						BLOCKED TERMINALS												STATUS	COMMENTS	OPTIONAL ATTACHMENTS SOLD SEPERATELY	
		THE PRESENCE OF AN ABBREVIATION INDICATES THE PRESENCE OF THAT COMPONENT.						CAVITY WITH A NUMBER INDICATES BLOCKED TERMINAL POSITION CAVITY WITHOUT A NUMBER INDICATES OPEN TERMINAL POSITION														BACKSHELL WITH RIBS	BACKSHELL WITHOUT RIBS
		HOUSING KEY/COLOR	GROMMET CAP	PLR	CPA	MAT SEAL	RING SEAL	1	2	3	4	5	6	7	8	9	10	11	12				
KEY A, BLACK, W/ CPA, W/ EX. CLIPSLLOT	160111-6046	A-BLK-ECLIP	GCP-ECLIP	PLR	CPA	M	R	1	2	3				7						SALEABLE			
KEY A, BLACK, W/ CPA, W/ EX. CLIPSLLOT	160111-6047	A-BLK-ECLIP	GCP-ECLIP	PLR	CPA	M	R		2			4	5	6						SALEABLE			
KEY A, BLACK, W/ CPA, W/ EX. CLIPSLLOT	160111-6048	A-BLK-ECLIP	GCP-ECLIP	PLR	CPA	M	R	1	2	3	4	5	6	7						SALEABLE			
KEY A, BLACK, W/ CPA, W/ EX. CLIPSLLOT	160111-6049	A-BLK-ECLIP	GCP-ECLIP	PLR	CPA	M	R	1	2	3	4	5	6	7				11		SALEABLE			
KEY A, BLACK, W/ CPA, W/ EX. CLIPSLLOT	160111-6050	A-BLK-ECLIP	GCP-ECLIP	PLR	CPA	M	R								9	10				SALEABLE			
KEY A, BLACK, W/ CPA, W/ EX. CLIPSLLOT	160111-6051	A-BLK-ECLIP	GCP-ECLIP	PLR	CPA	M	R	1		3	4	5	6	7						SALEABLE			
KEY A, BLACK, W/ CPA, W/ EX. CLIPSLLOT	160111-6052	A-BLK-ECLIP	GCP-ECLIP	PLR	CPA	M	R				4	5	6							SALEABLE			
KEY A, BLACK, W/ CPA, W/ EX. CLIPSLLOT	160111-6053	A-BLK-ECLIP	GCP-ECLIP	PLR	CPA	M	R	1		3				7						SALEABLE			
KEY A, BLACK, W/ CPA	160111-6054	A-BLK	GCP	PLR	CPA	M	R					5		7				11	12	SALEABLE			
KEY A, BLACK, W/ CPA	160111-6055	A-BLK	GCP	PLR	CPA	M	R	1	2					7						SALEABLE			
KEY A, BLACK, W/ CPA	160111-6056	A-BLK	GCP	PLR	CPA	M	R							7					12	SALEABLE			
KEY A, BLACK, W/ CPA	160111-6057	A-BLK	GCP	PLR	CPA	M	R	1	2			5		7				11	12	SALEABLE			
KEY A, BLACK, W/ CPA, W/ EX. CLIPSLLOT	160111-6058	A-BLK-ECLIP	GCP-ECLIP	PLR	CPA	M	R	1	2	3				7				11		SALEABLE			
KEY A, BLACK, W/O CPA, W/ EX. CLIPSLLOT	160111-6059	A-BLK-ECLIP	GCP-ECLIP	PLR		M	R	1	2	3	4	5	6	7	8	9	10	11	12	SALEABLE			
KEY A, BLACK, W/O CPA	160111-6060	A-BLK	GCP	PLR		M	R									9	10			SALEABLE			
KEY A, BLACK, W/ CPA, W/ EX. CLIPSLLOT	160111-6061	A-BLK-ECLIP	GCP-ECLIP	PLR	CPA	M	R								8					SALEABLE			
KEY A, BLACK, W/ CPA	160111-6062	A-BLK	GCP	PLR	CPA	M	R	1	2		4	5	6	7						SALEABLE			
KEY A, BLACK, W/ CPA	160111-6063	A-BLK	GCP	PLR	CPA	M	R		2	3	4		6	7		9	10			SALEABLE			

D4  
D4

THIS DRAWING CONTAINS INFORMATION THAT IS PROPRIETARY TO MOLEX ELECTRONIC TECHNOLOGIES, LLC AND SHOULD NOT BE USED WITHOUT WRITTEN PERMISSION

DIMENSION UNITS <b>mm</b>	SCALE <b>1:1</b>	CURRENT REV DESC: SEE REVISION TABLE		<b>molex</b>			
GENERAL TOLERANCES (UNLESS SPECIFIED)		EC NO: 674870					
ANGULAR TOL ± °		4 PLACES ±	DRWN: SCV 2021/08/23	PRODUCT CUSTOMER DRAWING			
		3 PLACES ±	CHK'D: GGA 2021/08/27	DOCUMENT NUMBER		DOC TYPE	
		2 PLACES ±	APPR: GGA 2021/08/27	1601110000		000	
		1 PLACE ±	INITIAL REVISION:	DRWN: ADING03 2017/01/16		D4	
		0 PLACES ±	APPR: KDEKOSKI 2017/01/17	SERIES		REVISION	
DRAFT WHERE APPLICABLE MUST REMAIN WITHIN DIMENSIONS		THIRD ANGLE PROJECTION	DRAWING	MATERIAL NUMBER	CUSTOMER	SHEET NUMBER	
			<b>D-SIZE</b>	160111	CHARTED	6 OF 7	

