

# Housing - HC-STA-D07-CHWSCF-1TGM25-PL-BK - 1419262

Please be informed that the data shown in this PDF Document is generated from our Online Catalog. Please find the complete data in the user's documentation. Our General Terms of Use for Downloads are valid (<http://phoenixcontact.com/download>)




Coupling housings D7, with single locking latch, material: PA, protective cover material: PA, cable outlets: 1, straight, height: 60.5 mm, cable gland: with, support sleeve: no, 1x M25, protective cover: yes, Standard, for socket inserts



COMPLIES WITH

## Key Commercial Data

Packing unit	1 pc
GTIN	 4 055626 160139
GTIN	4055626160139

## Technical data

### Dimensions

Height	60.5 mm
Width	26.5 mm
Length	26.5 mm
External cable diameter	10 mm ... 16 mm

### Ambient conditions

Degree of protection (IP)	IP66 (when plugged in or with locked protective cover)
Ambient temperature (operation)	-40 °C ... 125 °C

### General

Note	for contact inserts HC-A03, A04, D07, D08, Q02, Q03, Q04, Q05, Q07, Q12
Size	D7
Housing type	Coupling housings
Color	black
Locking type	with single locking latch
No. of cable outlets	1
Cable outlet	straight
Screw connection	with

# Housing - HC-STA-D07-CHWSCF-1TGM25-PL-BK - 1419262

## Technical data

### General

Type of the screw connection	1x M25
Protective cover	yes
Housing material	PA
Material lock	PA
Material, protective cover	PA
Flammability rating according to UL 94	V0 (Polyamide housing)

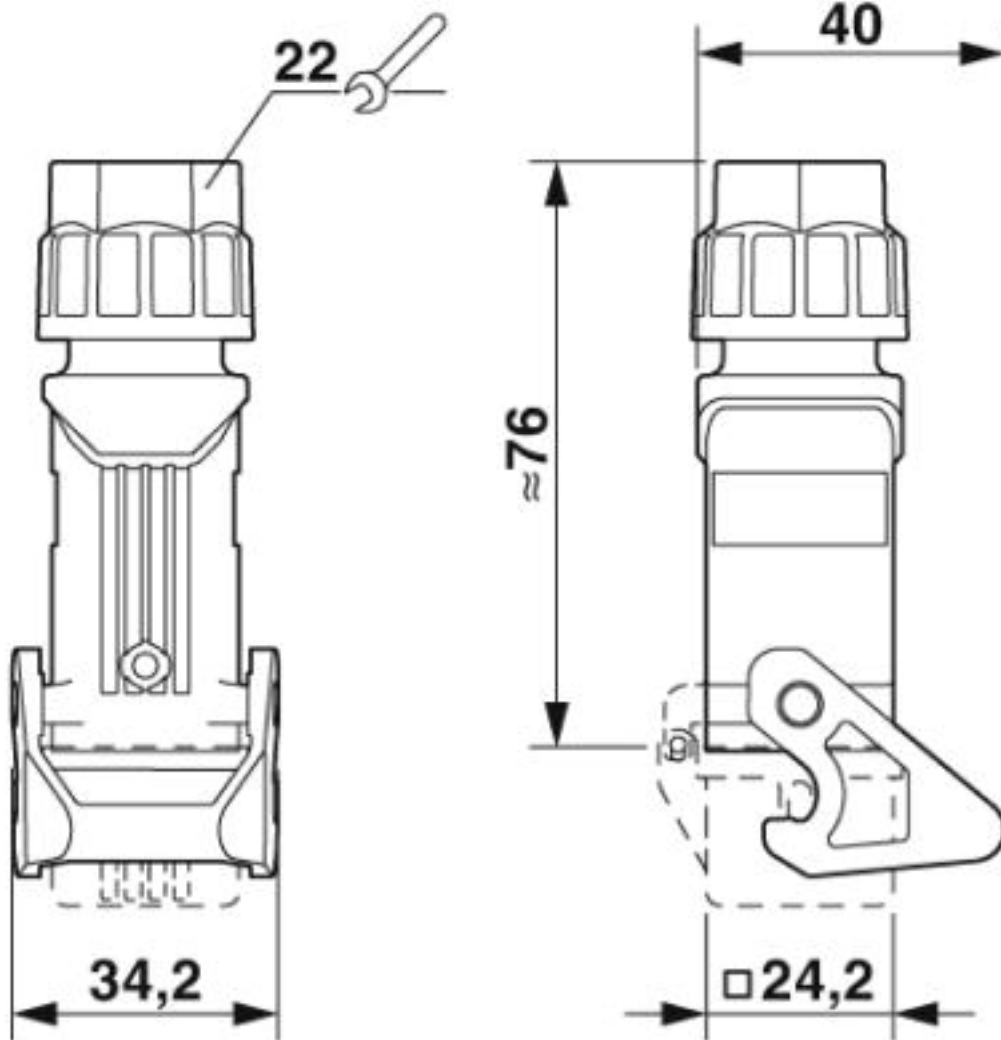
### Environmental Product Compliance

REACH SVHC	Lead 7439-92-1
China RoHS	Environmentally Friendly Use Period = 50
	For details about hazardous substances go to tab "Downloads", Category "Manufacturer's declaration"

## Drawings

# Housing - HC-STA-D07-CHWSCF-1TGM25-PL-BK - 1419262

Dimensional drawing



Dimensional drawing

Approvals

Approvals

---

Approvals

EAC / DNV GL

---

Ex Approvals

---

Approval details

## Housing - HC-STA-D07-CHWSCF-1TGM25-PL-BK - 1419262

### Approvals

EAC		RU C- DE.AI30.B.01102
-----	---	--------------------------

DNV GL		<a href="https://approvalfinder.dnvgl.com/">https://approvalfinder.dnvgl.com/</a>	TAE000037S
--------	---	---	------------

Phoenix Contact 2019 © - all rights reserved  
<http://www.phoenixcontact.com>

PHOENIX CONTACT GmbH & Co. KG  
Flachsmarktstr. 8  
32825 Blomberg  
Germany  
Tel. +49 5235 300  
Fax +49 5235 3 41200  
<http://www.phoenixcontact.com>