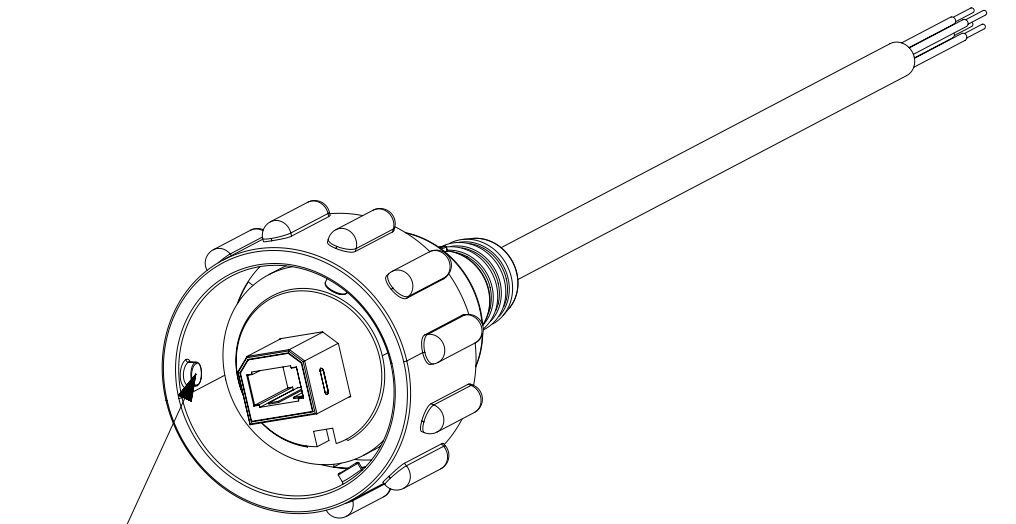
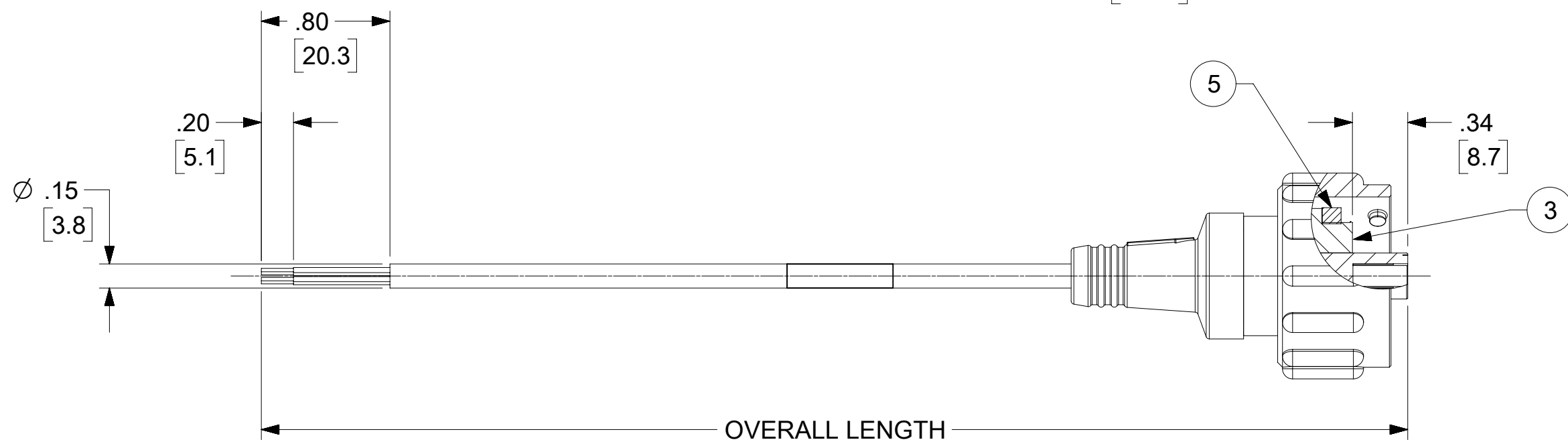
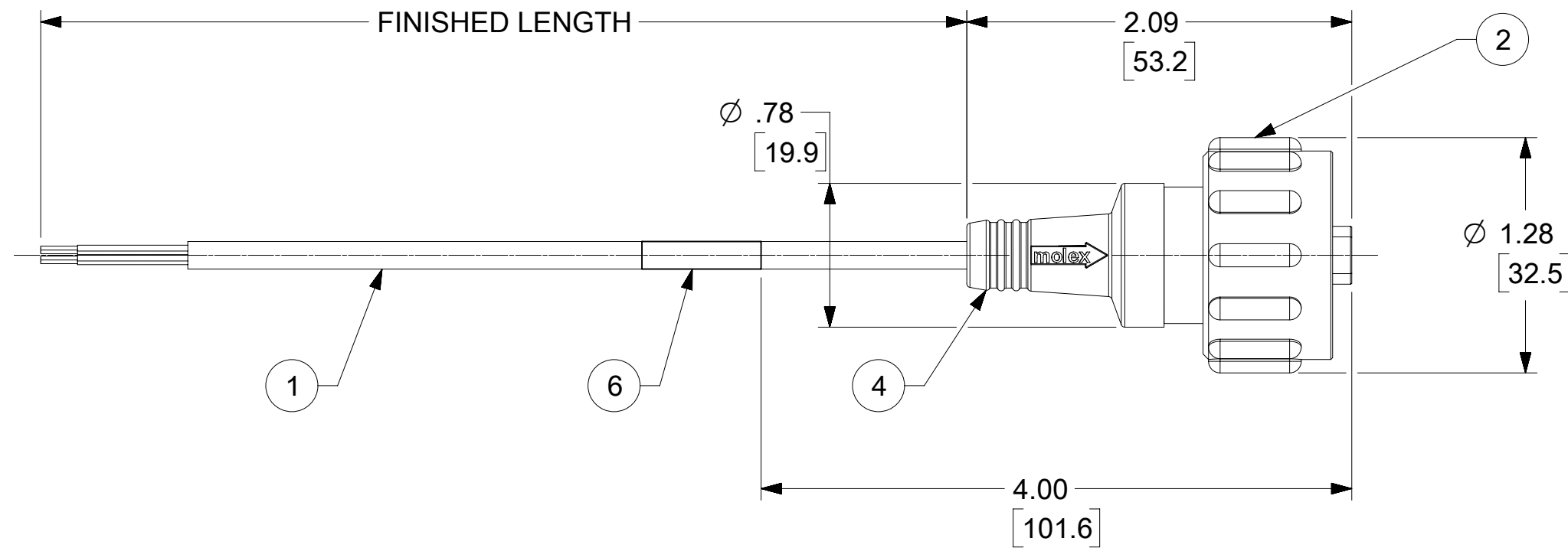
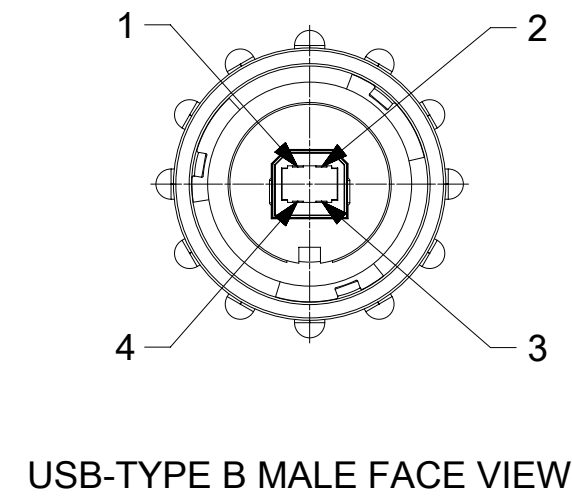


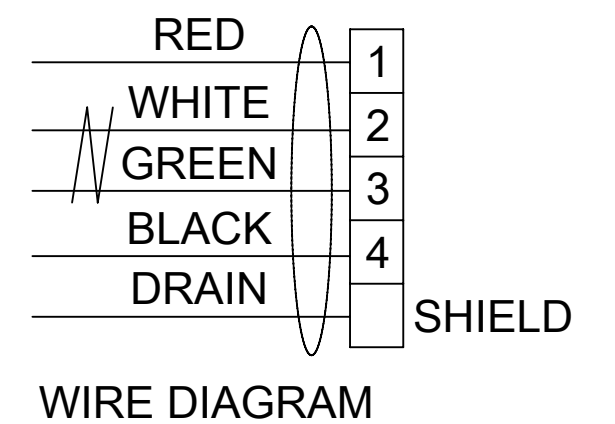
PART NO.	LENGTH	REF. OVERALL LENGTH
847281001	2.0M +44.5mm/-0 (6' 7" +1.75 IN/-0)	2.05M (6 FT 9 IN)
847281002	1.5M +31.8mm/-0 (4' 11" +1.25 IN/-0)	1.55M (5 FT 1 IN)
847281003	3.0M +63.5mm/-0 (9' 10" +2.50 IN/-0)	3.05M (10 FT 0 IN)
847281004	5.0M +101.6mm/-0 (16' 5" +4.00 IN/-0)	5.05M (16 FT 7 IN)
847281005	0.15M +25.4mm/-0 (0' 5.9" +1.00 IN/-0)	0.20M (0 FT 8 IN)
847281905	0.28M +19.0mm/-0 (0' 11.0" +.75 IN/-0)	0.33M (1 FT 1 IN)



BAYONET STYLE LOCKING INTERFACE



USB-TYPE B MALE FACE VIEW



WIRE DIAGRAM

NOTES:

- MATERIAL: AS NOTED
- FINISHES: AS NOTED
- PACKAGING: SEALED POLY BAG WITH BARCODE LABEL
- PRODUCT SPEC: PS-84722-002
- CABLE MATERIAL: PVC JACKET, BLACK  
USB SHELL: PHOS-BRONZE, NICKEL PLATED  
CONTACTS: PHOS-BRONZE, GOLD PLATED
- DIMS SHOWN ARE FOR REFERENCE UNLESS NOTED OTHERWISE
- ASSEMBLY IS RoHS COMPLIANT

REF. THIS DRAWING SUPERSEDES ME10 DOC SD-84728-001,REV-K

ITEM	DESCRIPTION	MATERIAL	FINISH
6	WRAP LABEL	VINYL	BLACK/YELLOW
5	GASKET SEAL	NITRILE	BLACK
4	OVERMOLD	TPC	BLACK
3	HOLDER	PBT	BLACK
2	COUPLING RING	PBT	BLACK
1	CABLE SUB-ASSY, USB TYPE B PLUG, 28 AWG, SHIELDED	AS NOTED	AS NOTED

SYMBOLS		THIS DRAWING CONTAINS INFORMATION THAT IS PROPRIETARY TO MOLEX ELECTRONIC TECHNOLOGIES, LLC AND SHOULD NOT BE USED WITHOUT WRITTEN PERMISSION	
▽ = 0	HYBRID	SCALE	CURRENT REV DESC: O-MOLD MATERIAL
▽ = 0	1:1	MM	WAS PVC
▽ = 0	GENERAL TOLERANCES (UNLESS SPECIFIED)		EC NO: 618943
▽ = 0	4 PLACES ±	INCH	DRWN: RSTONE 2019/06/11
▽ = 0	3 PLACES ±		CHK'D: CCHRASTKA 2019/06/13
▽ = 0	2 PLACES ±		APPR: BWOODMAN 2019/06/24
▽ = 0	1 PLACE ±		INITIAL REVISION:
▽ = 0	0 PLACES ±		DRWN: S. GILBERT 2004/06/29
▽ = 0	ANGULAR TOL ± °		APPR: JFMURPHY 2009/12/15
▽ = 0	DRAFT WHERE APPLICABLE MUST REMAIN WITHIN DIMENSIONS	THIRD ANGLE PROJECTION	DRAWING
		C-SIZE	SERIES
		84728	MATERIAL NUMBER
		SEE P/N CHART	CUSTOMER
			SHEET NUMBER
			1 OF 1

**molex**

USB TYPE B BAYONET STYLE CABLE ASSEMBLY

PRODUCT CUSTOMER DRAWING

DOCUMENT NUMBER  
**847281001**

DOC TYPE DOC PART REVISION

PSD 000 B

MATERIAL NUMBER CUSTOMER SHEET NUMBER

SEE P/N CHART 1 OF 1