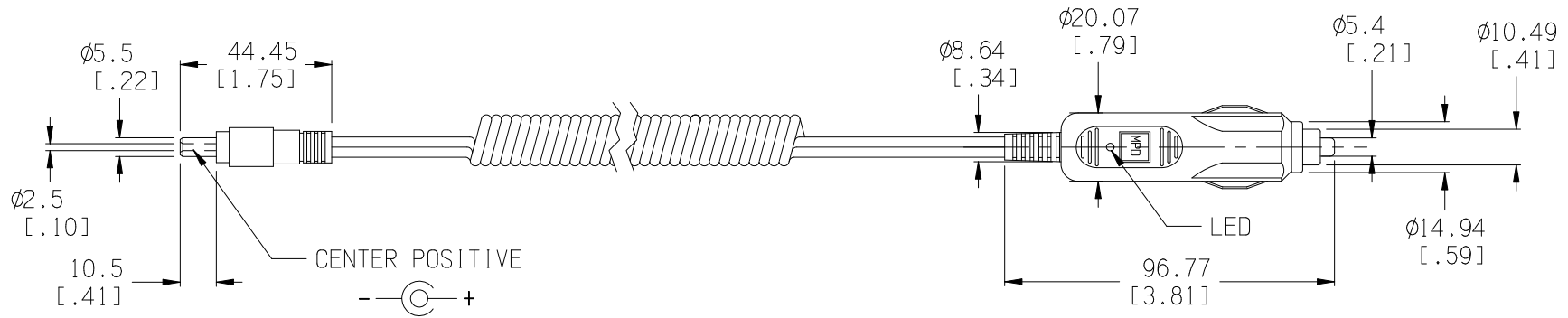


| Date     | SYM | REVISION RECORD             | AUTH | DR.  | CK. |
|----------|-----|-----------------------------|------|------|-----|
| 8/04/07  | A   | Added wire gauge            | T.B. | B.S. |     |
| 10/06/07 | B   | Added "ROHS COMPLIANT"      | T.B. | B.S. |     |
| 08/28/14 | C   | UPDATED TO ROHS 2 COMPLIANT | T.B. | B.S. |     |
|          |     |                             |      |      |     |
|          |     |                             |      |      |     |



ROHS 2 COMPLIANT

BILL OF MATERIAL

| BILL OF MATERIAL |      |   | Tolerance (Inches) | Memory Protection Devices, Inc.                    |                  |
|------------------|------|---|--------------------|--|------------------|
| PART #           | QTY. | DESCRIPTION                                   |                    | 200 Broad Hollow Road, Farmingdale, New York 11735 |                  |
| APP-001          | 1    | CIGARETTE PLUG FOR 21 OR 22.2mm DIA. SOCKETS  | Decimal            | Scale  | Drawn By B.S.    |
| PLUG             | 1    | DC MOLDED PLUG, 2.5 x 5.5mm                   | $\pm .5$ (.020)    |  | Approved By T.B. |
| FUSE             | 1    | 3AG (6.35 x 30mm), 5 AMP.                     | Fractional         | Title  |                  |
| CORD             | 1    | 20 AWG CORD, STRAND 12/30, NOMINAL OD 3.2x6.4 | $\pm .8$ (.030)    | 12' AUTO POWER COIL CORD SET WITH 2.5mm DC PLUG    |                  |
|                  |      |   | Angular            | Date   | Drawing Number   |
|                  |      |   | $\pm 3^\circ$      | 08/28/14   | ZA5074-2.5       |

