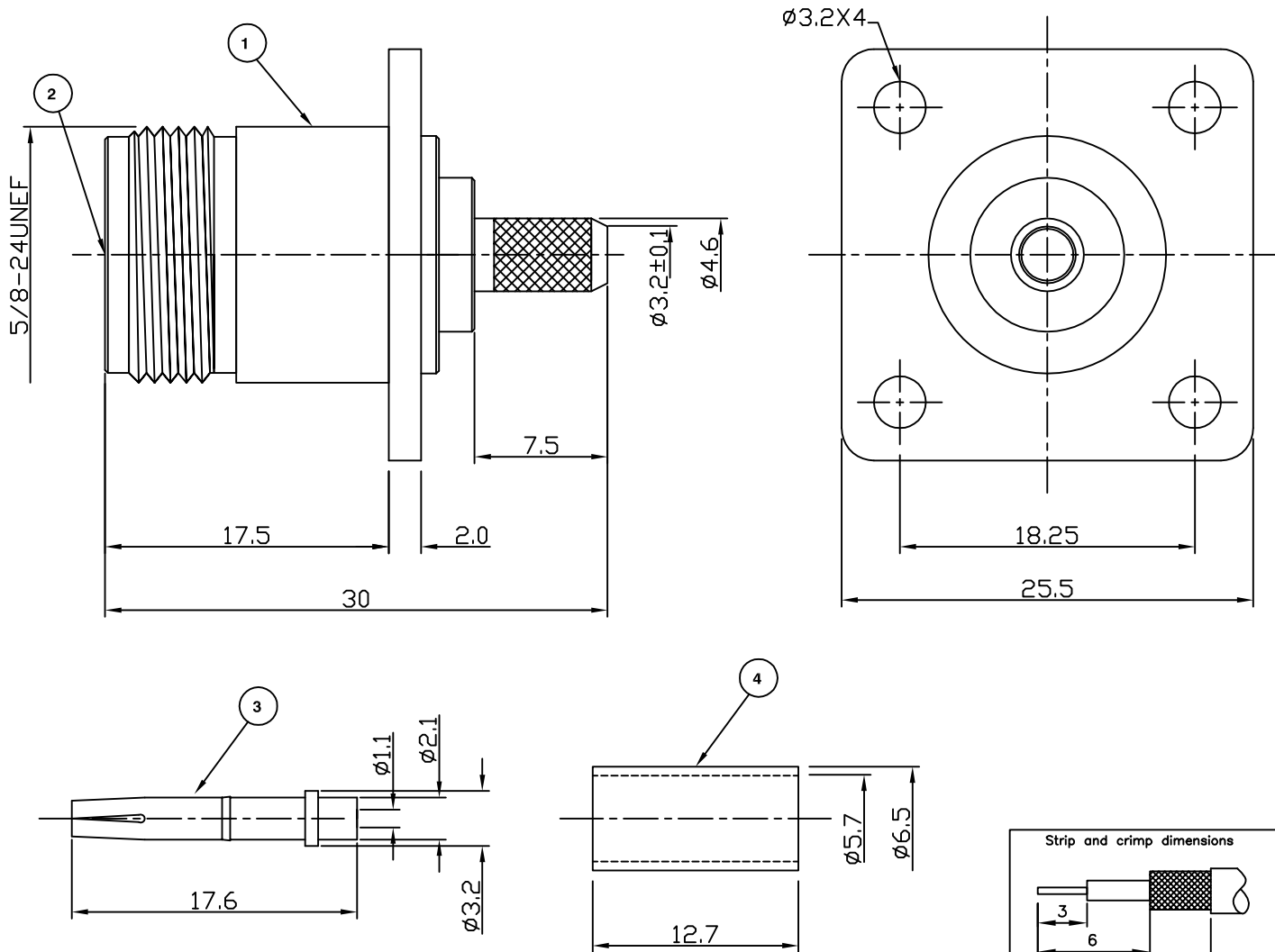


RoHS COMPLIANT



**Electrical Characteristics**

Nominal Impedance:	50 ohms
Frequency Range:	DC to 11 GHz
VSWR:	1.35:1 maximum
Insertion Loss:	0.17dB max
Operating Voltage (rms):	1500 V maximum at sea level
Dielectric Withstand Voltage (rms):	2500 V maximum at sea level
Contact Resistance:	1.0 milliohms maximum
Insulation Resistance:	5000 megohms minimum

**Mechanical Characteristics**

Mating Cycles:	500 cycles minimum
Interface Dimensions:	Conform to MIL-C-39012

**Environmental Characteristics**

Temperature Range:	-65 °C to +165 °C
--------------------	-------------------

PART	DESCRIPTION
1	Body Brass, nickel plated
2	Dielectric PTFE
3	Contact Brass, gold plated
4	Ferrule Brass, nickel plated

Address & RoHS Update	JT	3	25 Mar 10
Up Issued	MS	2	17 Jul 07
First Issue	SN	1	16 Apr 03
DESCRIPTION OF REVISION	APPVD	ISS	DATE

For stripping and assembly instructions see Drawing Number: VAIN5101



Cinch Connectivity Solutions  
7-13 Russel Way,  
Widford Industrial Estate,  
Chelmsford, Essex,  
CM1 3AA, UK.  
Tel: +44 (0) 1245 359515  
Fax: +44 (0) 1245 358938

SCALE: Not To Scale	DRAWN BY: M Spooner
DIMENSIONS: mm	CHECKED BY: B. Thomas
TOLERANCES: ± 0.2mm unless otherwise stated	APPROVED BY: M Spooner
	DATE: 17 Jul 07

TITLE:  
**N Crimp Flange Mount  
Jack for RG400, RG223**

PART NUMBER:  
**VN50-2050**

PAGE: 1 of 1