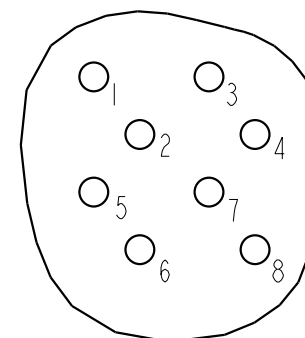
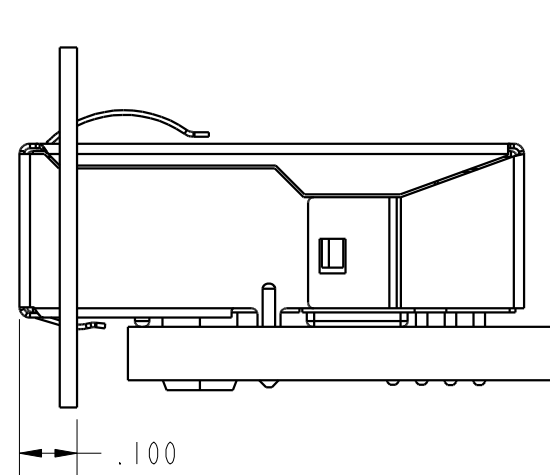
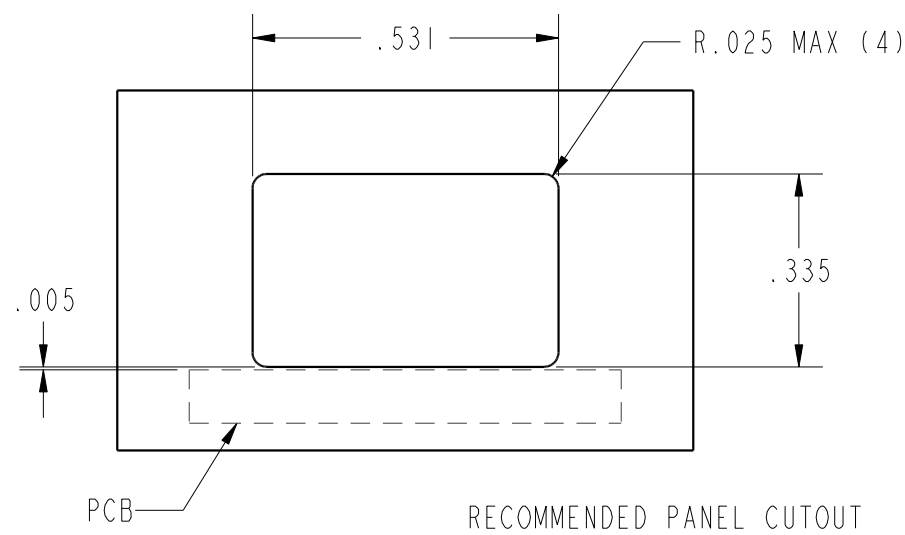
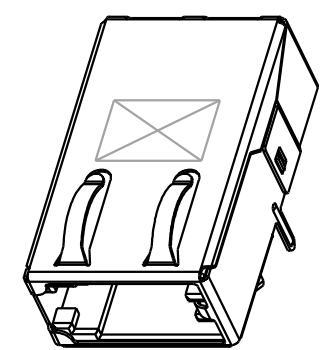


DATE	REV.	ECN	APP'D BY
2-23-15	A1	10263	ADB
3-30-16	A2	10654	TRM



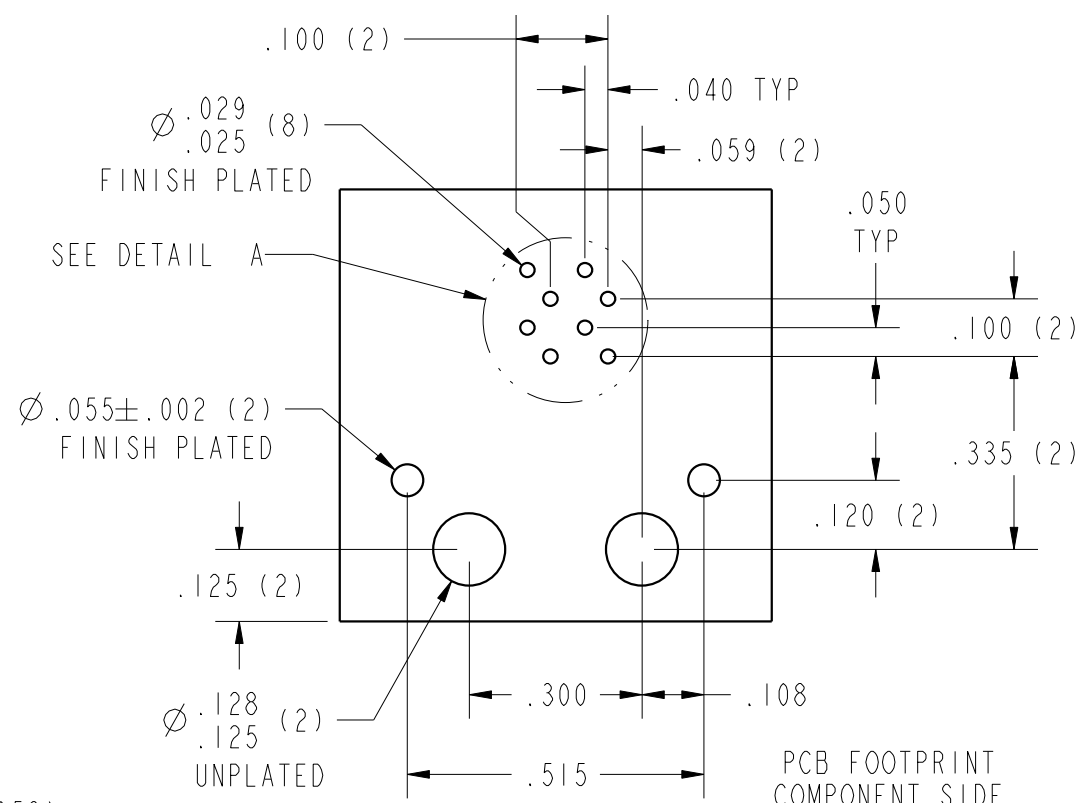
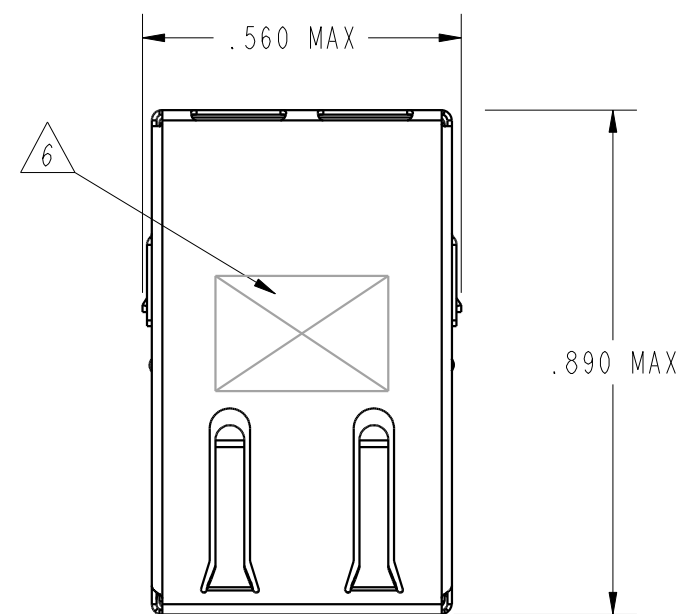
PINOUT NUMBERING  
DETAIL A  
SCALE 6.000



NOTES:

- CONNECTOR MATERIALS  
HOUSING: THERMOPLASTIC UL94 V-0  
CONTACTS/SHIELD: COPPER ALLOY  
SHIELD PLATING: NICKEL  
CONTACT PLATING: SELECTIVE GOLD OVER PALADIUM-NICKEL
- REFER TO PRODUCT SPECIFICATION PR036-01.
- WAVE SOLDER COMPATIBLE TO 260°C
- PoE+ CAPABLE
- SUGGESTED PANEL OPENING AND LOCATION IS INTENDED TO GIE USER THE ABILITY TO HAVE REASONABLE JACK/PANEL CLEARANCES, YET MAINTAIN GRUONDING CAPABILITY. THESE VARIABLES CAN BE ADJUSTED BUT MAY RESULT IN LOWER MATING FORCES OR TIGHTER ASSEMBLY TOLERANCES.

LOGO, PART NUMBER, AND DATE CODE LOCATED IN THIS APPROXIMATE AREA.

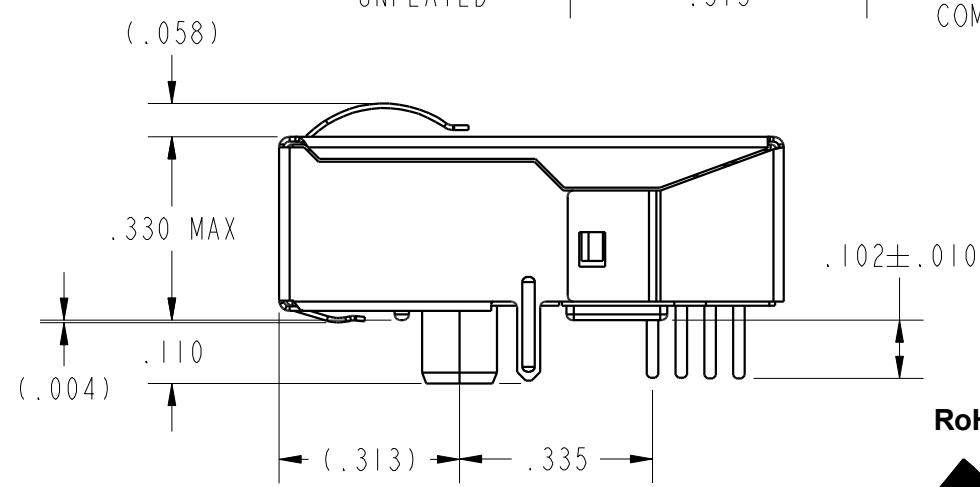
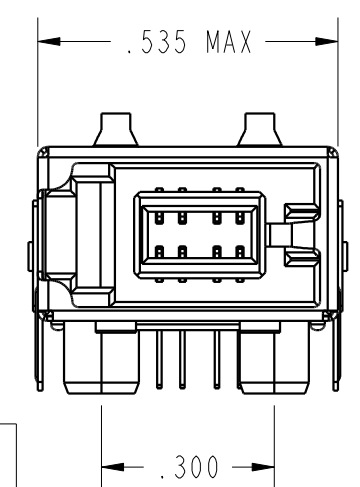


B

B

A

A



30 μIN Pd-Ni, FLASH Au	RJP5-10-0003
CONTACT PLATING IN MATING AREA	PART NUMBER

THIRD ANGLE PROJECTION	
DO NOT SCALE DRAWING	
DRAWING IS SUBJECT TO CHANGE WITHOUT NOTICE	
DIMENSIONS: INCHES [METRIC]	
UNLESS OTHERWISE SPECIFIED TOLERANCES ARE ±.005 [0.13] ANGLES ARE ±1°	
SHEET NO.	1 OF 1

**stewart** CONNECTOR a bel group  
 11118 Susquehanna Trail South  
 Glen Rock, PA 17327-9199  
 (717) 235-7512  
<http://www.stewartconnector.com>

RJ POINT FIVE, JACK, HORIZONTAL, SINGLE PORT, SHIELDED, PGI	
DRN BY: SAW	DATE 6-30-11
APPD BY: JLB	DATE 12-20-11
DWG. NO. CT999043	REV. A2

RJ POINT FIVE IS A TRADEMARK OF TE CONNECTIVITY USED HERE BY PERMISSION