

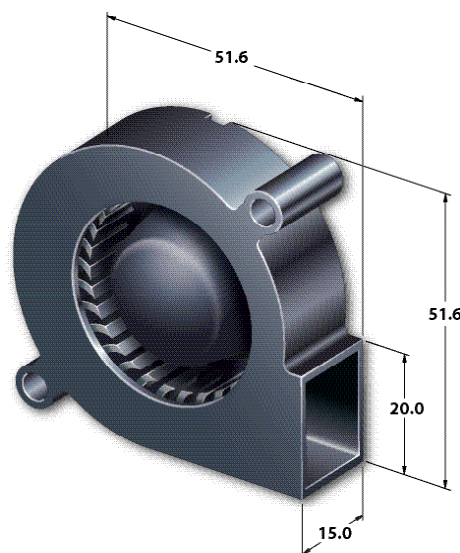
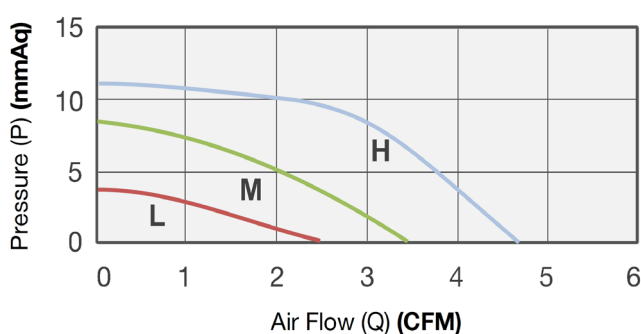
RB5015 Series

51 x 51 x 15mm (2.0 x 2.0 x 0.59 in)



- 5V, 12V, 24V
- Ball bearings
- 2.4 CFM to 4.4 CFM
- Lead Wires: UL (+) Red; (-) Black
- Operating temperature: -10°C ~ +70°C
- Operating life: 50,000 hours
- UL, cUL, CE Listed
- RoHS Compliant

Model Number	V	Range (V)	A	RPM	CFM	m ³ /min	mmAq	inH ₂ O	dBA
RBH5015B5	5	3.5~5.75	0.33	4500	3.8	0.11	11.3	0.44	37
RBM5015B5	5	3.5~5.75	0.22	4000	3.4	0.96	7.4	0.29	35
RBL5015B5	5	3.5~5.75	0.13	3000	2.4	0.07	3.5	0.14	26
RBH5015B	12	6.0~13.8	0.14	5000	4.4	0.12	11.5	0.45	41
RBM5015B	12	6.0~13.8	0.09	4000	3.4	0.96	7.4	0.29	35
RBL5015B	12	6.0~13.8	0.05	3000	2.4	0.07	3.5	0.14	26
RBH5015B2	24	12.0~27.6	0.12	5000	4.4	0.12	11.5	0.45	41
RBM5015B2	24	12.0~27.6	0.08	4000	3.4	0.96	7.4	0.29	35
RBL5015B2	24	12.0~27.6	0.05	3500	2.9	0.82	7.3	0.29	30



Optional Features	<input type="checkbox"/>	<input type="checkbox"/>	<input checked="" type="checkbox"/>	<input checked="" type="checkbox"/>	<input type="checkbox"/>	<input type="checkbox"/>	<input type="checkbox"/>	<input type="checkbox"/>	<input type="checkbox"/>	<input type="checkbox"/>	<input type="checkbox"/>	<input type="checkbox"/>	<input type="checkbox"/>	<input type="checkbox"/>	<input type="checkbox"/>
Inrush Current Protection															
Autostart															
Tachometer															
Rotation Detector															
Life Detection															
Over Voltage Protection															
VPWM															
IPWM															
PPWM															
TPWM															
RPWM															
Current Limit Control															
Constant Speed															
IP56															
IP67															