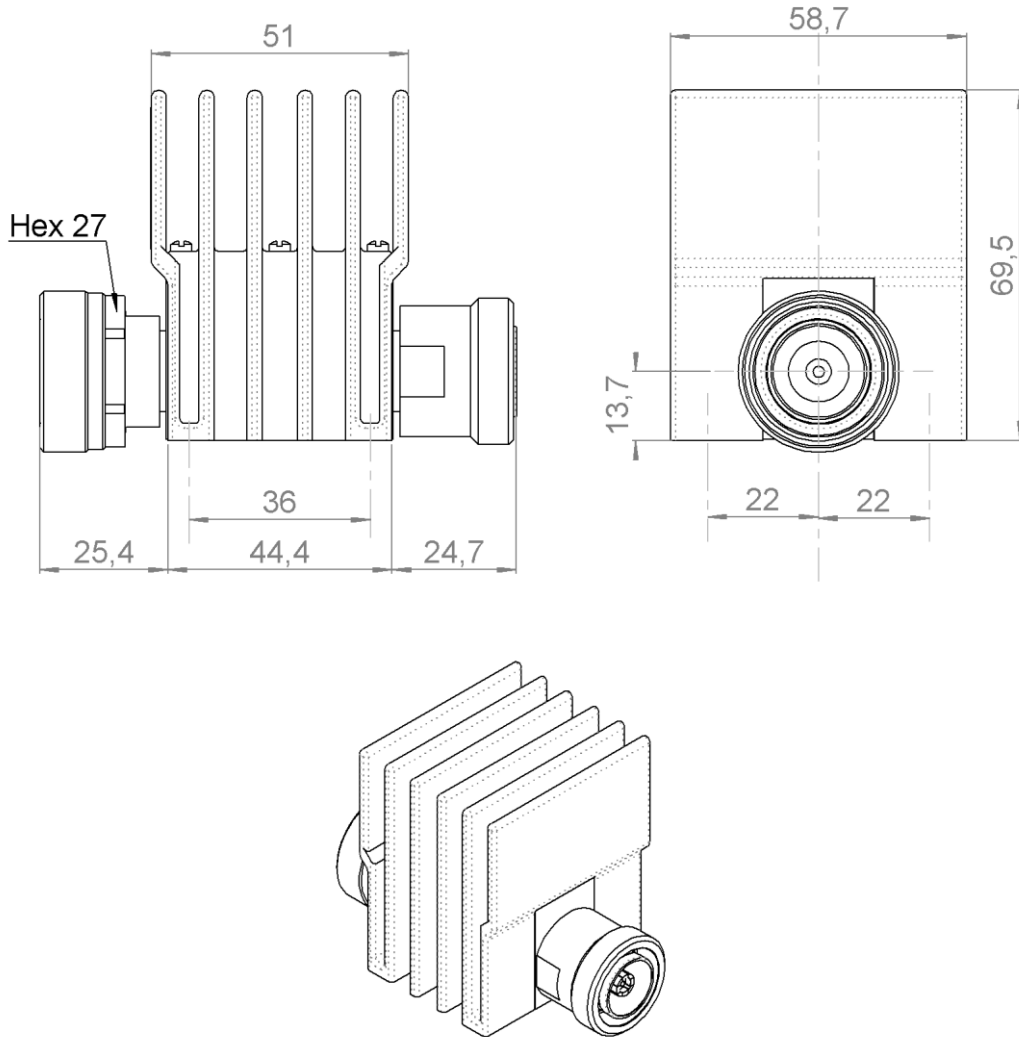
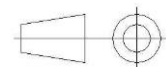


PAGE 1/2	ISSUE 04-09-18C	SERIES ATTENUATOR	PART NUMBER R420310110
----------	------------------------	-----------------------------	-------------------------------



All dimensions are in mm. Tolerances according ISO 2768 m-H



COMPONENTS	MATERIALS	PLATING (µm)
Body	BRASS	BBR 3
Male center contact	BRASS	GOLD 0.5 OVER NICKEL PHOSPHORUS 2
Female center contact	BERYLLIUM COPPER	GOLD 0.5 OVER NICKEL PHOSPHORUS 2
Outer contact	BRASS	BBR 0.5 OVER SILVER 5
Insulator	PTFE	
Gasket	SILICONE RUBBER	
Substrate	ALUMINA	
Resistor	THICK FILM	
Others parts	ALUMINIUM	BLACK ANODIZATION

PAGE 2/2	ISSUE 04-09-18C	SERIES ATTENUATOR	PART NUMBER R420310110
----------	------------------------	-----------------------------	-------------------------------

ELECTRICAL CHARACTERISTICS

Frequency (GHz)	DC 1	1 - 2	2 - 4
V.S.W.R (\leq)	1.15	1.25	1.35
Deviation(\pm dB)	0.60	0.60	0.60

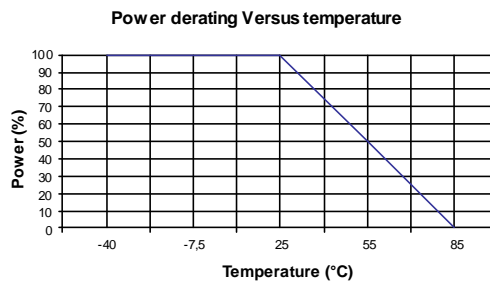
Operating Frequency Range	DC - 4	GHz
Impedance	50	Ω
Nominal Attenuation	10	dB
Peak power at 25°C (1 μ s, 1%)	5000	W
Average power at 25°C	25	W (Free Air Cooled)
		W (Conduction Cooled)

MECHANICAL CHARACTERISTICS

Connectors	7-16	Male Female	IEC 169-4
Weight	439,7900	g	

ENVIRONMENTAL CHARACTERISTICS

Operating temperature range	-40 / +85	$^{\circ}$ C
Storage temperature range	-40 / +85	$^{\circ}$ C


SPECIFICATION
OTHER CHARACTERISTICS