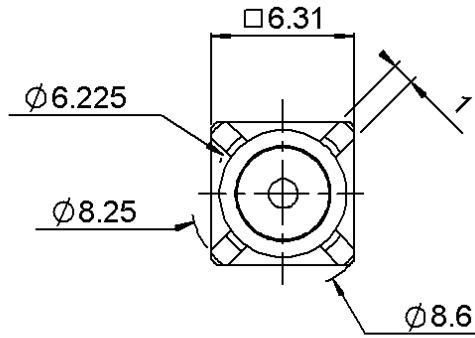


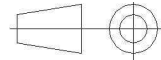
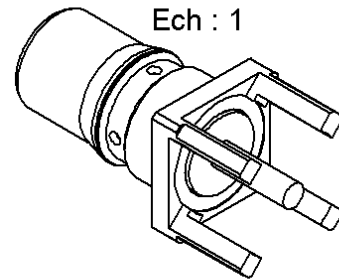
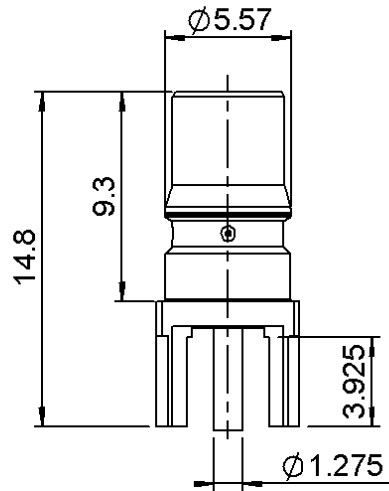
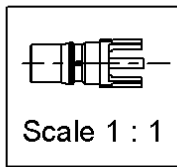
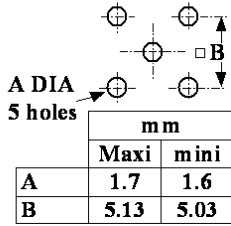
EMBASE A PLATINE POUR CI

R123.426.003

Series : QMA



PANEL CUT OUT



All dimensions are in mm.

| COMPONENTS | MATERIALS | PLATING (µm) |
|----------------|------------------|--------------|
| BODY | BRASS | NPGR |
| CENTER CONTACT | BERYLLIUM COPPER | NPGR |
| OUTER CONTACT | - | - |
| INSULATOR | PTFE | - |
| GASKET | - | - |
| OTHERS PARTS | - | - |
| - | - | - |
| - | - | - |

Issue : 0923 D

In the effort to improve our products, we reserve the right to make changes judged to be necessary.



EMBASE A PLATINE POUR CI

R123.426.003

Series : QMA

PACKAGING

SPECIFICATION

| Standard | Unit | Other |
|------------|-------------------|-------------------|
| 100 | 'W' option | Contact us |

ELECTRICAL CHARACTERISTICS

ENVIRONMENTAL

| | | |
|---------------------------------|----------------------|--------------------------|
| Impedance | 50 | Ω |
| Frequency | 0-6 | GHz |
| VSWR | 1.15 + 0,0000 | x F(GHz) Maxi |
| Insertion loss | 0.05 | \sqrt{F} (GHz) dB Maxi |
| RF leakage | - (80) | - F(GHz)) dB Maxi |
| Voltage rating | 500 | Veff Maxi |
| Dielectric withstanding voltage | 1000 | Veff mini |
| Insulation resistance | 5000 | M Ω mini |

| | | |
|-----------------------|-----------------|--------------|
| Operating temperature | -40/+105 | $^{\circ}$ C |
| Hermetic seal | NA | Atm.cm3/s |
| Panel leakage | NA | |

OTHER CHARACTERISTICS

Assembly instruction **NA**

Others :

Intermod.: -120dBc at 1.8GHz(2 x 20W)
RF leakage: Interf. only: $3 < F < 6$ GHz: >70dB

MECHANICAL CHARACTERISTICS

| | | |
|----------------------------|---------------|-------------|
| Center contact retention | | |
| Axial force – Mating end | 27 | N mini |
| Axial force – Opposite end | 27 | N mini |
| Torque | 2.8 | N.cm mini |
| Recommended torque | | |
| Mating | NA | N.cm |
| Panel nut | NA | N.cm |
| Mating life | 100 | Cycles mini |
| Weight | 1,4000 | g |

Issue : 0923 D

In the effort to improve our products, we reserve the right to make changes judged to be necessary.

