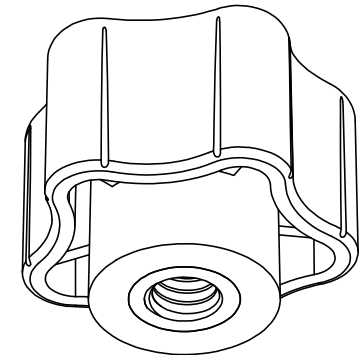
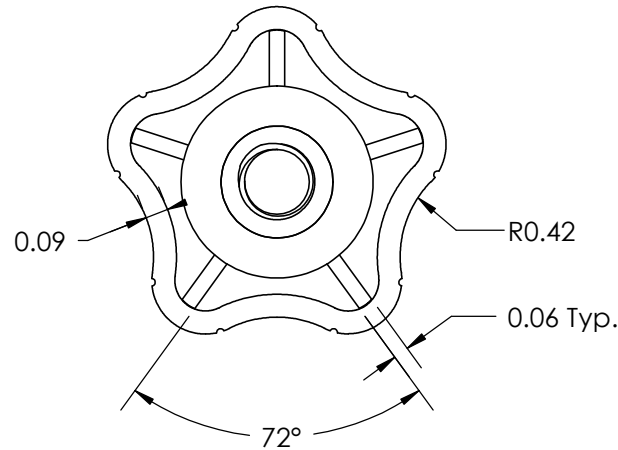
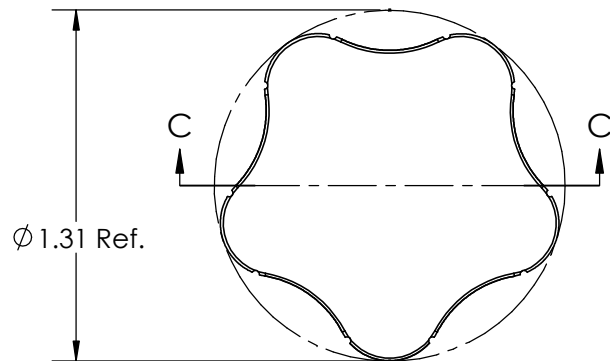
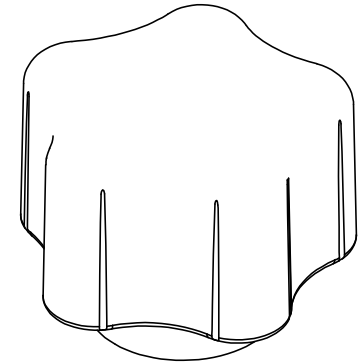


SECTION C-C
SCALE 2 : 1.5



FOR CUSTOMER APPROVAL ONLY				REV	BY	DATE	COMMENT	DIMENSIONS ARE IN INCHES		DRAWN	LQR	 INNOVATIVE COMPONENTS	
NAME:	0	MTO	08/31/06				RELEASE DATE	FRACTIONAL ±	APPROVED	LQR			PART NAME
TITLE:	1	JPA	DRAFT				CHANGED HUB HEIGHT FROM 0.18 TO 0.25	TWO PLACE DECIMAL ± 0.03	DATE	2/4/2019		1.37" Ergo Star Knob, With 5/16-18 Knurled Insert, Blind	
DATE:	2	GCC	10/01/15				CORRECTED INSERT PN	THREE PLACE DECIMAL ± 0.010	COMMENTS				PART NUMBER
SIGNATURE:	3	HOB	11/20/17				Adjusted Cavity pin Dimension	UNLESS OTHERWISE NOTED	Material Usage				DRAWING NUMBER
	4	JMA	2/4/19				Removed Cavity Pin to be Inner		0.0191 Pounds				KN5C----R2IB-22
PROPRIETARY AND CONFIDENTIAL								KNOB MATERIAL	KNOB FINISH	INSERT MATERIAL	SCALE 1:1	DRAWING NUMBER	
THE INFORMATION CONTAINED IN THIS DRAWING IS THE SOLE PROPERTY OF INNOVATIVE COMPONENTS. ANY REPRODUCTION IN PART OR AS A WHOLE WITHOUT THE WRITTEN PERMISSION OF INNOVATIVE COMPONENTS IS PROHIBITED.								Polypropylene, Black	Textured	Steel		KN5C---R2IB-22 R4	
								INSERT PART NUMBER	INSERT FINISH	Zinc & Yellow		SHEET 1 OF 1	
								NR5C0437750--22					

