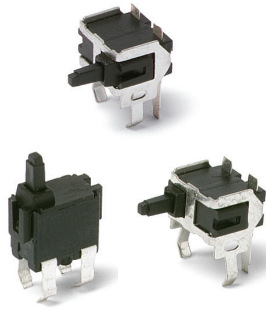


# DDS Series Micro Mini Thru-hole Detect Switches



## Features/Benefits

- Vertical or horizontal actuation
- 2mm overtravel—Ideal for detector applications
- Low actuations force (less than 40 grams)
- RoHS compliant and compatible

## Typical Applications

- Detect the presence of a mechanical device
- Medical devices
- Consumer electronic devices

## Specifications

CONTACT RATING: 0.1A @ 30 VDC.  
 MECHANICAL & ELECTRICAL LIFE: 50,000 cycles.  
 CONTACT RESISTANCE: 150 m  $\Omega$  max. initial.  
 INSULATION RESISTANCE: 100 M  $\Omega$  min. @ 100 VDC.  
 OPERATING TEMPERATURE: -40°C to +85°C.  
 DIELECTRIC STRENGTH: 100 volts AC @ 60 Hz.  
 PACKAGING: Bulk.

## Materials

HOUSING: P.P.S.  
 ACTUATOR: PA66  
 MOVABLE CONTACT: Tin bronze, silver plated.

**NOTE:** Specifications and materials listed above are for switches with standard options. For information on specific and custom switches, consult Customer Service Center.

## How To Order

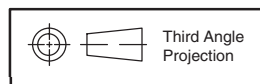
Part number list is shown below. For individual part details, please refer to the following pages.

Part Number (Part Description)	Product Details
DDS001	Micro mini thru-hole detect switches top actuated
DDS002	Micro mini thru-hole detect switches side actuated right
DDS003	Micro mini thru-hole detect switches side actuated left
DDS004	Micro mini SMT detect switches top actuated



m

Detect



Third Angle Projection

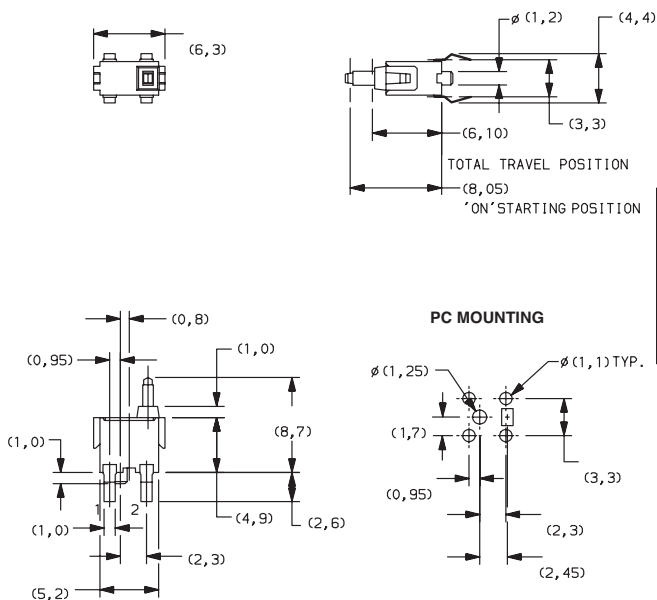
Dimensions are shown: mm  
 Specifications and dimensions subject to change

# DDS Series Micro Mini Thru-hole Detect Switches

Complete part numbers for DDS Series Switches are shown below.

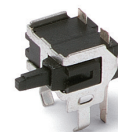
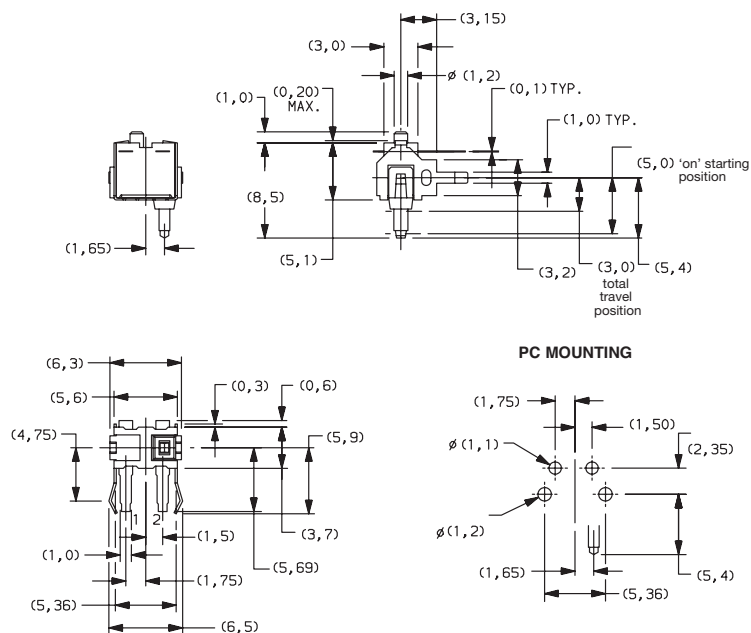


**DDS001  
SPST**

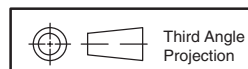


PART NUMBER	DESCRIPTION	SCHEMATIC
<b>DDS001</b>	Vertical Actuator	 SPST N.O.

PART NUMBER	DESCRIPTION	SCHEMATIC
<b>DDS002</b>	Right angle, actuator right	 SPST N.O.



**DDS002  
SPST**




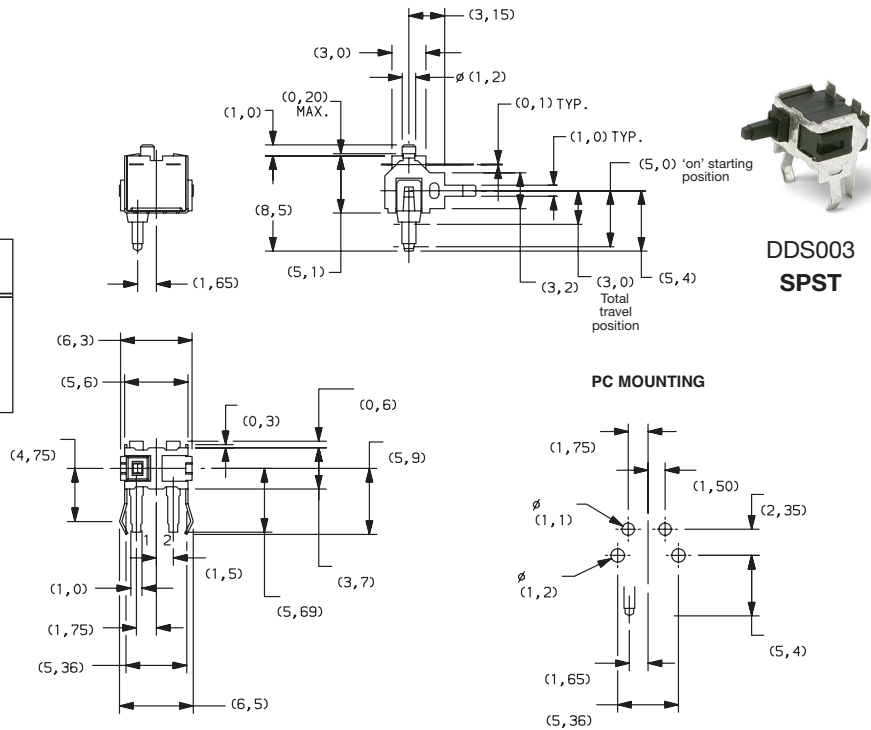
Third Angle Projection

Dimensions are shown: mm  
Specifications and dimensions subject to change



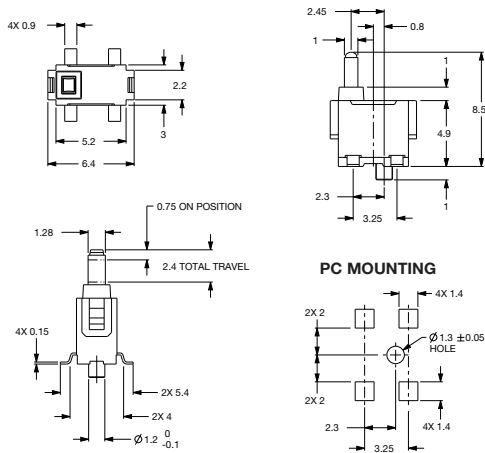
# DDS Series Micro Mini Thru-hole Detect Switches


PART NUMBER	DESCRIPTION	SCHEMATIC
<b>DDS003</b>	Right angle, actuator left	 SPST N.O.

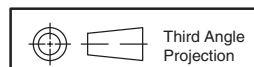


**DDS003  
SPST**

Detect



PART NUMBER	DESCRIPTION	SCHEMATIC
<b>DDS004</b>	Vertical actuator	 SPST N.O.



Dimensions are shown: mm  
Specifications and dimensions subject to change