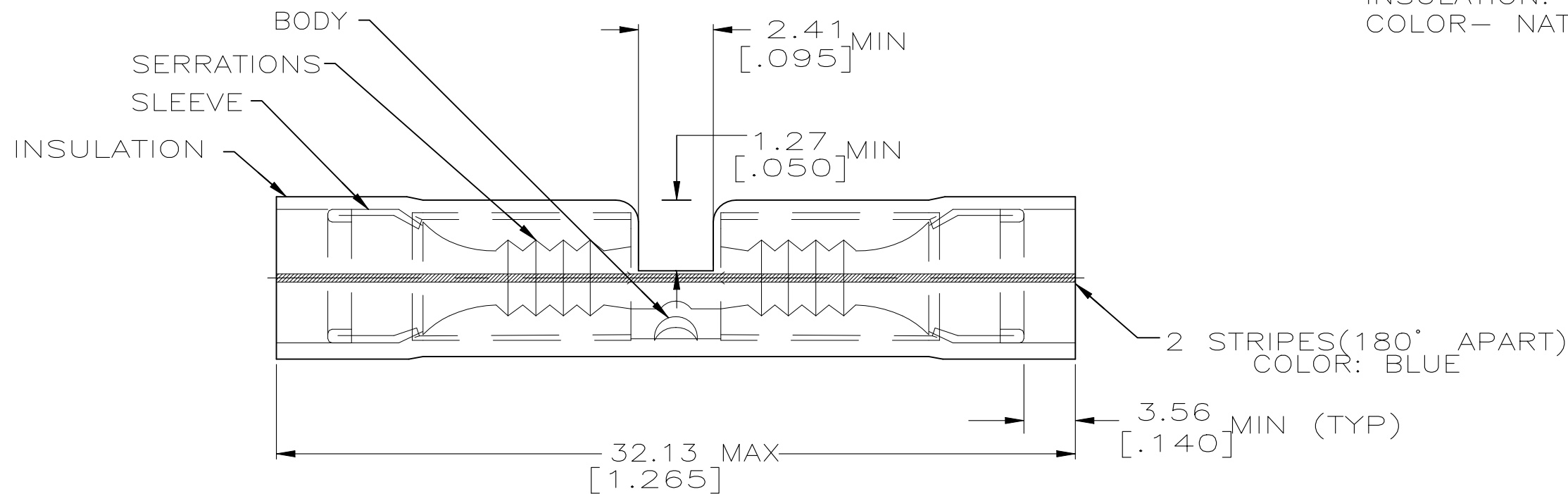


REVISIONS

P	LTR	DESCRIPTION	DATE	DWN	APVD
	M1	REV PER ECN-22-156403	03JUN2022	RK	CSD

AMP WIRE RANGE
16-14 AWG STRANDED

- 1 WIRE INSULATION DIA 2.67 [.105] TO 3.81 [.150].
- 2 FINISH: BODY AND SLEEVE: TIN/LEAD (93-7) PLATE PER ASTM B545. (3% MIN LEAD CONTENT)
- 3 MATERIAL: BODY AND SLEEVE, COPPER PER ASTM B152
INSULATION: PVF²
COLOR- NATURAL



-	50	LOOSE PIECE, BOX	8-53549-2
-	2500	ON TAPE	53549-2
M7928/6-4 CLASS 1	1000	LOOSE PIECE	53549-1
MILITARY PART NUMBER & CLASS PER MIL-T-7928	QTY	PACKAGE TYPE	PART NO.

AMP INCORPORATED CUSTOMER SERVICE SYSTEMS	
FOR ADDITIONAL PRODUCT INFORMATION OR COPIES OF DRAWINGS AND TECHNICAL DOCUMENTS	PRODUCT INFORMATION CENTER 1-800-522-6752
FOR APPLICATION TOOLING INFORMATION	TOOLING ASSISTANCE CENTER 1-800-722-1111
FOR ORDER ENTRY	1-800-526-5142

MAX RECOMMENDED OPERATING TEMPERATURE: 150°C
VOLTAGE RATING: -
CIRCULAR MIL AREA: 1.04-2.62mm ² [2,050-5,180] STRANDED

THIS DRAWING IS A CONTROLLED DOCUMENT.	
DIMENSIONS: MM [INCHES]	TOLERANCES UNLESS OTHERWISE SPECIFIED:
	0 PLC ± -
	1 PLC ± -
	2 PLC ± 0.20 [.008]
	3 PLC ± -
	4 PLC ± -
MATERIAL	ANGLES ± -
- 3	FINISH
	- 2

DWN S.S. GOULDEN 9-28-93	STE TE Connectivity	SPLICE, BUTT, PVF ² , P.I.D.G., WIRE SIZE: 16-14 AWG			
CHK R. HERSEY 9-28-93					
APVD M ELLIS 9-28-93					
PRODUCT SPEC 108-11023					
APPLICATION SPEC	NAME	SIZE	CAGE CODE	DRAWING NO	RESTRICTED TO
-	-	A3	00779	C-53549	-
WEIGHT	-	CUSTOMER DRAWING		SCALE	SHEET
-	-	1:1		1 OF 1	REV M1