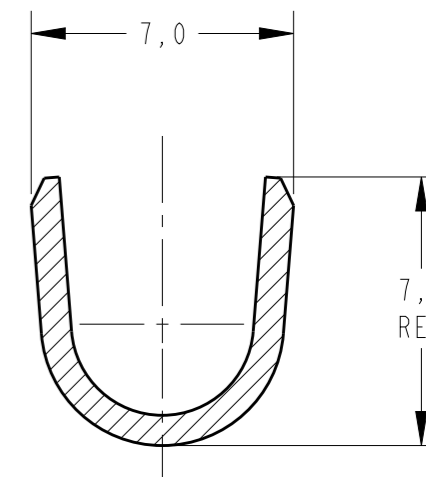
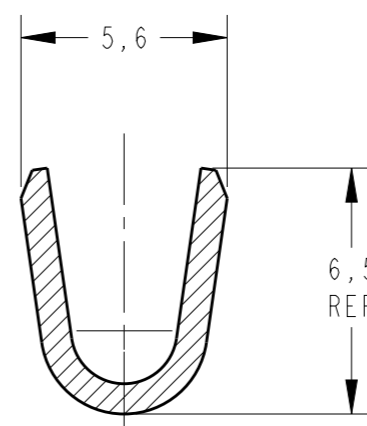
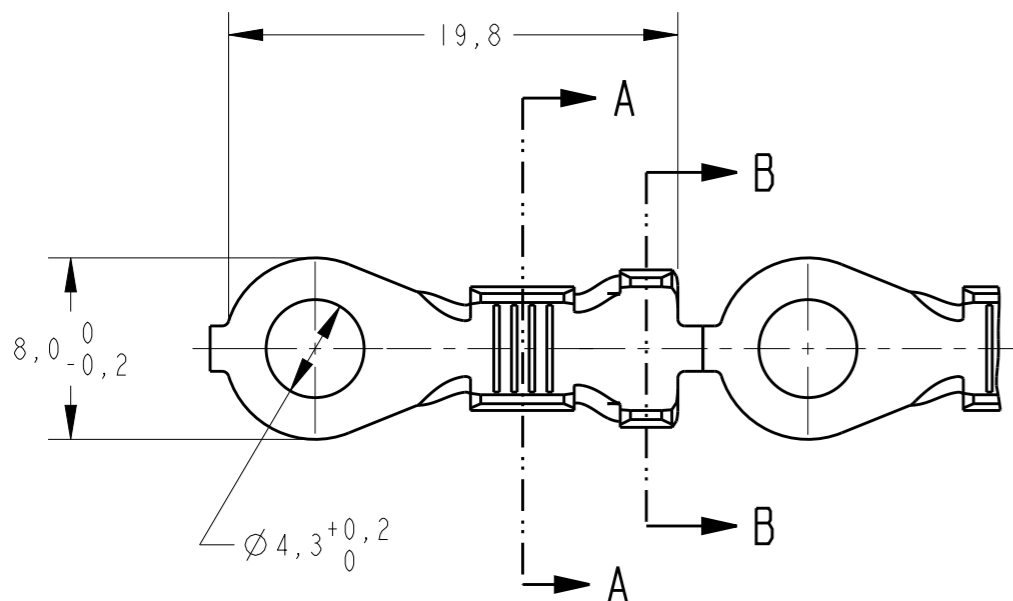


creo  
Creo Parametric 2.0  
DO NOT REUSE  
EXCEPT BY CAD

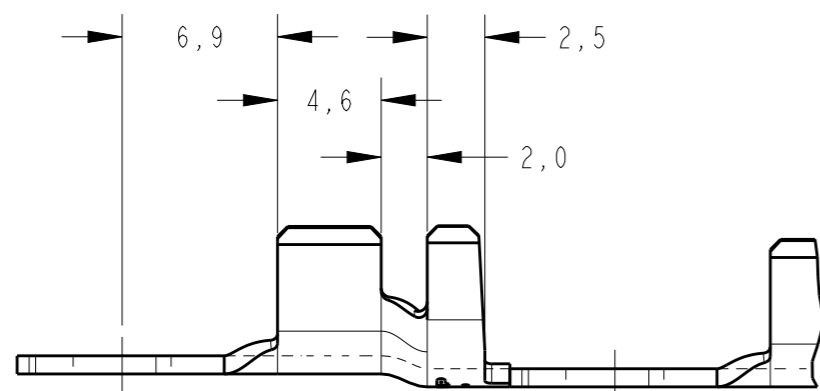
REVISIONS

P	LTR	DESCRIPTION	DATE	DWN	APVD
F		REDRAW BY CAD ECO-14-013530	08SEP2014	NCL	LWP
G		REV. BY ECO-14-018352	09DEC2014	HC	WLS



SECTION A-A  
SCALE 5:1

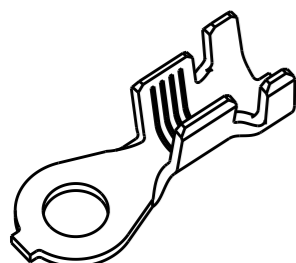
SECTION B-B  
SCALE 5:1




- 1 - BOBINAR COM PAPEL INTERCALADO
- REELING WITH PAPER INTERLEAVE

△ - OBSOLETE PARTS: OBSOLETE CIS STREAMLINING PER RENAUD/D.SINISI

3,2-5,3mm	4,0-6,0mm <sup>2</sup>	ESTANHADO / TIN PLATED	LATÃO / BRASS	626035-3 △
3,2-5,3mm	4,0-6,0mm <sup>2</sup>	ESTANHADO / TIN PLATED	LATÃO / BRASS	626035-2
—	—	—	LATÃO / BRASS	626035-1
INSUL RANGE	WIRE RANGE	FINISH	MATERIAL	PART NO



PERSPECTIVE VIEW  
SCALE 2:1

THIS DRAWING IS A CONTROLLED DOCUMENT.		DWN 08SEP2014 NCLAPRESA	 TE Connectivity	
DIMENSIONS: mm		CHK 08SEP2014 FCHRISTIANO		
TOLERANCES UNLESS OTHERWISE SPECIFIED:		APVD 08SEP2014 LWPRADO	NAME - RING TONGUE	
0 PLC ±-		PRODUCT SPEC	SIZE CAGE CODE DRAWING NO RESTRICTED TO	
1 PLC ±0,3		APPLICATION SPEC	A3 00779 C-626035	
2 PLC ±-		WEIGHT	SCALE 3:1 SHEET 1 OF 1 REV G	
3 PLC ±-		Customer Drawing		
4 PLC ±-				
ANGLES ±°				
MATERIAL SEE TABLE	FINISH SEE TABLE			