

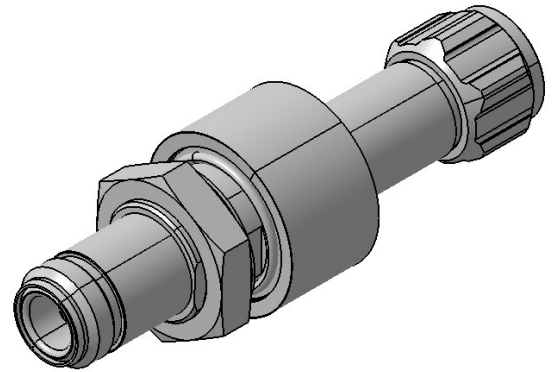
EMP Protector 3407.17.0085

Description

Quarter-wave stub technology with integrated high-pass filter

Benefits

Broad-band design
Space saving inline design
Compliant to IEC 61643-21



Product Configuration

| | |
|------------------------|---|
| Main path connectors | Port 1: <u>unprotected</u> , N plug (male) - Port 2: <u>protected</u> , N jack (female) |
| Mounting and grounding | MH170 (bulkhead mounting), brk (bracket) |
| Side of bulkhead | protected side |
| Design speciality | inline design |

Technical Data

Electrical Data

| | |
|-----------------|-----------------|
| Impedance | 50 Ω |
| Frequency range | 2000 - 6000 MHz |
| Return loss | ≥ 20 dB |
| Insertion loss | ≤ 0.2 dB |
| RF CW power | ≤ 300 W |
| PIM 3rd order | not specified |

| | |
|-----------------------------------|---|
| Surge current handling capability | 50 multiple kA (test pulse 8/20 μs) |
| Residual pulse energy | 0.0001 μJ typically (test pulse 4 kV 1.2/50 μs / 2 kA 8/20 μs) main path - protected side |

Mechanical Data

| | |
|-------------------|-------|
| Number of matings | 100 |
| Weight | 108 g |

Environmental Data

| | |
|--|--|
| Operating temperature | -40 °C to +85 °C |
| Waterproof degree | IP68 (according to IEC 60529, data refer to the coupled state) |
| 2011/65/EU (RoHS - including 2015/863 and 2017/2102) | compliant |

Material Data

| Piece Parts | Material | Surface Plating |
|-----------------------|------------------------|--|
| Housing | Aluminium | Chromatized |
| Port 1 center contact | Brass | Gold Plating (without Nickel underplating) |
| Port 2 center contact | Copper Beryllium Alloy | Gold Plating (without Nickel underplating) |

Related Documents

| | |
|----------------------|----------------|
| Outline drawing | DOU-00144797.1 |
| Mounting instruction | DOC-0000447876 |

Remarks

Recommendation: if this protector is mated with connectors made of copper-alloy base material and trimetal or nickel plating the connector area must be taped to improve long-term durability.

