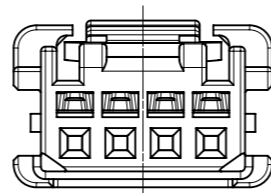
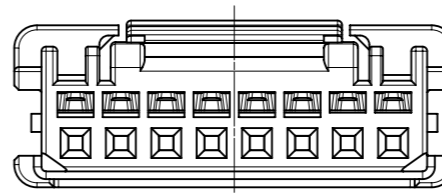


VIEW OF
2-3 CIRCUIT



VIEW OF
4-6 CIRCUIT



VIEW OF
7-8 CIRCUIT

NOTES

- △1 材料：TABLE 1 参照
MATERIAL：SEE TABLE 1
- △2 製品仕様書、アプリケーション仕様書、適合嵌合相手、適合端子はSHEET 2を御参照下さい
PLEASE REFER TO SHEET 2 FOR PRODUCT SPECIFICATION, APPLICATION SPECIFICATION, APPLICABLE MATED CONNECTOR, APPLICABLE TPA, APPLICABLE TERMINAL.
- △3 極数/2 = 偶数に適応
APPLY FOR CIRCUIT SIZE / 2 =EVEN
- 4. 本製品のプラスチック部に黒点・白点等が確認される場合や色合いが異なる場合がありますが、製品性能に影響はありません。
THERE IS NO INFLUENCE IN THE PRODUCT PERFORMANCE THOUGH THE BLACK AND WHITE SPOT ETC. MIGHT BE CONFIRMED TO THE PLASTIC PART OF THIS PRODUCT AND THE SHADE MIGHT BE DIFFERENT.
- △5 発注番号：SHEET 2 参照
ORDER No.：PLEASE REFER TO SHEET 2 FOR PRODUCT LIST.

212724 2***

極数 CIRCUIT SIZE	ハウジングカラー HOUSING COLOR
	0：NATURAL(BEIGE)
	1：BLACK

6. 本製品はGlow Wire適合バージョンです。
THIS PRODUCT IS A GLOW WIRE COMPLIANT VERSION.

14	19.4	8
12	17.4	7
10	15.4	6
8	13.4	5
6	11.4	4
4	9.4	3
2	7.4	2
B	A	極数 CIRCUIT SIZE

△1 TABLE1

部品 PART	材質 MATERIAL
ハウジング HOUSING	ポリアミド(PA),UL94V-0,色：SEE CHART POLYAMIDE(PA),UL94V-0,COLOR：SEE CHART
DOCUMENT STATUS	P1 RELEASE DATE 2021/04/23 08:14:35

THIS DRAWING CONTAINS INFORMATION THAT IS PROPRIETARY TO MOLEX ELECTRONIC TECHNOLOGIES, LLC AND SHOULD NOT BE USED WITHOUT WRITTEN PERMISSION		CURRENT REV DESC:		molex	
DIMENSION UNITS mm	SCALE NTS	EC NO: 658675 DRWN: KYAMADA02 2020/06/04 CHK'D: AIDA 2021/04/23 APPR: SAKIYAMA 2021/04/23			
GENERAL TOLERANCES (UNLESS SPECIFIED)		INITIAL REVISION:		DOCUMENT NUMBER	
ANGULAR TOL ± 3.0°	4 PLACES ± 0.2	DRWN: KYAMADA02 2020/06/04 APPR: SAKIYAMA 2021/04/23		2127240000-SD	
3 PLACES ± 0.2	2 PLACES ± 0.2	THIRD ANGLE PROJECTION		DOC TYPE	DOC PART
1 PLACE ± 0.2	0 PLACES ± 0.2	DRAWING		PSD	000
DRAFT WHERE APPLICABLE MUST REMAIN WITHIN DIMENSIONS		SERIES		REVISION	A
		A3-SIZE		SHEET NUMBER	
		212724		1 OF 2	
		MATERIAL NUMBER		CUSTOMER	
		SEE TABLE		GENERAL	

△ 適合製品及び各種仕様書

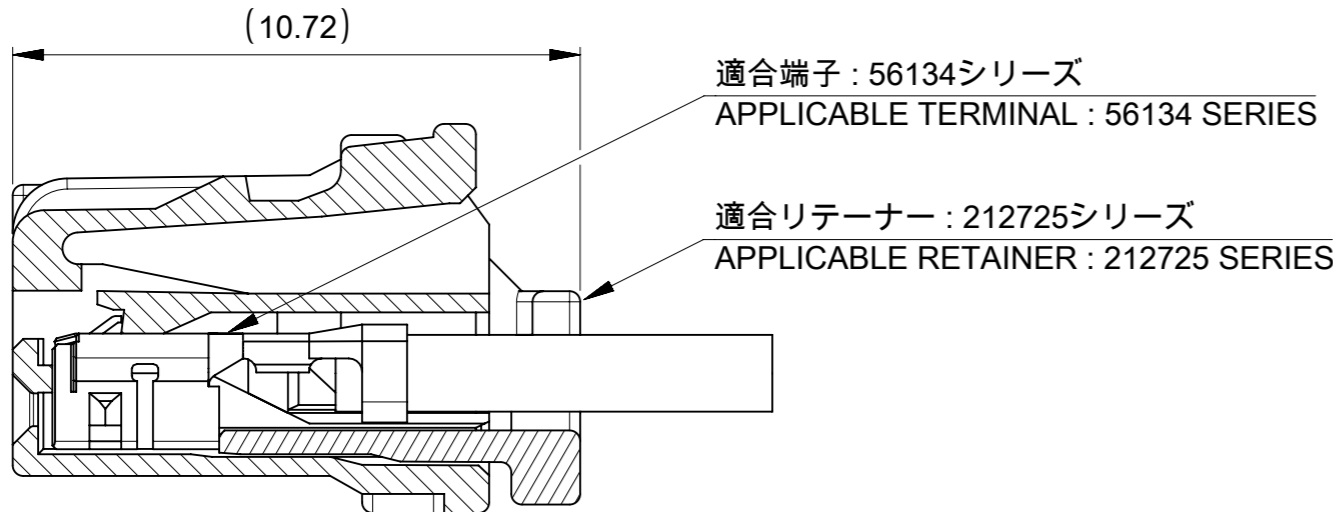
APPLICABLE PRODUCTS AND VARIOUS SPECIFICATIONS

梱包仕様書 PACKING SPECIFICATION	PART NUMBER	SPECIFICATION NUMBER
	2127242***	2127249200-SPK 000

適合端子 APPLICABLE TERMINAL	PART NUMBER	PLATING TYPE	WIRE SIZE(AWG)
	561349001	TIN	#22-#24
	561349002		#26-#28

嵌合相手 WITH MATE	SMT			
	TIN - BISMUTH PLATING			
	VERTICAL	VERTICAL (GIOW WIRE COMPLIANT)	RIGHT ANGLE	RIGHT ANGLE (GIOW WIRE COMPLIANT)
シリーズ番号 SERIES No.	205971	217063	205972	217064
適合リテーナー APPLICABLE RETAINER	SINGLE TYPE			
シリーズ番号 SERIES No.	212725			
製品仕様書 PRODUCT SPECIFICATION	2059790000-PS 000			
アプリケーション仕様書 APPLICATION SPECIFICATION	2059790000-AS 000			

製品嵌合図は各嵌合相手図面参照のこと
MATING VIEW:REFER TO EACH "MATE WITH" PART DRAWING.



ターミナル及びリテーナー装着状態図
TERMINAL AND RETAINER ASSEMBLY DRAWING

△ 製品一覧
PRODUCTS LIST

HOUSING COLOR		極数 CIRCUIT SIZE
BLACK	NATURAL (BEIGE)	
2127242081	2127242080	8
↑ 2071	↑ 2070	7
2061	2060	6
2051	2050	5
2041	2040	4
↓ 2031	↓ 2030	3
2127242021	2127242020	2
発注番号 : ORDER No.		極数 CIRCUIT SIZE
梱包形態 : ポリ袋 PACKAGE : POLYBAG		

THIS DRAWING CONTAINS INFORMATION THAT IS PROPRIETARY TO MOLEX ELECTRONIC TECHNOLOGIES, LLC AND SHOULD NOT BE USED WITHOUT WRITTEN PERMISSION										
DIMENSION UNITS	SCALE	CURRENT REV DESC:								
mm	NTS	<div style="text-align: center;">molex</div> MICRO-ONE 2.0W/B TPA YTPPE RECEPTACLE HOUSING PRODUCT CUSTOMER DRAWING								
GENERAL TOLERANCES (UNLESS SPECIFIED)										
ANGULAR TOL	± 3.0 °									
4 PLACES	± 0.2									
3 PLACES	± 0.2									
2 PLACES	± 0.2									
1 PLACE	± 0.2	EC NO: 658675	2020/06/04		DOCUMENT NUMBER			DOC TYPE	DOC PART	REVISION
0 PLACES	± 0.2	DRWN: KYAMADA02	2021/04/23		2127240000-SD			PSD	000	A
DRAFT WHERE APPLICABLE MUST REMAIN WITHIN DIMENSIONS		THIRD ANGLE PROJECTION	DRAWING	SERIES	MATERIAL NUMBER	CUSTOMER		SHEET NUMBER		
			A3-SIZE	212724	SEE TABLE	GENERAL		2 OF 2		